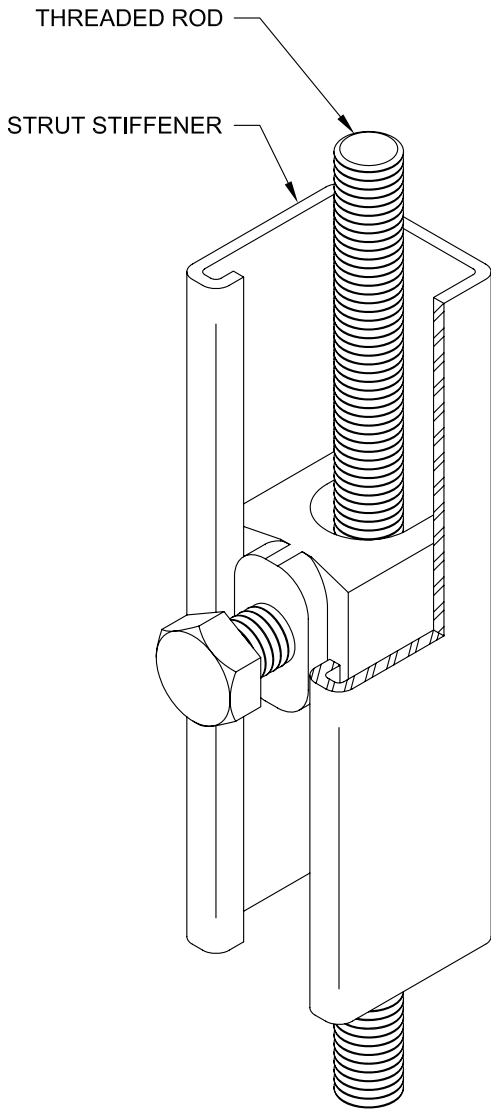
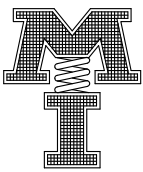
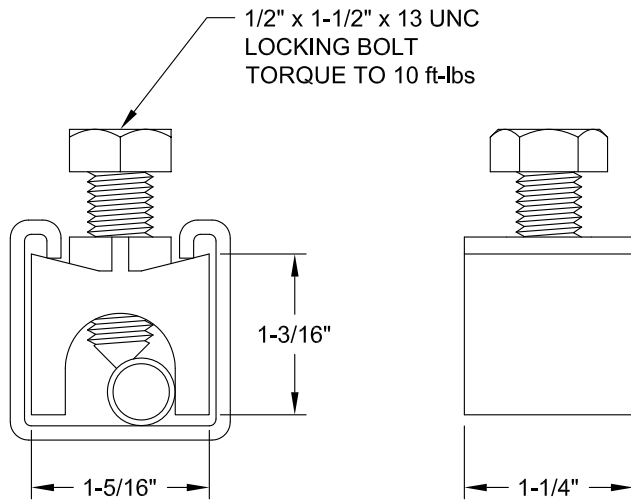


UCC - SEISMIC ROD CLAMPS FOR STRUT CHANNELS



TYPE UCC WITH STEEL STRUT ASSEMBLY RATINGS

Rod Size in (mm)	Maximum Compressive Force lbs (kN)	Strut Stiffener		Maximum UCC Spacing in (mm)
		Minimum Size in (mm)	Max Length in (mm)	
3/8 (10)	425 (1.9)	1 5/8 x 1 5/8 x 12 Gage (41 x 41 x 2.5)	96 (2438)	22 (559)
1/2 (13)	1275 (5.6)	1 5/8 x 1 5/8 x 12 Gage (41 x 41 x 2.5)	96 (2438)	31 (787)
	1200 (5.3)	1 5/8 x 1 5/8 x 12 Gage (41 x 41 x 2.5)	120 (3048)	31 (787)
5/8 (16)	1475 (6.5)	1 5/8 x 1 5/8 x 12 Gage (41 x 41 x 2.5)	96 (2438)	39 (991)
	1325 (5.9)	1 5/8 x 1 5/8 x 12 Gage (41 x 41 x 2.5)	120 (3048)	39 (991)
3/4 (19)	2500 (11.1)	1 5/8 x 1 5/8 x 12 Gage (41 x 41 x 2.5)	144 (3658)	48 (1212)



MASON INDUSTRIES, Inc.

Manufacturers of Vibration Control Products

NY Mailing Address: PO Box 410, Smithtown, NY 11787

350 Rabro Drive Hauppauge, NY 11788 631/348-0282 FAX 631/348-0279 Info@Mason-Ind.com	2101 W. Crescent Ave., Suite D Anaheim, CA 92801 714/535-2727 FAX 714/535-5738 Info@MasonAnaheim.com
--	--

Page

X5C

Dhiru Mali
Structural Engineer
California SE No. 2811

A P P R O V E D

Fixed Equipment Anchorage

Office of Statewide Health Planning and Development



OPA-0349

on
January 16, 2009

Anthony R. Pike (916) 440-8470