



MASON INDUSTRIES, Inc.

Manufacturers of Vibration Control Products
 NY Mailing Address: PO Box 410, Smithtown, NY 11787
 350 Rabro Drive 2101 W. Crescent Ave., Suite D
 Hauppauge, NY 11788 Anaheim, CA 92801
 631/348-0282 714/535-2727
 FAX 631/348-0279 FAX 714/535-5738
 Info@Mason-Ind.com Info@MasonAnaheim.com

CERTIFIED FOR _____

JOB NAME : _____

CUSTOMER: _____

CUSTOMER P.O.: _____

MASON M.I.: _____

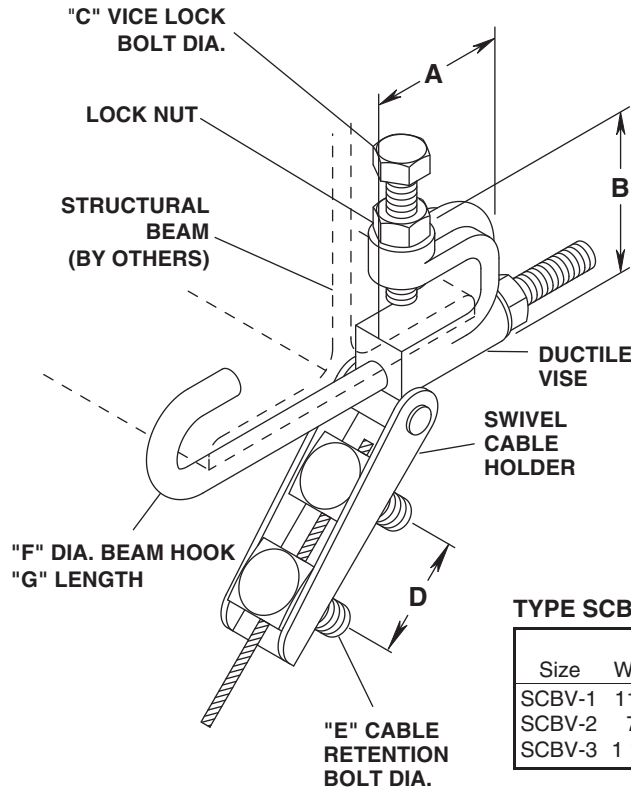
DWG. NO. : _____

TYPE

SCBV

Seismic Cable
 Brace Anchor
 & Assembly

The SCBV can be used with either an SCB or SCBH on the other end. Clamping to beam flanges eliminates drilling or welding and generally presents a cost savings.



TYPE SCBV ASSEMBLY RATING AS CONTROLLED BY CABLE BREAK STRENGTH

Size	Cable Diameter (in)	Cable Diameter (mm)	OSHPD Max Ratings	
			(lbs)	(kg)
SCBV-1	1/8	3	975	442
SCBV-2	3/16	5	2050	930
SCBV-3	1/4	6	3150	1429

Ratings are from test data and calculations used to obtain California OSHPD Preapproval Number OPA-0349

Testing was supervised and certified by an independent engineer registered in the state of California.

Ratings are based on attachment to steel.

Preferred installation angle is 45° Maximum variation ±15°.

NOTE: Not to be used as a vertical hanger for equipment, duct work or piping. To be used as a seismic restraint only.

TYPE SCBV ANCHOR DIMENSIONS (inches)

Size	Width	Clearance	Depth	A	B	C	D	E	F	G	Beam Flange	
											Width	Range
SCBV-1	11/16	13/16	1 5/16	1 7/8	2 3/8	7/16	1 1/2	1/2	3/8	10	3 1/2-	8 1/2
SCBV-2	7/8	1 1/16	1 1/16	2 7/8	3	1/2	1 3/4	5/8	3/8	12	3 1/2-	10
SCBV-3	1 1/16	1 1/8	1 15/16	3 3/8	3 3/4	5/8	2	3/4	1/2	12	4-9	1/2

TYPE SCBV ANCHOR DIMENSIONS (mm)

Size	Width	Clearance	Depth	A	B	C	D	E	F	G	Beam Flange	
											Width	Range
SCBV-1	17	21	33	48	60	7/16	38	1/2	3/8	254	89-	216
SCBV-2	22	27	27	73	76	1/2	44	5/8	3/8	305	89-	254
SCBV-3	27	29	49	86	95	5/8	51	3/4	1/2	305	102-	241

TORQUE VALUES

Diameter	Torque Foot Pounds		Torque Kilogram-Meters	
	Minimum	Maximum	Minimum	Maximum
1/2"	25	29	3.5	4.1
5/8"	45	52	6.3	7.3
3/4"	55	64	7.7	9.0

APPROVED

California Office of Statewide
 Health Planning and Development

FIXED EQUIPMENT ANCHORAGE
 OPA-0349 AUGUST 5, 2002



*Valid for 3 Years Maximum

Bill Staehlin (916) 654-3362

CERTIFICATION DATA

TAG : _____

UNIT: _____

DWN : _____ CHKD: _____ DATE : _____

DWG NO. : _____