



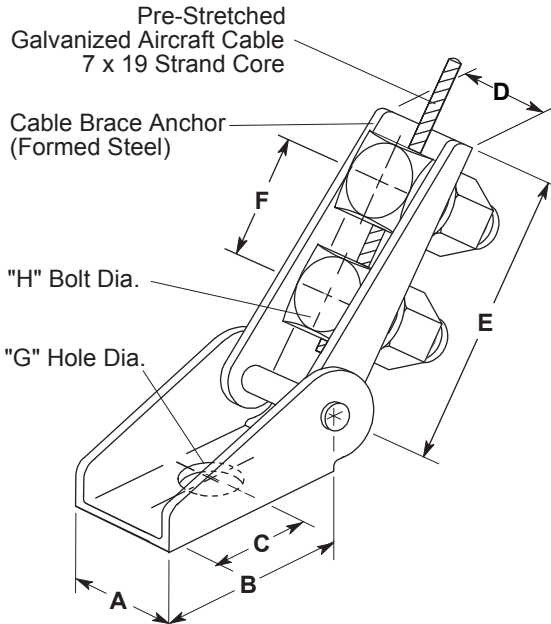
# MASON INDUSTRIES, Inc.

Manufacturers of Vibration Control Products  
 350 Rabro Drive 2101 W. Crescent Ave., Suite D  
 Hauppauge, NY 11788 Anaheim, CA 92801  
 631/348-0282 714/535-2727  
 FAX 631/348-0279 FAX 714/535-5738  
 Info@Mason-Ind.com Info@MasonAnaheim.com  
 www.Mason-Ind.com

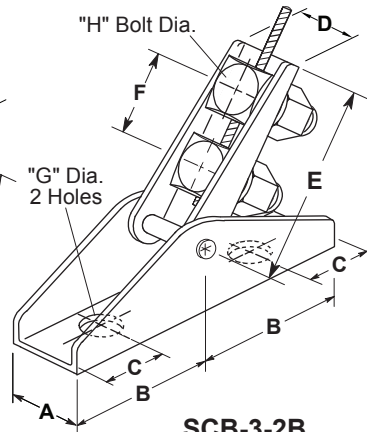
JOB NAME \_\_\_\_\_  
 CUSTOMER \_\_\_\_\_  
 CUSTOMER P.O. \_\_\_\_\_  
 MASON M.I. \_\_\_\_\_  
 DWG. NO. \_\_\_\_\_

# SCB

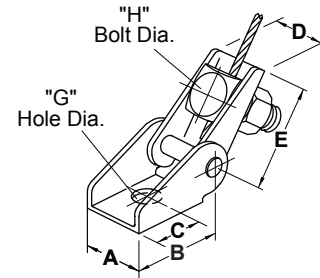
SEISMIC CABLE  
 BRACE ANCHOR  
 & ASSEMBLY



**SCB-1,2,3 & 4**



**SCB-3-2B**



**SCB-0**

Ratings are from test data and calculations used to obtain California OSHPD Preapproval Number OPA-0349.

Testing was supervised and certified by an independent engineer registered in the State of California.

Ratings are based on attachment to steel.

Preferred installation angle is 45°. Maximum variation ±15°.

NOTE: Not to be used as a vertical hanger for equipment, ductwork or piping. To be used as a seismic restraint only.

**TYPE SCB DIMENSION (in mm)**

Size	A	B	C	D	E	F	G	H
SCB-0	15/16 33	1 1/2 38	3/4 19	15/16 24	1 3/4 44	- -	7/16 11	1/2 13
SCB-1	1 3/8 35	2 51	1 25	15/16 24	3 3/8 86	1 1/2 38	9/16 14	1/2 13
SCB-2	1 5/8 41	2 3/4 70	1 3/8 35	1 3/16 30	4 3/8 111	1 3/4 44	1 1/16 17	5/8 16
SCB-3	2 51	3 1/2 89	1 3/4 44	1 7/16 37	4 3/4 121	2 51	13/16 21	3/4 19
SCB-3-2B	2 51	4 3/4 121	1 25	1 7/16 37	4 3/4 121	2 51	13/16 21	3/4 19
SCB-4	3 1/8 79	5 127	2 1/2 64	1 15/16 49	5 3/4 146	2 1/4 57	15/16 33	1 25

## APPROVED

California Office of Statewide  
 Health Planning and Development

**FIXED EQUIPMENT ANCHORAGE**

**OPA-0349 December 22, 2006**



*Anthony R. Pike*

Anthony R. Pike (916) 654-3362

**TYPE SCB ASSEMBLY RATINGS  
 AS CONTROLLED BY CABLE BREAKING STRENGTH**

Size	Cable Diameter		OSHPD Max. Ratings			Torque on Bolts		
	in	mm	lbs	kN	kg	ft-lbs	N-m	kg-m
SCB-0	1/16*	1.6	235	1.0	106	30	41	4.2
SCB-0	3/32*	2.4	460	2.1	208	30	41	4.2
SCB-0	3/32	2.4	500	2.2	227	30	41	4.2
SCB-1	1/8	3	975	4.3	442	25	34	3.5
SCB-2	3/16	5	2050	9.1	930	45	61	6.2
SCB-3 & -3-2B	1/4	6	3150	14.0	1429	55	75	7.6
SCB-4	3/8	10	6875	30.5	3119	200	271	27.6

\* 7 x 7 STRAND CORE

TYPE	QTY	TAG