

# MASON INDUSTRIES, Inc.

Manufacturers of Vibration Control Products

350 Rabro Drive 2101 W. Crescent Ave., Suite D  
 Hauppauge, NY 11788 Anaheim, CA 92801  
 Tel : 631/348-0282 Tel : 714/535-2727  
 Fax : 631/348-0279 Fax : 714/535-5738  
 Info@Mason-Ind.com Info@MasonAnaheim.com

# CABLE BRACING TO A CONCRETE DECK

DATE: 10/01/2008 DRAWING NO. WA-1117

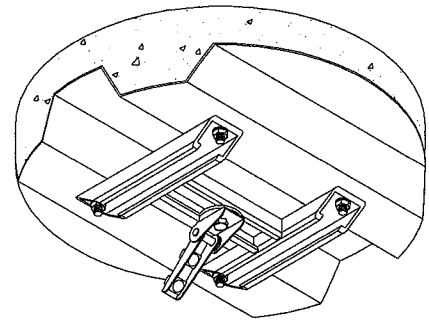
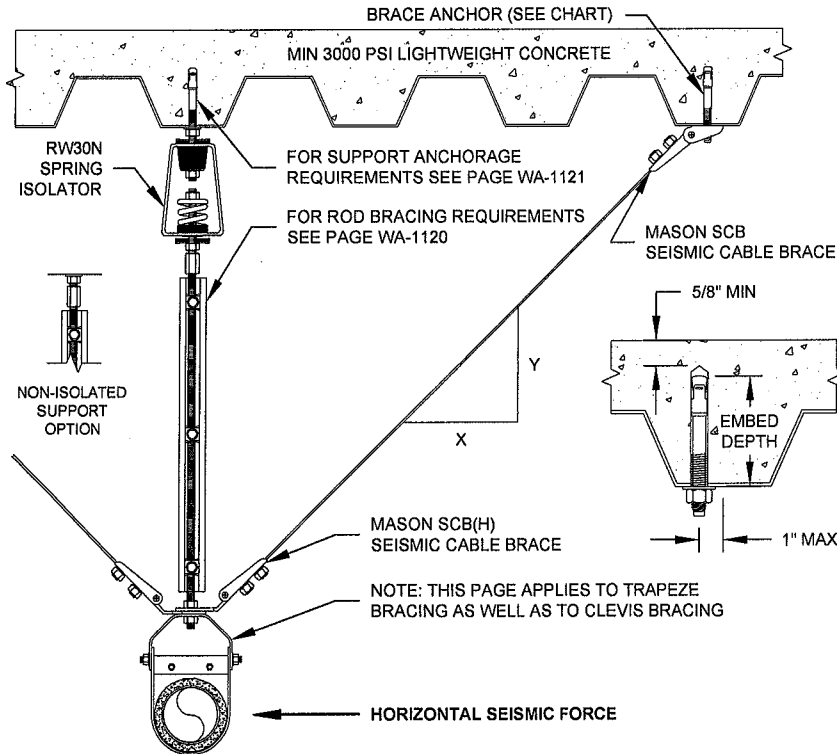


FIGURE 1  
(4) BOLT ATTACHMENT WITH SLDB-4000

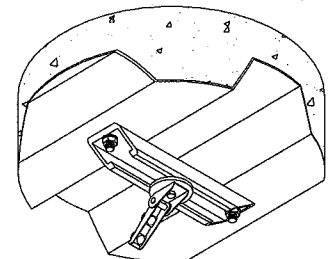


FIGURE 2  
(2) BOLT ATTACHMENT WITH SLDB-2000 OPTION A

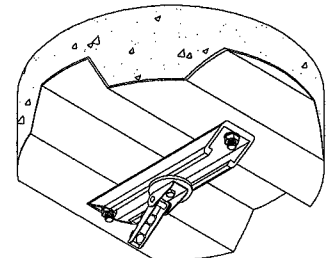


FIGURE 3  
(2) BOLT ATTACHMENT WITH SLDB-2000 OPTION B

### BRACE ATTACHMENT TO CONCRETE DECK AND ALLOWABLE LOADS

BRACE ANGLE RATIO (Y:X)	SCB/H-0		SCB/H-1		SCB/H-2	
	MAXIMUM HORIZONTAL SEISMIC FORCE (LBS)	REQUIRED EXPANSION ANCHOR <sup>1</sup>	MAXIMUM HORIZONTAL SEISMIC FORCE (LBS)	REQUIRED EXPANSION ANCHOR <sup>1</sup>	MAXIMUM HORIZONTAL SEISMIC FORCE (LBS)	REQUIRED EXPANSION ANCHOR <sup>1</sup>
2:1	174	SINGLE	290	SINGLE	506	SINGLE
1.5:1	238	HILTI	397	HILTI	668	HILTI
1:1	354	KB-TZ	601	KB-TZ	984	KB-TZ
1:1.5	374	3/8" Ø	811	1/2" Ø	1326	5/8" Ø
1:2	374	2-1/4"	872	3-5/8"	1326	4-1/2"
		EMBED		EMBED		EMBED

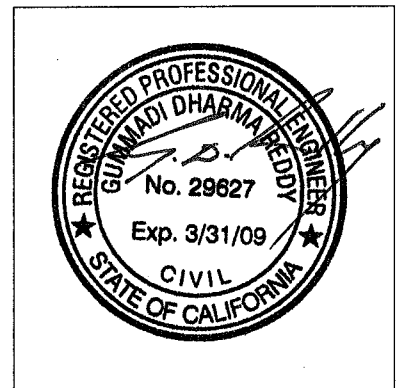
### BRACE ATTACHMENT TO CONCRETE DECK AND ALLOWABLE LOADS

BRACE ANGLE RATIO (Y:X)	SCB/H-2		SCB/H-3		SCB/H-4	
	MAXIMUM HORIZONTAL SEISMIC FORCE (LBS)	REQUIRED EXPANSION ANCHOR <sup>1</sup>	MAXIMUM HORIZONTAL SEISMIC FORCE (LBS)	REQUIRED EXPANSION ANCHOR <sup>1</sup>	MAXIMUM HORIZONTAL SEISMIC FORCE (LBS)	REQUIRED EXPANSION ANCHOR <sup>1</sup>
2:1	917	TWO <sup>2</sup>	1409	TWO <sup>3</sup>	2929	FOUR <sup>4</sup>
1.5:1	1137	HILTI	1747	HILTI	3555	HILTI
1:1	1423	KB-TZ	2227	KB-TZ	4519	KB-TZ
1:1.5	1423	5/8" Ø	2621	5/8" Ø	5518	5/8" Ø
1:2	1423	4-1/2"	2817	4-1/2"	6149	4-1/2"
		EMBED		EMBED		EMBED

NOTES:

- <sup>1</sup> EXPANSION ANCHORS CAN BE REPLACED WITH EMBEDDED BOLTS OF EQUAL DIAMETER AND EMBEDMENT.
- <sup>2</sup> THIS BRACE SHALL BE INSTALLED WITH AN SLDB-2000 AS SHOWN IN FIGURE 2 OR FIGURE 3
- <sup>3</sup> THIS BRACE SHALL BE INSTALLED WITH AN SLDB-2000 AS SHOWN IN FIGURE 3 ONLY (IN LINE WITH ANCHORS).
- <sup>4</sup> THIS BRACE SHALL BE INSTALLED WITH AN SLDB-4000 AS SHOWN IN FIGURE 1.

THE SLDB-2000 CAN BE INSTALLED ACROSS FLUTES OF THE DECK OR IN LINE WITH A SINGLE FLUTE.



DWN: AN CHKD: GR SCALE: NONE

DWG: WA-1117