

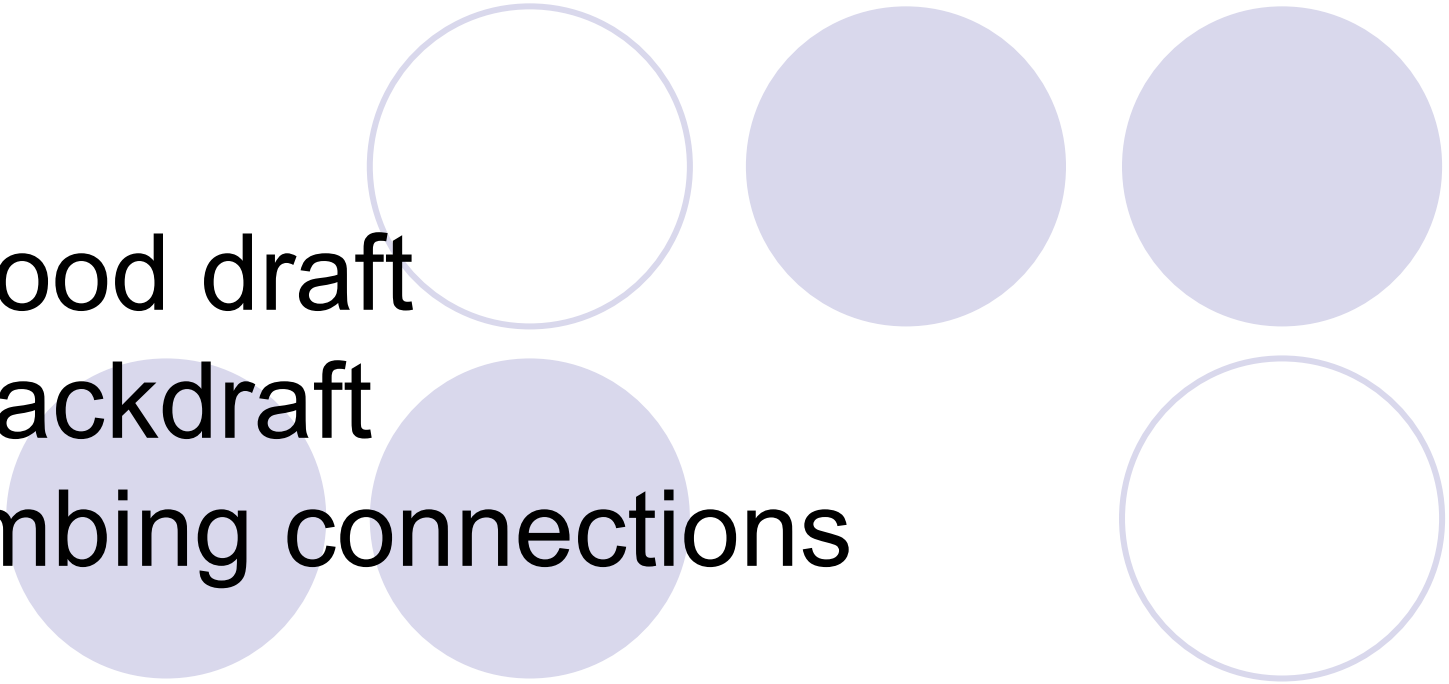
WB-6x5P

w/

6' hood draft

4' backdraft

plumbing connections



<for Hartnell College>

June 07, 2010

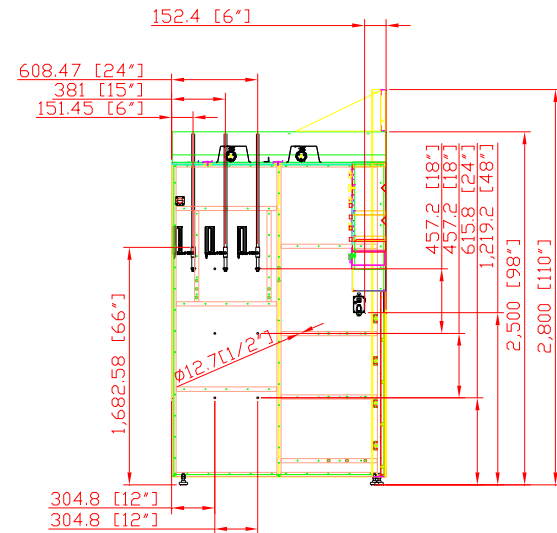
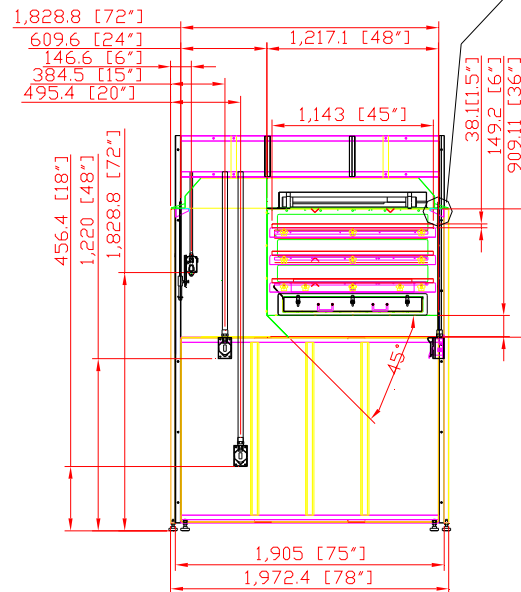
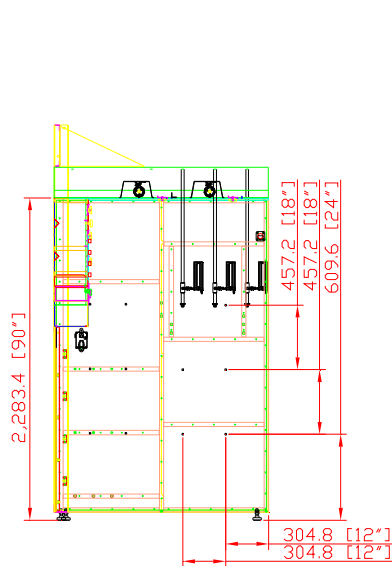
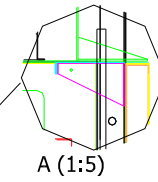
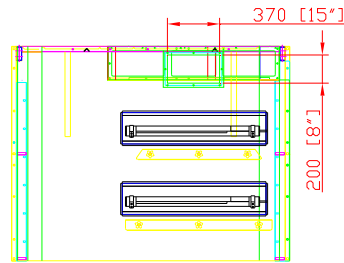
DO NOT SCALE

IF IN DOUBT ASK



Revisions

Rev	Description	Date	Approved
-----	-------------	------	----------



OSKAR ENVIRONMENTAL, INC.
 95 Cypress Drive
 Youngsville, NC 27596

Sales Department
 (919) 570-2862
 sales@oskarsales.com

	Date	Name	Part Number:	Title:
Drawn by:	2010-06-07	XXXXX	**	WB-6x5P (Hartnell)
Checked by:				
This drawing is confidential and is the exclusive property of Oskar Environmental. No unauthorized use/copy or disclosure is to be made and it is returned whenever required.				

Size
A

Scale
1 = 40

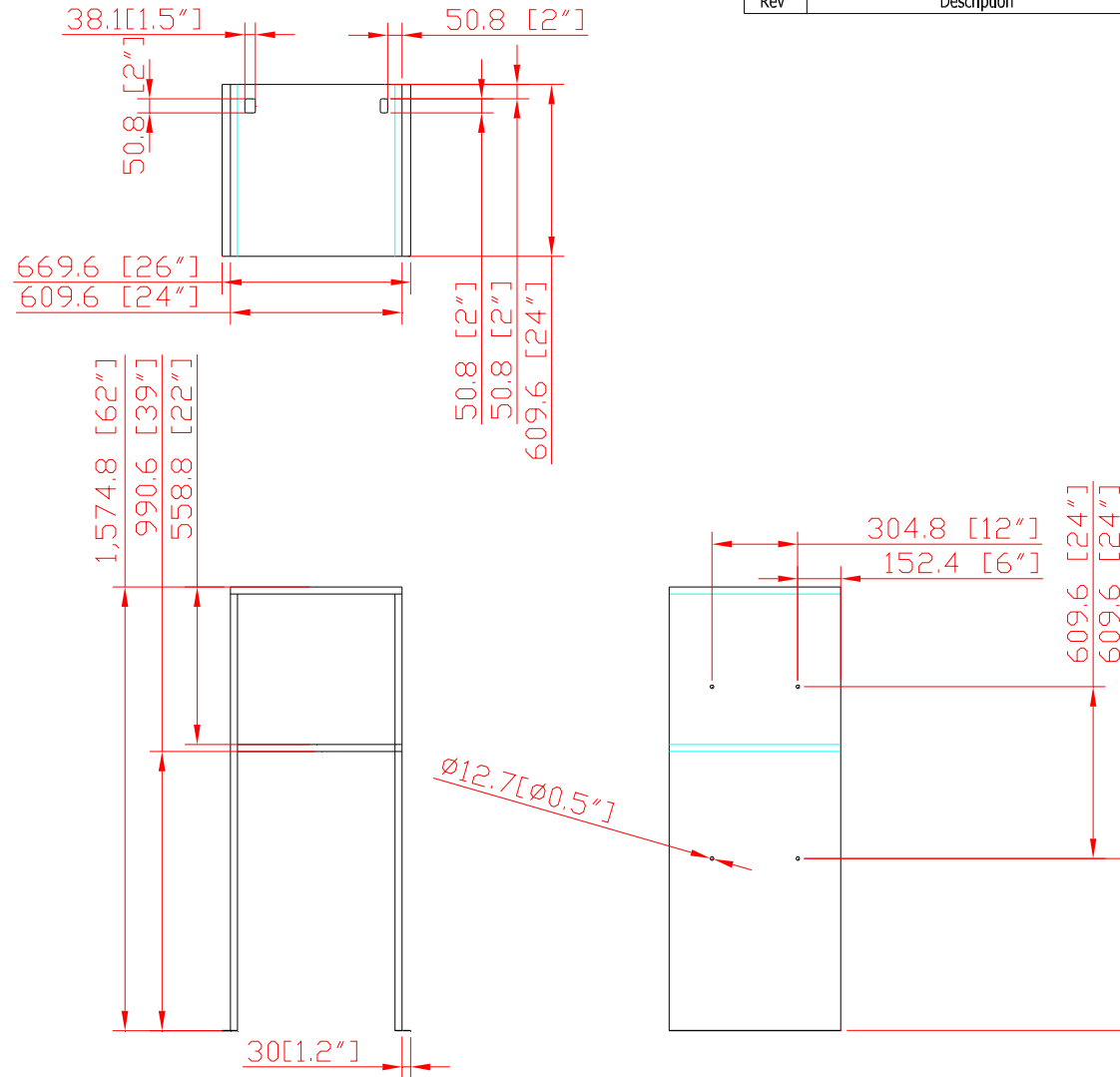
Drawing Number:
WB-6-5P-99607

DO NOT SCALE

IF IN DOUBT ASK



Revisions			
Rev	Description	Date	Approved



OSKAR ENVIRONMENTAL, INC.
 95 Cypress Drive
 Youngsville, NC 27596

Sales Department
 (919) 570-2862
 sales@oskarsales.com

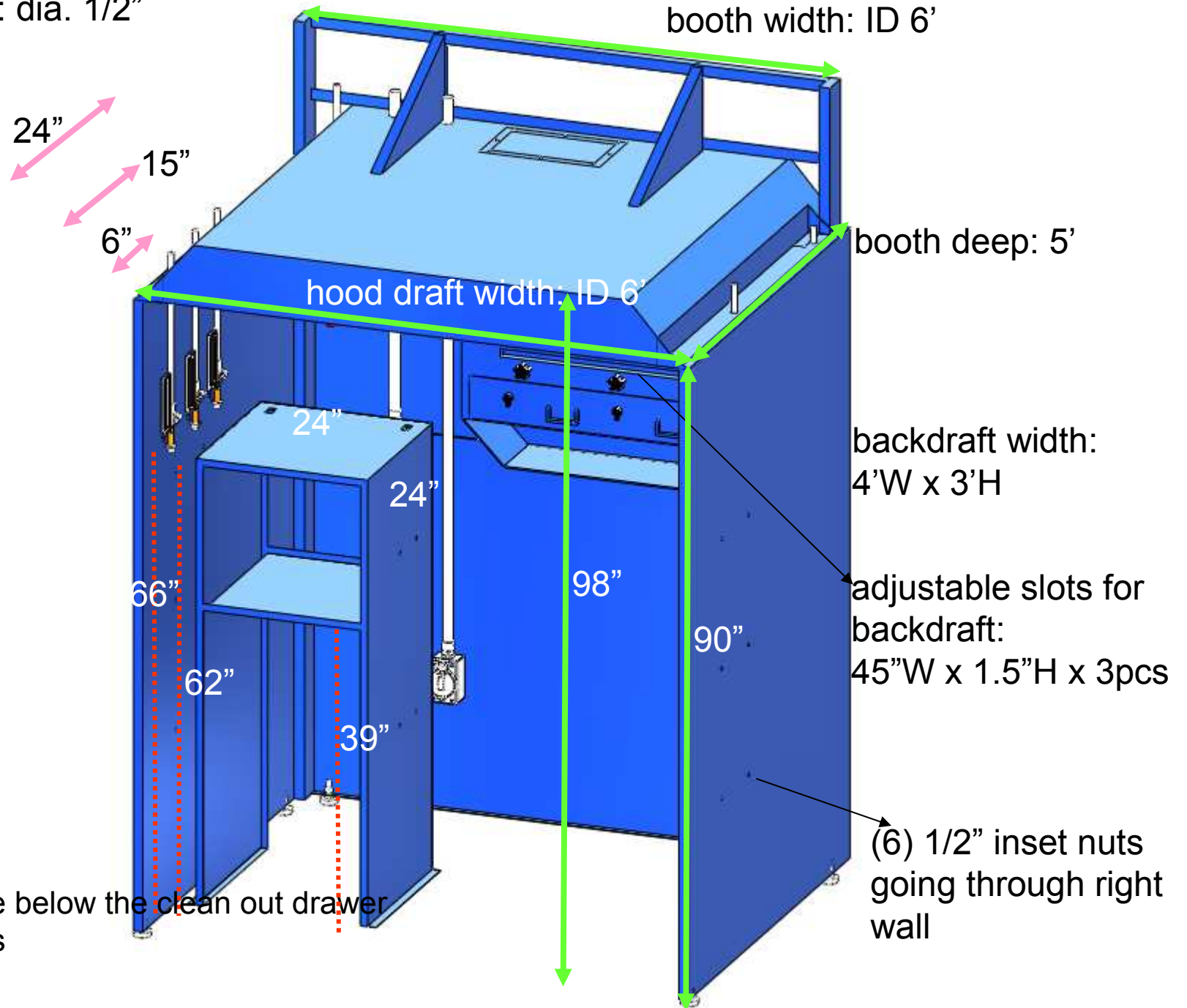
Drawn by:	Date	Name	Part Number:
Checked by:	2010-06-07	XXXXX	**

Title: **WB-6x5P (Hartnell)**

This drawing is confidential and is the exclusive property of Oskar Environmental. No unauthorized use/copy or disclosure is to be made and it is returned whenever required.

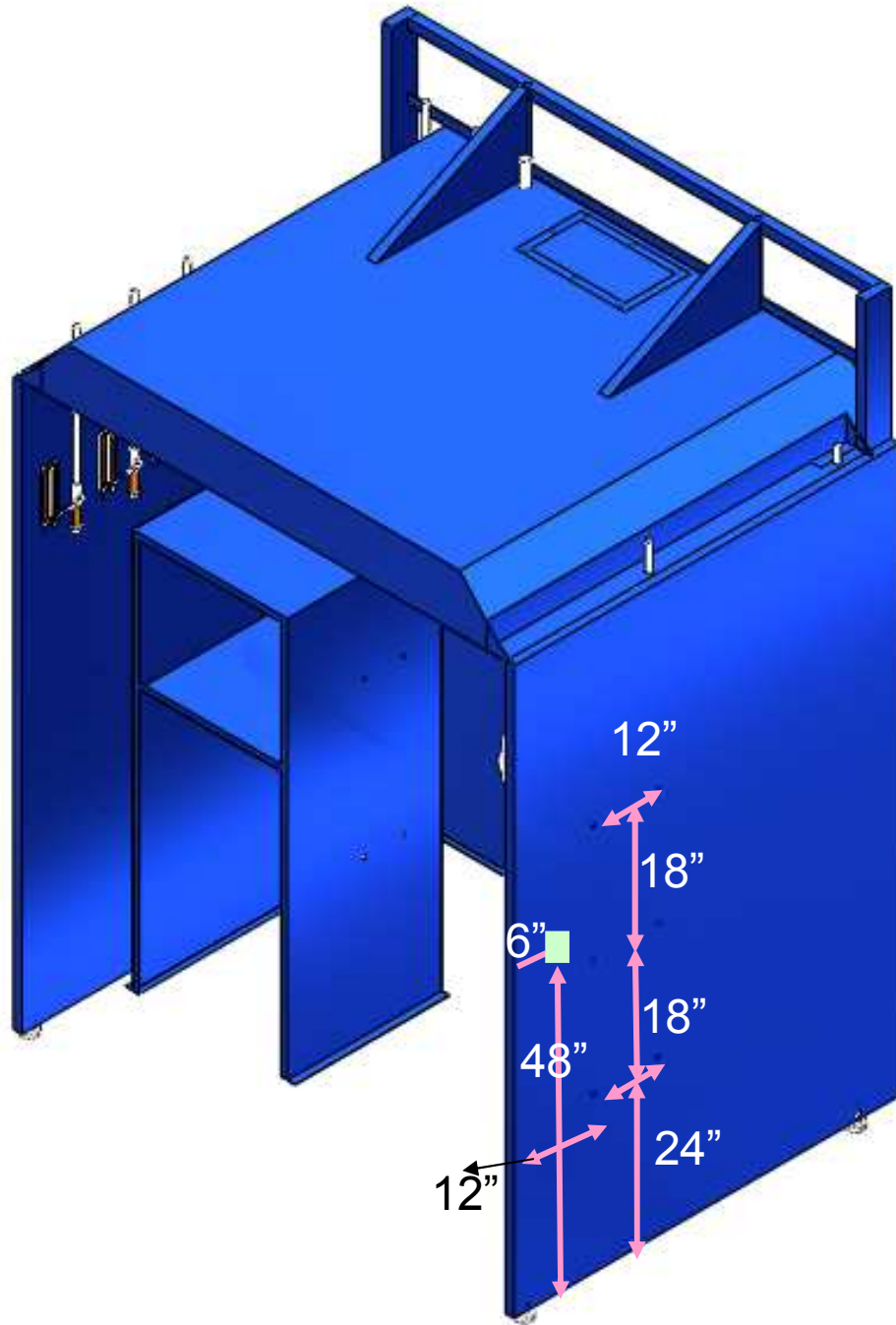
Size	Scale	Drawing Number:
A	1 = 20	WB-6-5P-990607-1

gas lines: dia. 1/2"

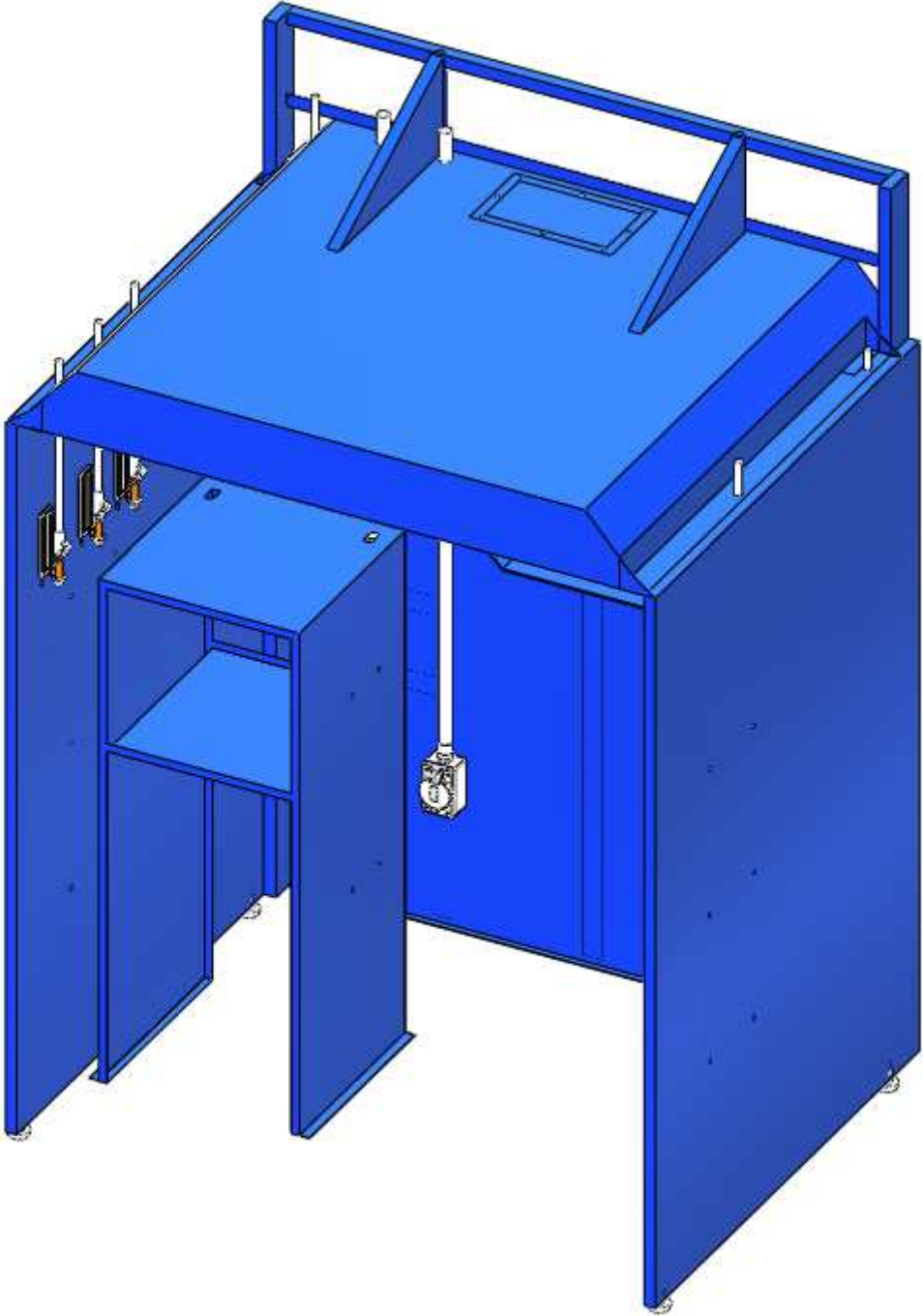


with :

- 6" height shelve below the clean out drawer
- Recessed lights
- Light switch
- outlet

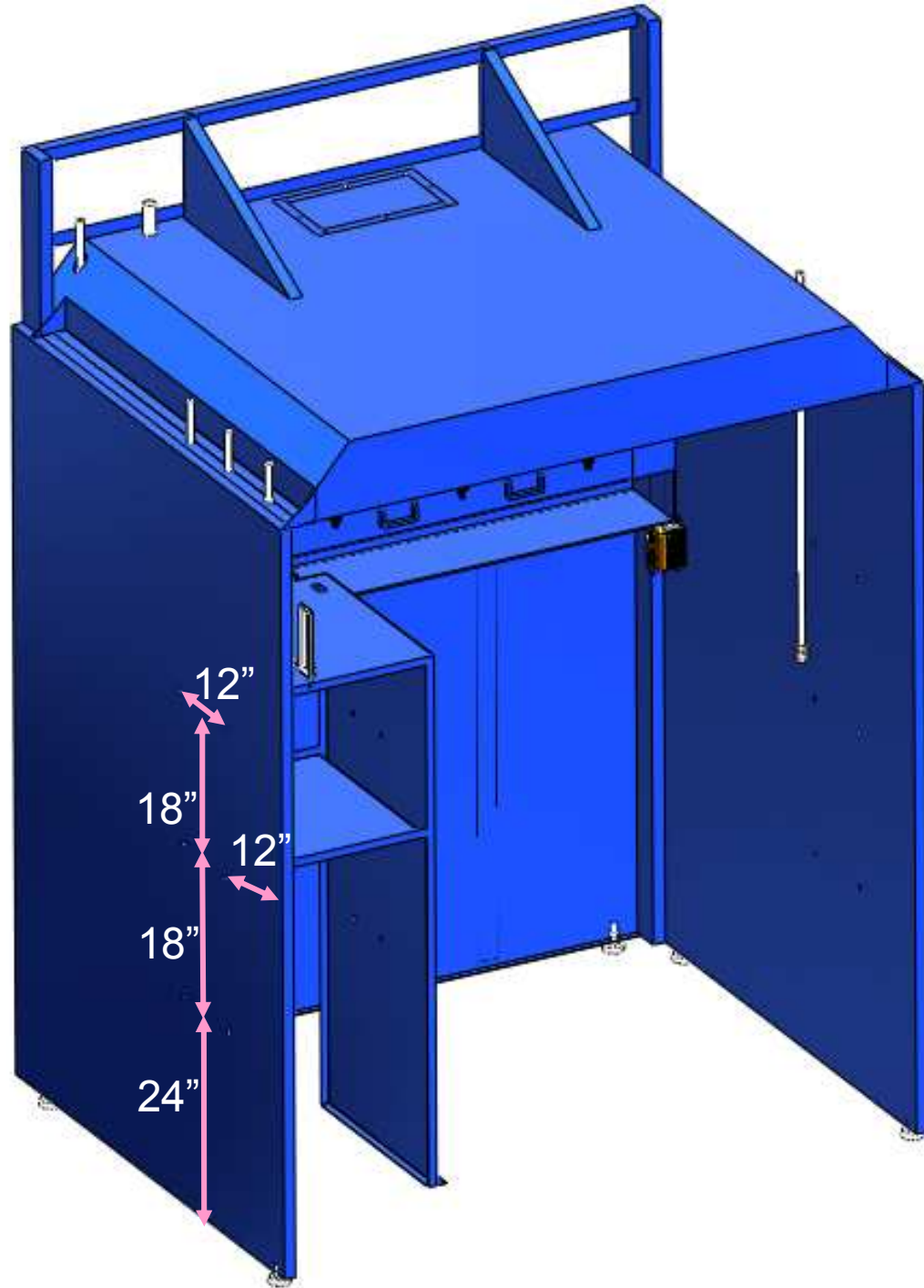


(6) 1/2" inset nuts
going through right wall





(6) 1/2" inset nuts
going through left wall



110V light switch (1-phase, 25 amp), duplex plug

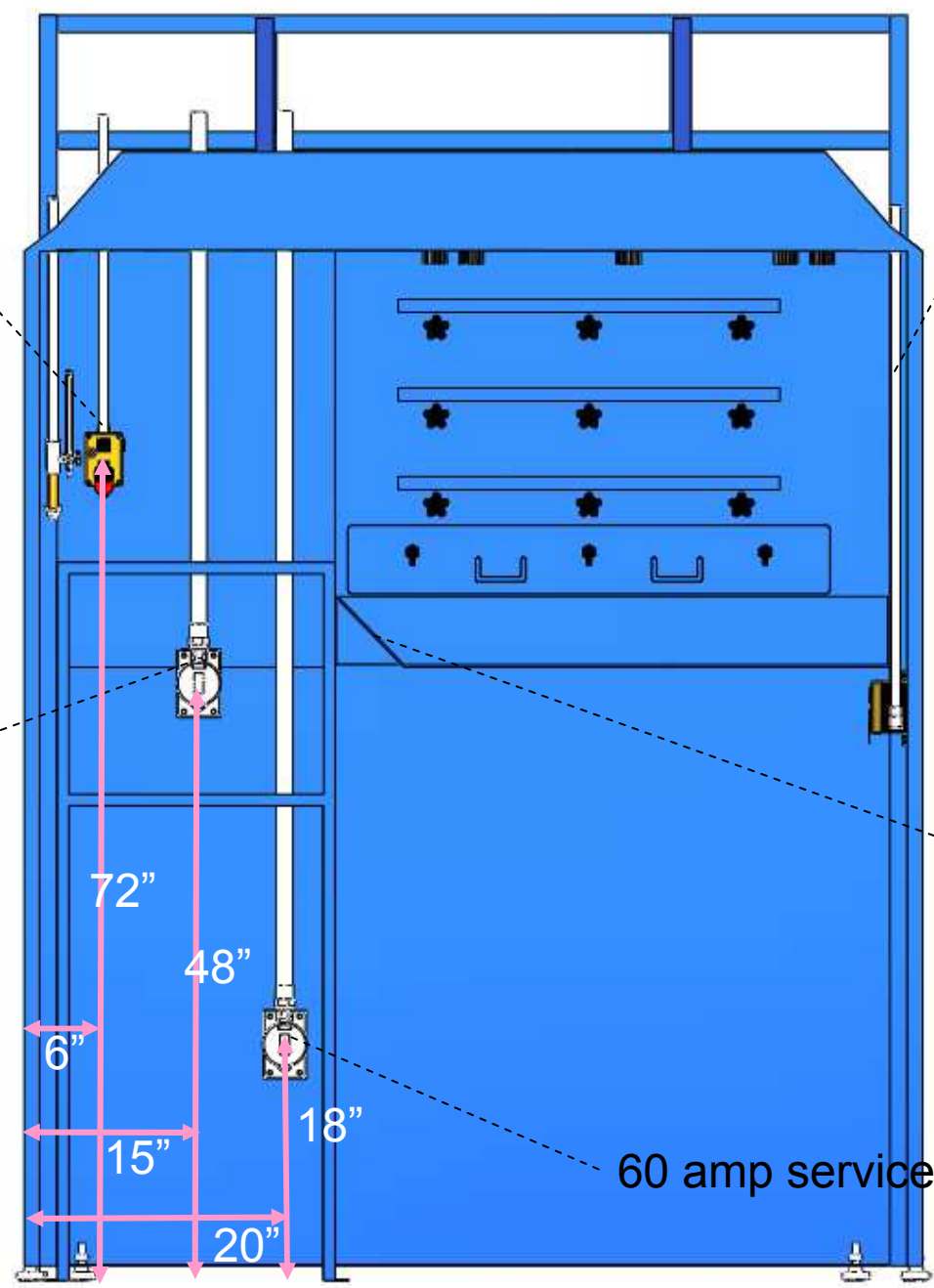
1/2" air line with ball valve

110V light switch, 20 amp, duplex plug

30 amp service (480V, 3Ph)

shelf below clean out drawer
angle edge to 45°

60 amp service (240V, 1Ph)



72"

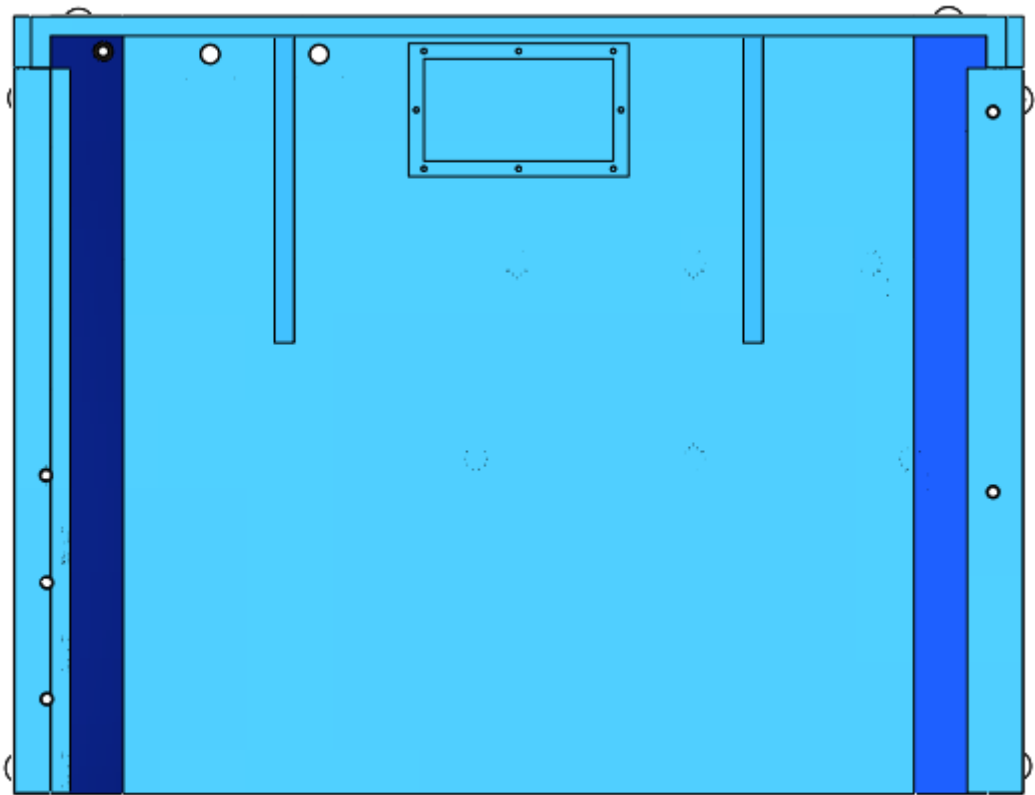
48"

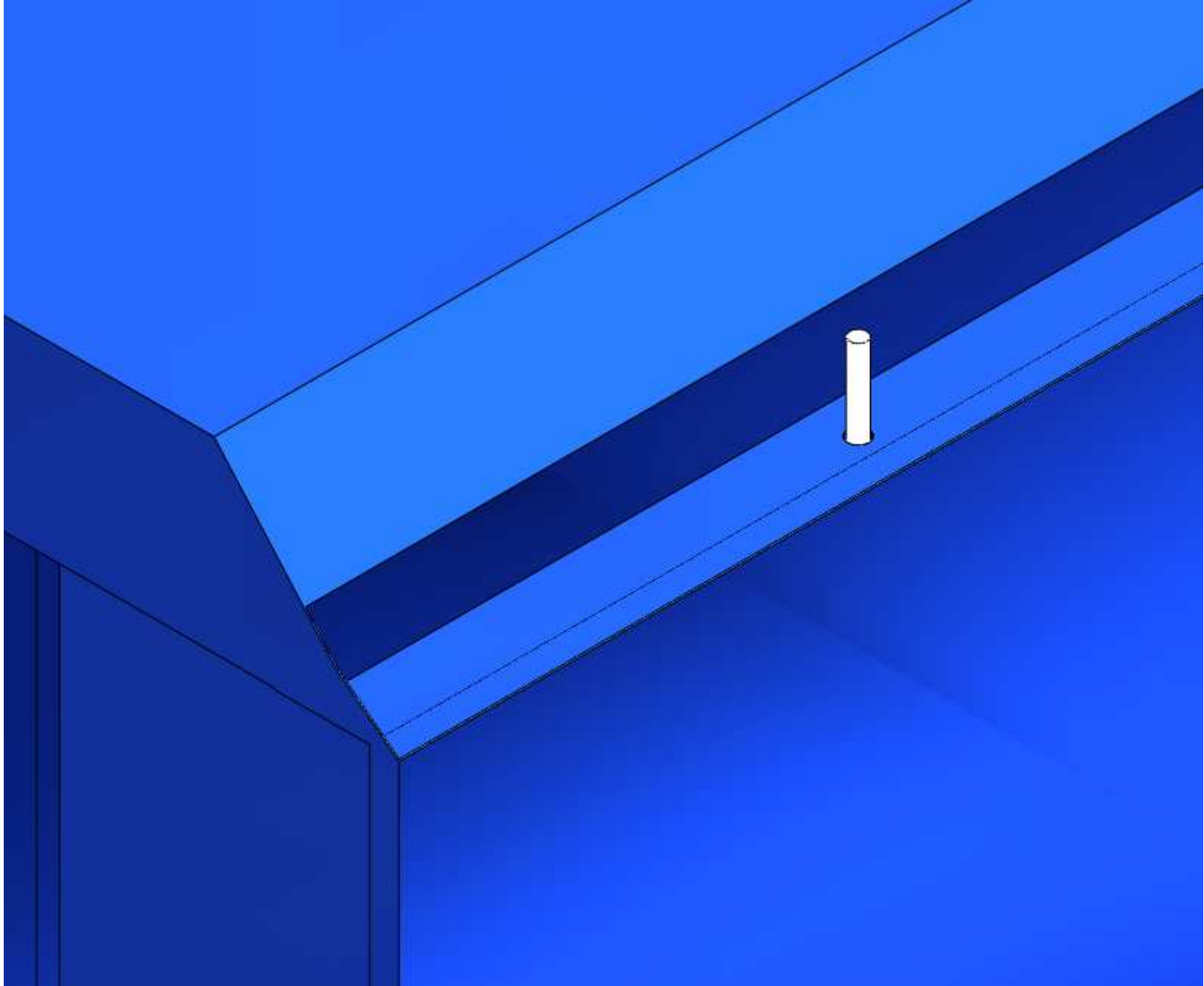
6"

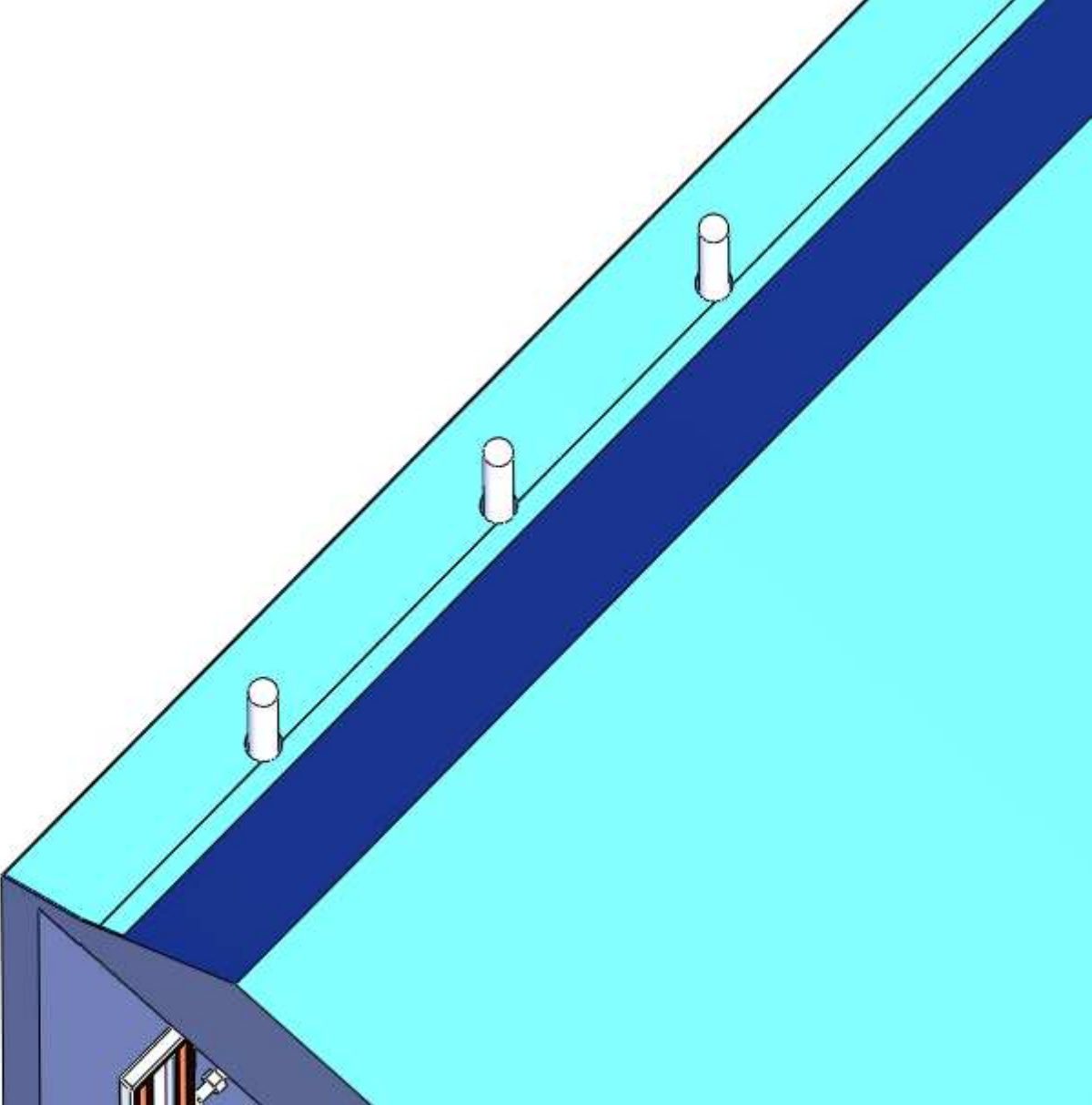
15"

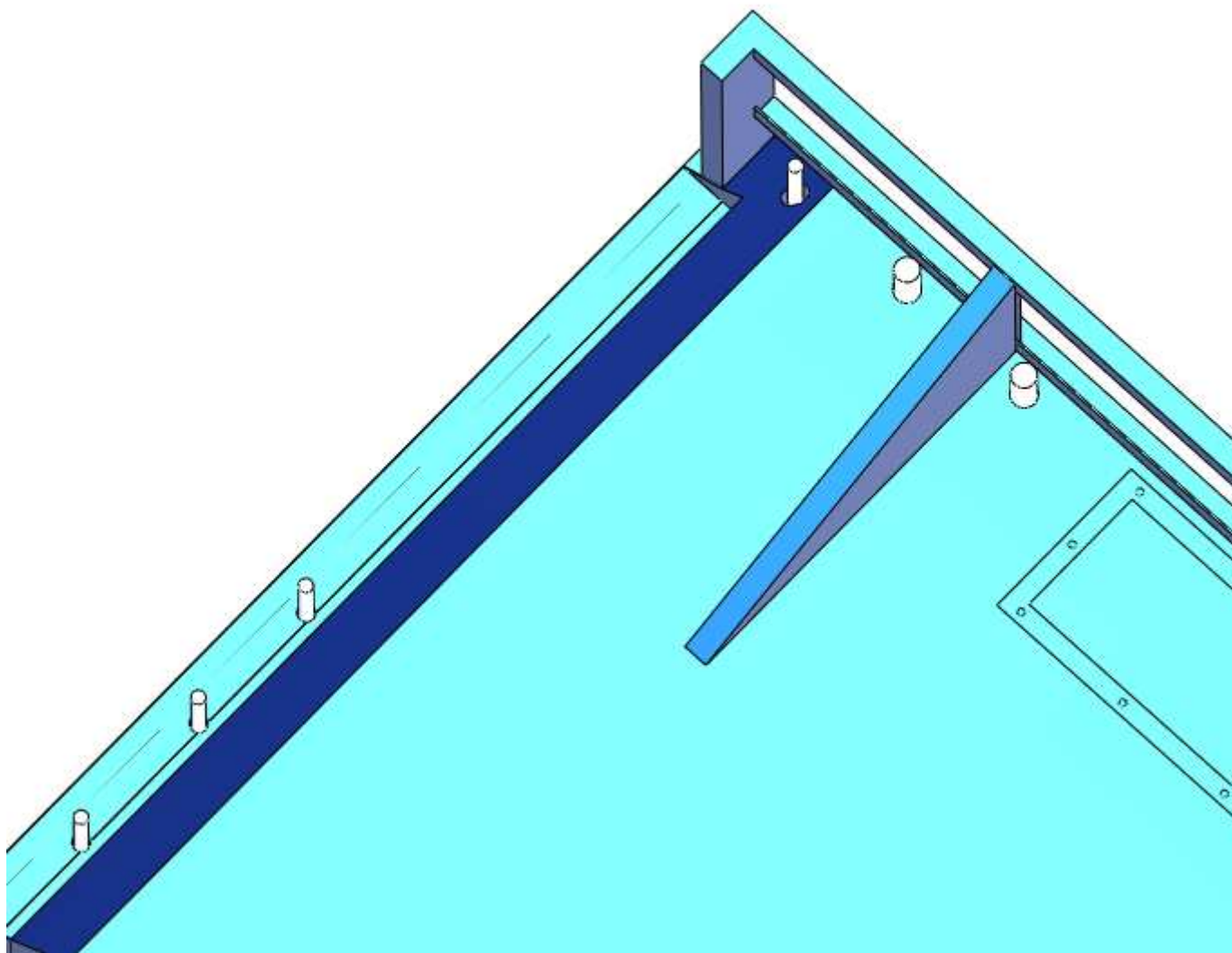
18"

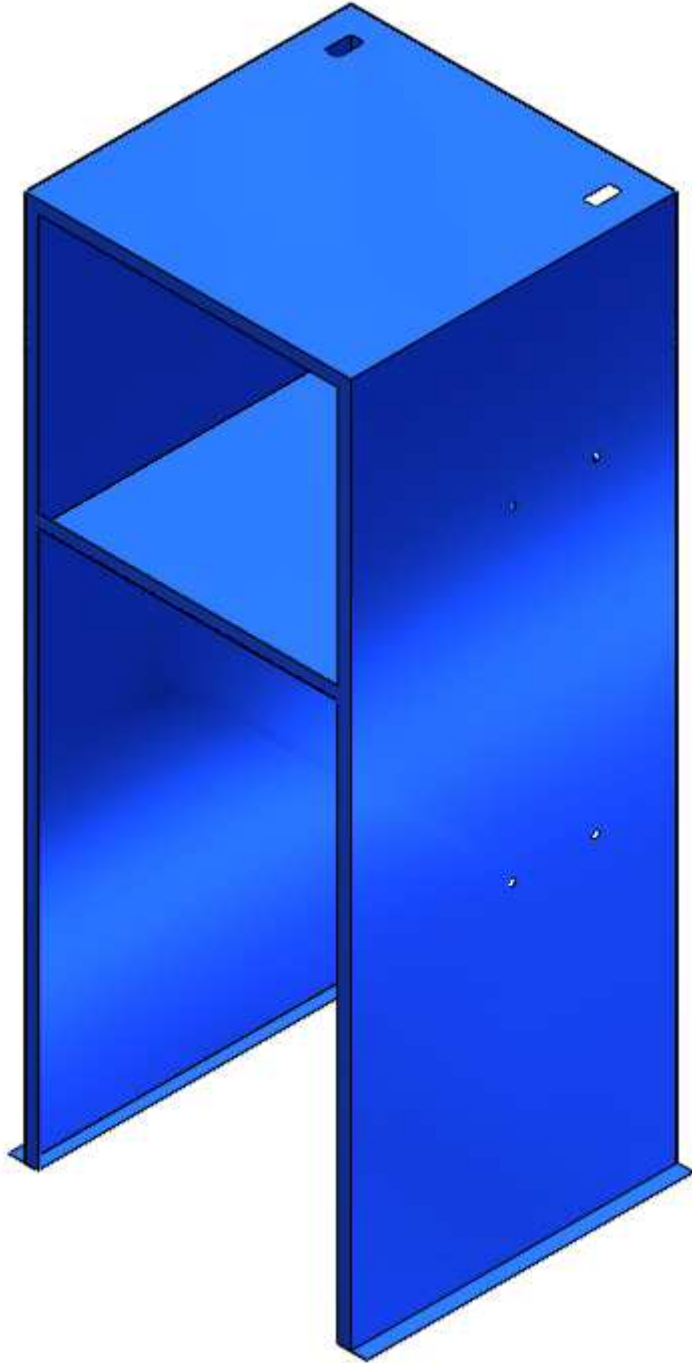
20"

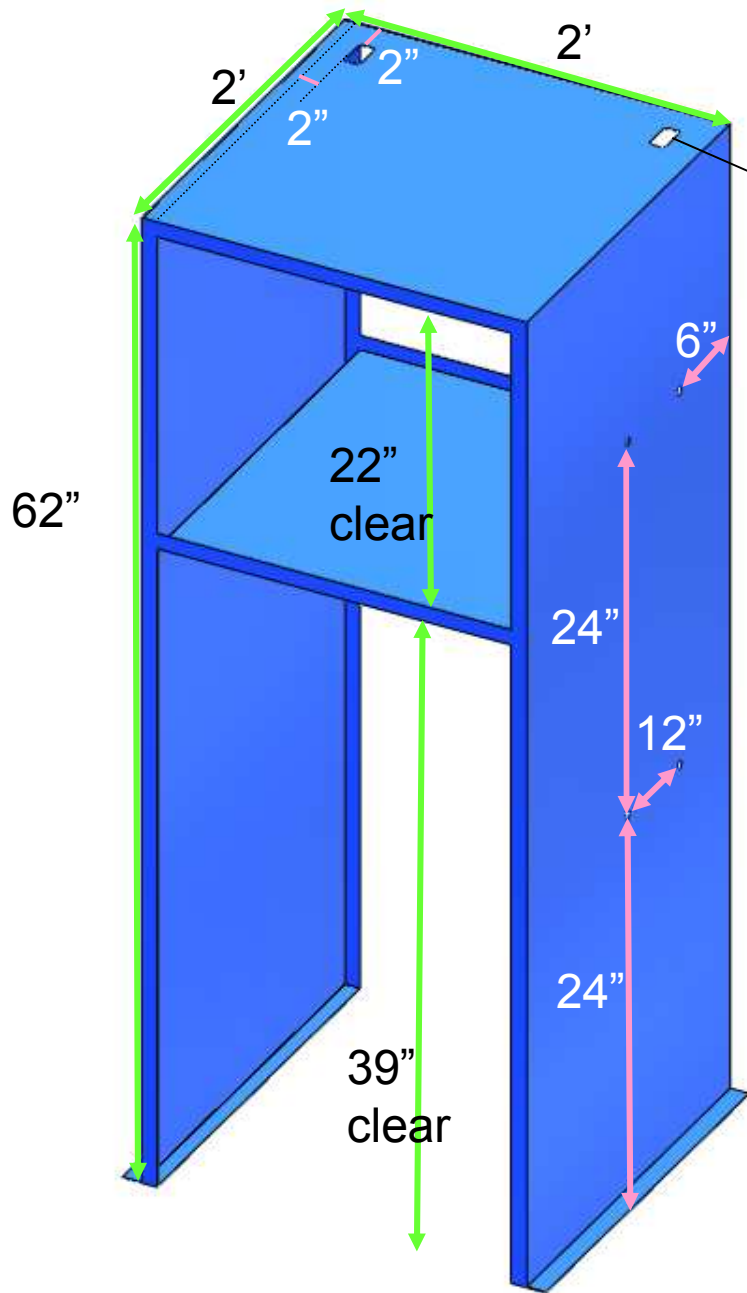




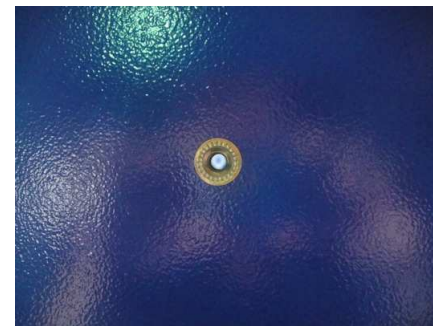
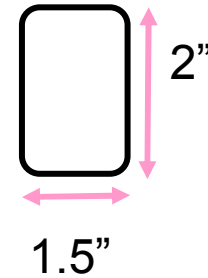








radius 1/4"



4 holes, each to have 1/2" nut inserts going through left/right walls

