

ALPHA AIR BALANCING AGENCY, INC.

TEST AND BALANCE SURVEY REPORT

**NEW CENTER FOR APPLIED TECHNOLOGY FOR
HARTNELL COMMUNITY COLLEGE
AT HARTNELL COLLEGE EAST CAMPUS
WING 'B' FIRST FLOOR WELDING LAB EXHAUST**

SALINAS, CALIFORNIA

PRESENTED TO: AXIOM ENGINEERS

**SUBMITTED BY: ROMY A. GONZALES
PROJECT NUMBER: 2011-3341**

TEST AND BALANCE SURVEY REPORT

PROJECT: NEW CENTER FOR APPLIED TECHNOLOGY FOR
HARTNELL COMMUNITY COLLEGE
AT HARTNELL COLLEGE EAST CAMPUS
WING 'B' FIRST FLOOR WELDING LAB EXHAUST

LOCATION: 1752 EAST ALISAL STREET
SALINAS, CALIFORNIA

ARCHITECT: KASAVAN ARCHITECTURE

MECHANICAL ENGINEER: AXIOM ENGINEERS

MECHANICAL CONTRACTOR: VAL'S PLUMBING & HEATING, INC.

TESTED AND BALANCED BY: ALPHA AIR BALANCING AGENCY, INC.
P.O. BOX 3948
CARMEL, CALIFORNIA 93921
TEL. # (831) 625-8195
FAX. # (831) 625-8196

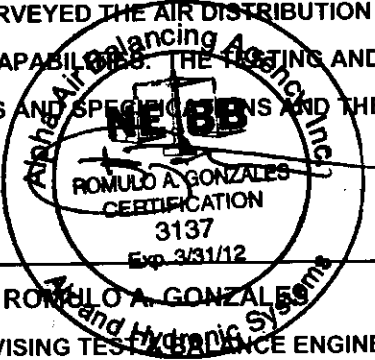
PROJECT CERTIFICATION

THIS IS TO CERTIFY THAT ALPHA AIR BALANCING AGENCY, INC. HAS SURVEYED THE AIR DISTRIBUTION SYSTEM DESCRIBED HEREIN TO THEIR OPTIMUM PERFORMANCE AND CAPABILITIES. THE TESTING AND BALANCING HAVE BEEN PERFORMED IN ACCORDANCE WITH THE PLANS AND SPECIFICATIONS AND THE RESULTS OF THESE TESTS ARE HEREIN LISTED.

PROJECT NO: 2011-3341

DATE: 7/27/2011

CERTIFIED BY: _____


ROMULO A. GONZALES
SUPERVISING TEST & BALANCE ENGINEER

General Notes & Abbreviations

AIR BALANCE 1-44

Air Distribution Report DC-1 Exhaust Air	1
Round Duct Traverse Report DC-1	2
Static Pressure Profile DC-1 Inlet & Outlet	3
Velocity Profile DC-1 (Welding Booth #1)	4
Velocity Profile DC-1 (Welding Booth #2)	5
Velocity Profile DC-1 (Welding Booth #3)	6
Velocity Profile DC-1 (Welding Booth #4)	7
Velocity Profile DC-1 (Welding Booth #5)	8
Velocity Profile DC-1 (Welding Booth #6)	9
Velocity Profile DC-1 (Welding Booth #7)	10
Velocity Profile DC-1 (Welding Booth #8)	11
Velocity Profile DC-1 (Welding Booth #9)	12
Velocity Profile DC-1 (Welding Booth #10)	13
Velocity Profile DC-1 (Welding Booth #11)	14
Velocity Profile DC-1 (Welding Booth #16)	15
Velocity Profile DC-1 (Welding Booth #17)	16
Velocity Profile DC-1 (Welding Booth #18)	17
Velocity Profile DC-1 (Welding Booth #19)	18
Velocity Profile DC-1 (Welding Booth #20)	19
Velocity Profile DC-1 (Welding Booth #21)	20
Velocity Profile DC-1 (Welding Booth #22)	21
Velocity Profile DC-1 (Welding Booth #23)	22
Air Distribution Report DC-2 Exhaust Air	23
Round Duct Traverse Report DC-2	24
Static Pressure Profile DC-2 Inlet & Outlet	25
Velocity Profile DC-2 (Welding Booth #12)	26
Velocity Profile DC-2 (Welding Booth #13)	27

Table of Contents Continued

Velocity Profile DC-2 (Welding Booth #14)	28
Velocity Profile DC-2 (Welding Booth #15)	29
Velocity Profile DC-2 (Welding Booth #24)	30
Velocity Profile DC-2 (Welding Booth #25)	31
Velocity Profile DC-2 (Welding Booth #26)	32
Velocity Profile DC-2 (Welding Booth #27)	33
Velocity Profile DC-2 (Welding Booth #28)	34
Velocity Profile DC-2 (Welding Booth #29)	35
Velocity Profile DC-2 (Welding Booth #30)	36
Velocity Profile DC-2 (Welding Booth #31)	37
Velocity Profile DC-2 (Welding Booth #32)	38
Velocity Profile DC-2 (Welding Booth #33)	39
Velocity Profile DC-2 (Welding Booth #34)	40
Velocity Profile DC-2 (Welding Booth #35)	41
Velocity Profile DC-2 (Welding Booth #36)	42
Velocity Profile DC-2 (Welding Booth #37)	43
Velocity Profile DC-2 (Welding Booth #38)	44

GENERAL NOTES

1. Unless otherwise noted, indicated CFM (Cubic Feet per minute) is at standard conditions.
2. Where no number is indicated under the velocity or FPM column, test readings were measured with Alnor Balometer flowhood model 6461 which reads in direct CFM.
3. Flow instruments used for velocity and pressure readings:
 - Rotating vane anemometer by Air Flow Model EDRA-6E.
 - Air data multi-meter electronic micro manometer by Shortridge Instruments Model ADM-870.
 - Dwyer Magnehelic gauges & pitot tubes.
4. Any variances from design quantities are noted on the remarks column throughout this report.

ABBREVIATIONS USED

CFM	-	CUBIC FEET PER MINUTE
DC	-	DUST COLLECTOR
DEG. F.	-	DEGREES FAHRENHEIT
FPM	-	FEET PER MINUTE
HORIZ.	-	HORIZONTAL
N.S.	-	NOT SPECIFIED
N.T.	-	NOT TAKEN/TESTED
NO.	-	NUMBER
S.F. / SQ. FT.	-	SQUARE FEET
S.P.	-	STATIC PRESSURE
SCFM	-	STANDARD CUBIC FEET PER MINUTE
TEMP.	-	TEMPERATURE
VERT.	-	VERTICAL
"wc	-	INCHES WATER COLUMN

ALPHA AIR BALANCING AGENCY, INC.

P.O. BOX 3948, CARMEL, CALIFORNIA 93921

Phone # (831) 625-8195 Contractor's License #708453

AIR DISTRIBUTION REPORT

DATE: 7/21/2011

PAGE: 1 OF 44

PROJECT NAME: NEW CENTER FOR APPLIED TECHNOLOGY FOR
 HARTNELL COMMUNITY COLLEGE AT HARTNELL COLLEGE EAST CAMPUS
 WING 'B' FIRST FLOOR WELDING LAB EXHAUST

ADDRESS: 1752 EAST ALISAL STREET
 SALINAS, CALIFORNIA

SYSTEM: DC-1 EXHAUST AIR DISTRIBUTION

ROOM NUMBER	INLET NUMBER	DIFFUSER / NECK SIZES, TYPE	DESIGN		ACTUAL		NOTE
			FPM	CFM	FPM	CFM	
	DC-1	EXHAUST AIR					
WELDING LAB	1	65"X86" OPENING		N.S.		970	
WELDING LAB	2	65"X86" OPENING		N.S.		892	
WELDING LAB	3	65"X86" OPENING		N.S.		970	
WELDING LAB	4	65"X86" OPENING		N.S.		737	
WELDING LAB	5	65"X86" OPENING		N.S.		815	
WELDING LAB	6	65"X86" OPENING		N.S.		1009	
WELDING LAB	7	65"X86" OPENING		N.S.		698	
WELDING LAB	8	65"X86" OPENING		N.S.		776	
WELDING LAB	9	65"X86" OPENING		N.S.		1009	
WELDING LAB	10	65"X86" OPENING		N.S.		1009	
WELDING LAB	11	(2) 20"X20" INLETS		N.S.		4633	
WELDING LAB	16	65"X86" OPENING		N.S.		1164	
WELDING LAB	17	65"X86" OPENING		N.S.		892	
WELDING LAB	18	65"X86" OPENING		N.S.		1009	
WELDING LAB	19	65"X86" OPENING		N.S.		1086	
WELDING LAB	20	65"X86" OPENING		N.S.		1086	
WELDING LAB	21	65"X86" OPENING		N.S.		1047	
WELDING LAB	22	65"X86" OPENING		N.S.		1203	
WELDING LAB	23	65"X86" OPENING		N.S.		1203	
	TOTAL			N.S.		22208	

REMARKS:

ALPHA AIR BALANCING AGENCY, INC.

P.O. BOX 3948, CARMEL, CALIFORNIA 93921-3948

Phone # (831) 625-8195 Contractor's License # 708453

ROUND DUCT TRAVERSE REPORT

DATE: 7/27/2011

PAGE: 2 OF 44

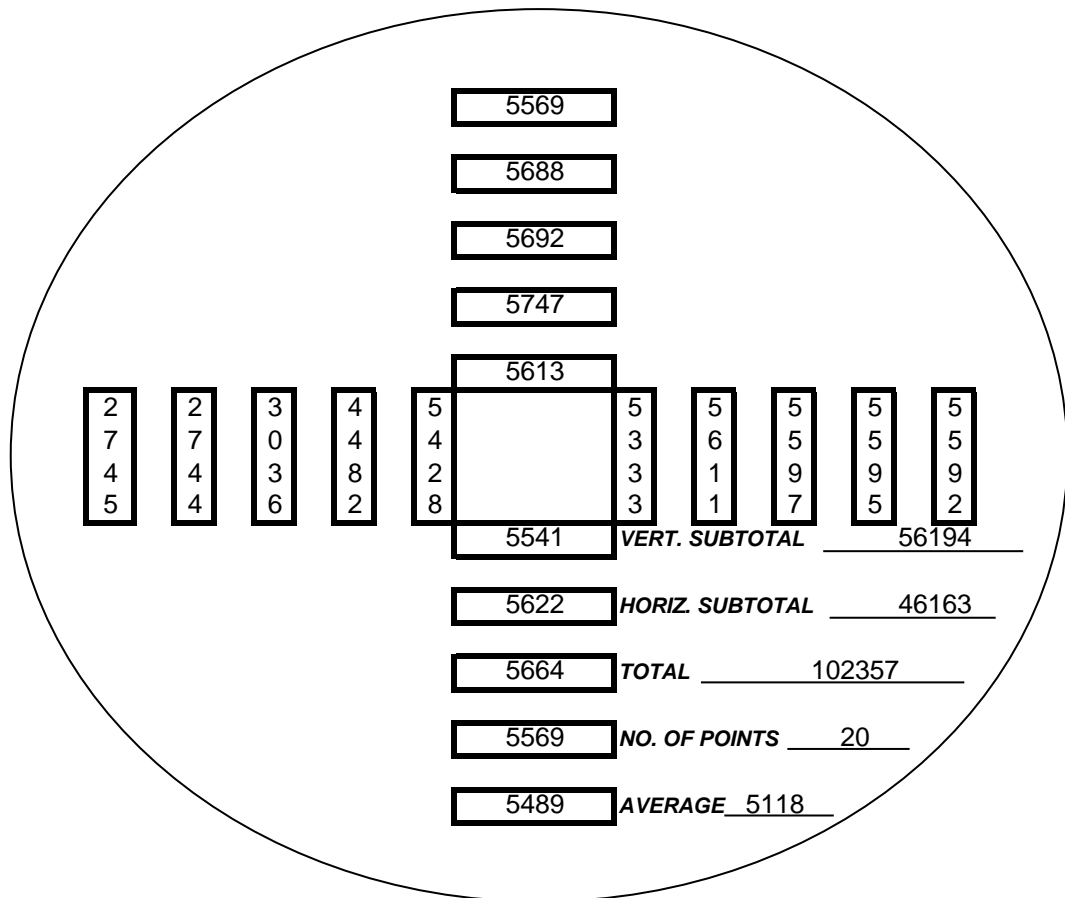
PROJECT: NEW CENTER FOR APPLIED TECHNOLOGY FOR HARTNELL COMMUNITY COLLEGE AT HARTNELL COLLEGE EAST CAMPUS **SYSTEM / UNIT:** EXHAUST / DC-1
WING 'B' FIRST FLOOR WELDING LAB EXHAUST

ADDRESS: 1752 EAST ALISAL STREET
SALINAS, CALIFORNIA

LOCATION / ZONE: DC-1 **SERVICE:** WING 'B' FIRST FLOOR WELDING LAB

ALTITUDE: SEA LEVEL **DENSITY:** STANDARD **CORRECTION FACTOR:** 1.0

DUCT				REQUIRED				ACTUAL			
S.P.	<u>-3.49"</u>	AIR TEMP.	<u>N.T.</u> DEG. F.	SCFM	<u>N.S.</u>	SCFM	<u>21855</u>	FPM	<u>5118</u>	CFM	<u>21855</u>
SIZE	<u>28" ROUND</u>	SQ. FT.	<u>4.27</u>	FPM	<u>N.S.</u>	CFM	<u>N.S.</u>	FPM	<u>5118</u>	CFM	<u>21855</u>



REMARKS:

TEST DATE: 7/27/2011 READINGS BY: MARIO MORLA

ALPHA AIR BALANCING AGENCY, INC.

P.O. BOX 3948, CARMEL, CALIFORNIA 93921

Phone # (831) 625-8195 Contractor's License #708453

STATIC PRESSURE PROFILE

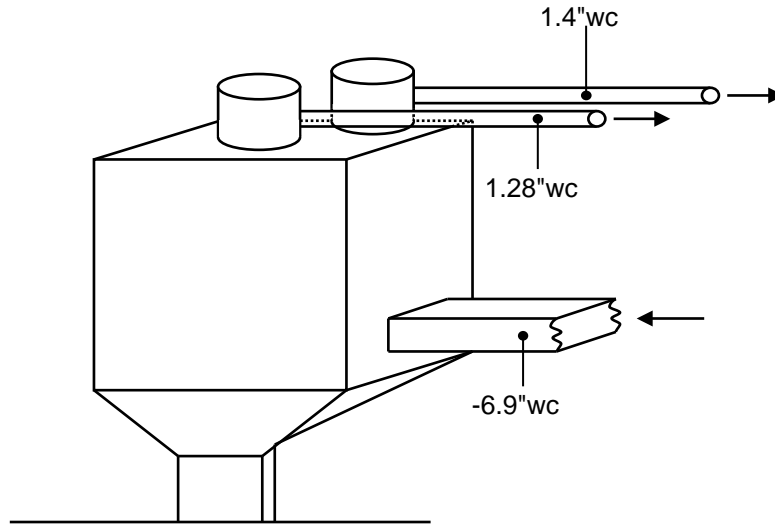
DATE: 7/27/2011

PAGE: 3 OF 44

PROJECT NAME: NEW CENTER FOR APPLIED TECHNOLOGY FOR
HARTNELL COMMUNITY COLLEGE AT HARTNELL COLLEGE EAST CAMPUS
WING 'B' FIRST FLOOR WELDING LAB EXHAUST

ADDRESS: 1752 EAST ALISAL STREET
SALINAS, CALIFORNIA

SYSTEM: DC-1 INLET & OUTLET



ALPHA AIR BALANCING AGENCY, INC.

P.O. BOX 3948, CARMEL, CALIFORNIA 93921

Phone # (831) 625-8195 Contractor's License # 708453

VELOCITY PROFILE

DATE: 7/21/2011

PAGE: 4 OF 44

PROJECT NAME: NEW CENTER FOR APPLIED TECHNOLOGY FOR
HARTNELL COMMUNITY COLLEGE AT HARTNELL COLLEGE EAST CAMPUS
WING 'B' FIRST FLOOR WELDING LAB EXHAUST

ADDRESS: 1752 EAST ALISAL STREET
SALINAS, CALIFORNIA

SYSTEM: DC-1 (WELDING BOOTH #1)

DESIGN CFM: NOT SPECIFIED DESIGN VELOCITY: NOT SPECIFIED

ACTUAL CFM: 970 ACTUAL VELOCITY: 25

NET DIMENSIONS: 65"X86" NET FREE AREA S.F.: 38.8

TOTAL OF READINGS: 753 NUMBER OF READINGS: 30

AVERAGE VELOCITY: 25 CORRECTION FACTOR: 1.0

(as viewed from downstream)

0	-45	-50	-42	-26
-46	-42	-52	-48	-37
-47	-31	0	-37	-41
-43	0	+36	0	0
-47	-28	-40	-28	0
0	-28	0	0	0

REMARKS:

ALPHA AIR BALANCING AGENCY, INC.

P.O. BOX 3948, CARMEL, CALIFORNIA 93921

Phone # (831) 625-8195 Contractor's License # 708453

VELOCITY PROFILE

DATE: 7/21/2011

PAGE: 5 OF 44

PROJECT NAME: NEW CENTER FOR APPLIED TECHNOLOGY FOR
HARTNELL COMMUNITY COLLEGE AT HARTNELL COLLEGE EAST CAMPUS
WING 'B' FIRST FLOOR WELDING LAB EXHAUST

ADDRESS: 1752 EAST ALISAL STREET
SALINAS, CALIFORNIA

SYSTEM: DC-1 (WELDING BOOTH #2)

DESIGN CFM: NOT SPECIFIED DESIGN VELOCITY: NOT SPECIFIED

ACTUAL CFM: 892 ACTUAL VELOCITY: 23

NET DIMENSIONS: 65"X86" NET FREE AREA S.F.: 38.8

TOTAL OF READINGS: 674 NUMBER OF READINGS: 30

AVERAGE VELOCITY: 23 CORRECTION FACTOR: 1.0

(as viewed from downstream)

+29	-26	-76	-52	-35
+37	-32	-50	-42	-28
-35	-36	0	0	-43
0	-31	-36	0	-32
0	0	0	0	0
0	-27	0	0	0

REMARKS:

ALPHA AIR BALANCING AGENCY, INC.

P.O. BOX 3948, CARMEL, CALIFORNIA 93921

Phone # (831) 625-8195 Contractor's License # 708453

VELOCITY PROFILE

DATE: 7/21/2011

PAGE: 6 OF 44

PROJECT NAME: NEW CENTER FOR APPLIED TECHNOLOGY FOR
HARTNELL COMMUNITY COLLEGE AT HARTNELL COLLEGE EAST CAMPUS
WING 'B' FIRST FLOOR WELDING LAB EXHAUST

ADDRESS: 1752 EAST ALISAL STREET
SALINAS, CALIFORNIA

SYSTEM: DC-1 (WELDING BOOTH #3)

DESIGN CFM: NOT SPECIFIED DESIGN VELOCITY: NOT SPECIFIED

ACTUAL CFM: 970 ACTUAL VELOCITY: 25

NET DIMENSIONS: 65"X86" NET FREE AREA S.F.: 38.8

TOTAL OF READINGS: 754 NUMBER OF READINGS: 30

AVERAGE VELOCITY: 25 CORRECTION FACTOR: 1.0

(as viewed from downstream)

0	-68	-82	-84	-63
0	-33	-47	-47	0
0	0	0	-28	0
0	0	-28	-30	0
0	0	0	0	0
0	0	0	0	0

REMARKS:

ALPHA AIR BALANCING AGENCY, INC.

P.O. BOX 3948, CARMEL, CALIFORNIA 93921

Phone # (831) 625-8195 Contractor's License # 708453

VELOCITY PROFILE

DATE: 7/21/2011

PAGE: 7 OF 44

PROJECT NAME: NEW CENTER FOR APPLIED TECHNOLOGY FOR
HARTNELL COMMUNITY COLLEGE AT HARTNELL COLLEGE EAST CAMPUS
WING 'B' FIRST FLOOR WELDING LAB EXHAUST

ADDRESS: 1752 EAST ALISAL STREET
SALINAS, CALIFORNIA

SYSTEM: DC-1 (WELDING BOOTH #4)

DESIGN CFM: NOT SPECIFIED DESIGN VELOCITY: NOT SPECIFIED

ACTUAL CFM: 737 ACTUAL VELOCITY: 19

NET DIMENSIONS: 65"X86" NET FREE AREA S.F.: 38.8

TOTAL OF READINGS: 580 NUMBER OF READINGS: 30

AVERAGE VELOCITY: 19 CORRECTION FACTOR: 1.0

(as viewed from downstream)

-38	-58	-95	-72	0
-38	-49	-66	-52	-45
-47	-30	0	-40	0
-27	0	0	-40	0
0	0	0	0	0
0	0	-26	0	0

REMARKS:

ALPHA AIR BALANCING AGENCY, INC.

P.O. BOX 3948, CARMEL, CALIFORNIA 93921

Phone # (831) 625-8195 Contractor's License # 708453

VELOCITY PROFILE

DATE: 7/21/2011

PAGE: 8 OF 44

PROJECT NAME: NEW CENTER FOR APPLIED TECHNOLOGY FOR
HARTNELL COMMUNITY COLLEGE AT HARTNELL COLLEGE EAST CAMPUS
WING 'B' FIRST FLOOR WELDING LAB EXHAUST

ADDRESS: 1752 EAST ALISAL STREET
SALINAS, CALIFORNIA

SYSTEM: DC-1 (WELDING BOOTH #5)

DESIGN CFM: NOT SPECIFIED DESIGN VELOCITY: NOT SPECIFIED

ACTUAL CFM: 815 ACTUAL VELOCITY: 21

NET DIMENSIONS: 65"X86" NET FREE AREA S.F.: 38.8

TOTAL OF READINGS: 636 NUMBER OF READINGS: 30

AVERAGE VELOCITY: 21 CORRECTION FACTOR: 1.0

(as viewed from downstream)

0	-60	-77	-75	-44
-31	-28	-45	-48	-28
0	0	-41	-33	0
0	-31	-34	-26	0
0	0	0	0	0
0	0	-28	0	0

REMARKS:

ALPHA AIR BALANCING AGENCY, INC.

P.O. BOX 3948, CARMEL, CALIFORNIA 93921

Phone # (831) 625-8195 Contractor's License # 708453

VELOCITY PROFILE

DATE: 7/21/2011

PAGE: 9 OF 44

PROJECT NAME: NEW CENTER FOR APPLIED TECHNOLOGY FOR
HARTNELL COMMUNITY COLLEGE AT HARTNELL COLLEGE EAST CAMPUS
WING 'B' FIRST FLOOR WELDING LAB EXHAUST

ADDRESS: 1752 EAST ALISAL STREET
SALINAS, CALIFORNIA

SYSTEM: DC-1 (WELDING BOOTH #6)

DESIGN CFM: NOT SPECIFIED DESIGN VELOCITY: NOT SPECIFIED

ACTUAL CFM: 1009 ACTUAL VELOCITY: 26

NET DIMENSIONS: 65"X86" NET FREE AREA S.F.: 38.8

TOTAL OF READINGS: 771 NUMBER OF READINGS: 30

AVERAGE VELOCITY: 26 CORRECTION FACTOR: 1.0

(as viewed from downstream)

0	-52	-105	-87	-58
0	-41	-57	-47	-39
-40	-40	-30	-38	0
-33	-31	0	0	0
0	0	0	0	0
+31	0	0	0	0

REMARKS:

ALPHA AIR BALANCING AGENCY, INC.

P.O. BOX 3948, CARMEL, CALIFORNIA 93921

Phone # (831) 625-8195 Contractor's License # 708453

VELOCITY PROFILE

DATE: 7/21/2011

PAGE: 10 OF 44

PROJECT NAME: NEW CENTER FOR APPLIED TECHNOLOGY FOR
HARTNELL COMMUNITY COLLEGE AT HARTNELL COLLEGE EAST CAMPUS
WING 'B' FIRST FLOOR WELDING LAB EXHAUST

ADDRESS: 1752 EAST ALISAL STREET
SALINAS, CALIFORNIA

SYSTEM: DC-1 (WELDING BOOTH #7)

DESIGN CFM: NOT SPECIFIED DESIGN VELOCITY: NOT SPECIFIED

ACTUAL CFM: 698 ACTUAL VELOCITY: 18

NET DIMENSIONS: 65"X86" NET FREE AREA S.F.: 38.8

TOTAL OF READINGS: 548 NUMBER OF READINGS: 30

AVERAGE VELOCITY: 18 CORRECTION FACTOR: 1.0

(as viewed from downstream)

0	-51	-76	-77	-48
-32	-48	-50	-52	0
0	-28	0	-34	-32
0	0	0	0	0
0	0	-30	-33	0
0	0	0	0	0

REMARKS:

ALPHA AIR BALANCING AGENCY, INC.

P.O. BOX 3948, CARMEL, CALIFORNIA 93921

Phone # (831) 625-8195 Contractor's License # 708453

VELOCITY PROFILE

DATE: 7/21/2011

PAGE: 11 OF 44

PROJECT NAME: NEW CENTER FOR APPLIED TECHNOLOGY FOR
HARTNELL COMMUNITY COLLEGE AT HARTNELL COLLEGE EAST CAMPUS
WING 'B' FIRST FLOOR WELDING LAB EXHAUST

ADDRESS: 1752 EAST ALISAL STREET
SALINAS, CALIFORNIA

SYSTEM: DC-1 (WELDING BOOTH #8)

DESIGN CFM: NOT SPECIFIED DESIGN VELOCITY: NOT SPECIFIED

ACTUAL CFM: 776 ACTUAL VELOCITY: 20

NET DIMENSIONS: 65"X86" NET FREE AREA S.F.: 38.8

TOTAL OF READINGS: 586 NUMBER OF READINGS: 30

AVERAGE VELOCITY: 20 CORRECTION FACTOR: 1.0

(as viewed from downstream)

0	-62	-92	-68	-60
-45	-46	-47	-38	0
0	-32	-54	-42	0
0	0	0	0	0
0	0	0	0	0
0	0	0	0	0

REMARKS:

ALPHA AIR BALANCING AGENCY, INC.

P.O. BOX 3948, CARMEL, CALIFORNIA 93921

Phone # (831) 625-8195 Contractor's License # 708453

VELOCITY PROFILE

DATE: 7/21/2011

PAGE: 12 OF 44

PROJECT NAME: NEW CENTER FOR APPLIED TECHNOLOGY FOR
HARTNELL COMMUNITY COLLEGE AT HARTNELL COLLEGE EAST CAMPUS
WING 'B' FIRST FLOOR WELDING LAB EXHAUST

ADDRESS: 1752 EAST ALISAL STREET
SALINAS, CALIFORNIA

SYSTEM: DC-1 (WELDING BOOTH #9)

DESIGN CFM: NOT SPECIFIED DESIGN VELOCITY: NOT SPECIFIED

ACTUAL CFM: 1009 ACTUAL VELOCITY: 26

NET DIMENSIONS: 65"X86" NET FREE AREA S.F.: 38.8

TOTAL OF READINGS: 789 NUMBER OF READINGS: 30

AVERAGE VELOCITY: 26 CORRECTION FACTOR: 1.0

(as viewed from downstream)

0	-68	-95	-78	-53
-28	-42	-53	-48	-40
0	-36	-48	-36	+28
0	-37	-38	-32	-33
0	0	-29	-26	0
0	0	0	+25	0

REMARKS:

ALPHA AIR BALANCING AGENCY, INC.

P.O. BOX 3948, CARMEL, CALIFORNIA 93921

Phone # (831) 625-8195 Contractor's License # 708453

VELOCITY PROFILE

DATE: 7/21/2011

PAGE: 13 OF 44

PROJECT NAME: NEW CENTER FOR APPLIED TECHNOLOGY FOR
HARTNELL COMMUNITY COLLEGE AT HARTNELL COLLEGE EAST CAMPUS
WING 'B' FIRST FLOOR WELDING LAB EXHAUST

ADDRESS: 1752 EAST ALISAL STREET

SALINAS, CALIFORNIA

SYSTEM: DC-1 (WELDING BOOTH #10)

DESIGN CFM: NOT SPECIFIED DESIGN VELOCITY: NOT SPECIFIED

ACTUAL CFM: 1009 ACTUAL VELOCITY: 26

NET DIMENSIONS: 65"X86" NET FREE AREA S.F.: 38.8

TOTAL OF READINGS: 780 NUMBER OF READINGS: 30

AVERAGE VELOCITY: 26 CORRECTION FACTOR: 1.0

(as viewed from downstream)

-55	-59	-47	-65	-35
-58	-42	-43	-45	-37
0	-28	-28	-51	0
0	-37	0	-29	0
0	0	0	-28	0
-32	0	-35	0	+28

REMARKS:

ALPHA AIR BALANCING AGENCY, INC.

P.O. BOX 3948, CARMEL, CALIFORNIA 93921

Phone # (831) 625-8195 Contractor's License # 708453

VELOCITY PROFILE

DATE: 7/21/2011
PAGE: 14 OF 44

PROJECT NAME: NEW CENTER FOR APPLIED TECHNOLOGY FOR
HARTNELL COMMUNITY COLLEGE AT HARTNELL COLLEGE EAST CAMPUS
WING 'B' FIRST FLOOR WELDING LAB EXHAUST
ADDRESS: 1752 EAST ALISAL STREET
SALINAS, CALIFORNIA
SYSTEM: DC-1 (WELDING BOOTH #11)

DESIGN CFM: NOT SPECIFIED **DESIGN VELOCITY:** NOT SPECIFIED
ACTUAL CFM: 4633 **ACTUAL VELOCITY:** 834
NET DIMENSIONS: (2) 20"X20" INLETS **NET FREE AREA S.F.:** 5.556
TOTAL OF READINGS: 6673 **NUMBER OF READINGS:** 8
AVERAGE VELOCITY: 834 **CORRECTION FACTOR:** 1.0

(as viewed from downstream)

-1131	-1059	-870	-880
-683	-709	-686	-655

REMARKS:



ALPHA AIR BALANCING AGENCY, INC.

P.O. BOX 3948, CARMEL, CALIFORNIA 93921

Phone # (831) 625-8195 Contractor's License # 708453

VELOCITY PROFILE

DATE: 7/21/2011

PAGE: 15 OF 44

PROJECT NAME: NEW CENTER FOR APPLIED TECHNOLOGY FOR
HARTNELL COMMUNITY COLLEGE AT HARTNELL COLLEGE EAST CAMPUS
WING 'B' FIRST FLOOR WELDING LAB EXHAUST

ADDRESS: 1752 EAST ALISAL STREET

SALINAS, CALIFORNIA

SYSTEM: DC-1 (WELDING BOOTH #16)

DESIGN CFM: NOT SPECIFIED DESIGN VELOCITY: NOT SPECIFIED

ACTUAL CFM: 1164 ACTUAL VELOCITY: 30

NET DIMENSIONS: 65"X86" NET FREE AREA S.F.: 38.8

TOTAL OF READINGS: 894 NUMBER OF READINGS: 30

AVERAGE VELOCITY: 30 CORRECTION FACTOR: 1.0

(as viewed from downstream)

-51	-93	-60	0	+33
-38	-62	-55	-41	-31
-27	-49	-63	-51	-35
0	-26	-42	-43	-37
0	0	-28	-35	-26
0	0	0	-28	0

REMARKS:

ALPHA AIR BALANCING AGENCY, INC.

P.O. BOX 3948, CARMEL, CALIFORNIA 93921

Phone # (831) 625-8195 Contractor's License # 708453

VELOCITY PROFILE

DATE: 7/21/2011

PAGE: 16 OF 44

PROJECT NAME: NEW CENTER FOR APPLIED TECHNOLOGY FOR
HARTNELL COMMUNITY COLLEGE AT HARTNELL COLLEGE EAST CAMPUS
WING 'B' FIRST FLOOR WELDING LAB EXHAUST

ADDRESS: 1752 EAST ALISAL STREET

SALINAS, CALIFORNIA

SYSTEM: DC-1 (WELDING BOOTH #17)

DESIGN CFM: NOT SPECIFIED DESIGN VELOCITY: NOT SPECIFIED

ACTUAL CFM: 892 ACTUAL VELOCITY: 23

NET DIMENSIONS: 65"X86" NET FREE AREA S.F.: 38.8

TOTAL OF READINGS: 698 NUMBER OF READINGS: 30

AVERAGE VELOCITY: 23 CORRECTION FACTOR: 1.0

(as viewed from downstream)

-43	-74	-96	-72	-60
-42	-50	-53	-42	0
0	-35	0	0	-36
0	0	-26	0	0
0	0	0	0	0
0	0	0	+25	0

REMARKS:

ALPHA AIR BALANCING AGENCY, INC.

P.O. BOX 3948, CARMEL, CALIFORNIA 93921

Phone # (831) 625-8195 Contractor's License # 708453

VELOCITY PROFILE

DATE: 7/21/2011

PAGE: 17 OF 44

PROJECT NAME: NEW CENTER FOR APPLIED TECHNOLOGY FOR
HARTNELL COMMUNITY COLLEGE AT HARTNELL COLLEGE EAST CAMPUS
WING 'B' FIRST FLOOR WELDING LAB EXHAUST

ADDRESS: 1752 EAST ALISAL STREET

SALINAS, CALIFORNIA

SYSTEM: DC-1 (WELDING BOOTH #18)

DESIGN CFM: NOT SPECIFIED DESIGN VELOCITY: NOT SPECIFIED

ACTUAL CFM: 1009 ACTUAL VELOCITY: 26

NET DIMENSIONS: 65"X86" NET FREE AREA S.F.: 38.8

TOTAL OF READINGS: 789 NUMBER OF READINGS: 30

AVERAGE VELOCITY: 26 CORRECTION FACTOR: 1.0

(as viewed from downstream)

+37	0	-40	-68	0
-53	-62	-61	-76	-67
-44	-45	-53	-70	-63
0	-40	-28	-38	0
+29	-28	-26	0	0
0	0	0	0	0

REMARKS:

ALPHA AIR BALANCING AGENCY, INC.

P.O. BOX 3948, CARMEL, CALIFORNIA 93921

Phone # (831) 625-8195 Contractor's License # 708453

VELOCITY PROFILE

DATE: 7/21/2011

PAGE: 18 OF 44

PROJECT NAME: NEW CENTER FOR APPLIED TECHNOLOGY FOR
HARTNELL COMMUNITY COLLEGE AT HARTNELL COLLEGE EAST CAMPUS
WING 'B' FIRST FLOOR WELDING LAB EXHAUST

ADDRESS: 1752 EAST ALISAL STREET

SALINAS, CALIFORNIA

SYSTEM: DC-1 (WELDING BOOTH #19)

DESIGN CFM: NOT SPECIFIED DESIGN VELOCITY: NOT SPECIFIED

ACTUAL CFM: 1086 ACTUAL VELOCITY: 28

NET DIMENSIONS: 65"X86" NET FREE AREA S.F.: 38.8

TOTAL OF READINGS: 824 NUMBER OF READINGS: 30

AVERAGE VELOCITY: 28 CORRECTION FACTOR: 1.0

(as viewed from downstream)

-73	-68	-75	-48	-64
-56	-45	-42	-56	-58
-42	-32	-37	0	-28
0	0	0	0	0
0	0	-37	0	0
0	0	0	0	0

REMARKS:

ALPHA AIR BALANCING AGENCY, INC.

P.O. BOX 3948, CARMEL, CALIFORNIA 93921

Phone # (831) 625-8195 Contractor's License # 708453

VELOCITY PROFILE

DATE: 7/21/2011

PAGE: 19 OF 44

PROJECT NAME: NEW CENTER FOR APPLIED TECHNOLOGY FOR
HARTNELL COMMUNITY COLLEGE AT HARTNELL COLLEGE EAST CAMPUS
WING 'B' FIRST FLOOR WELDING LAB EXHAUST

ADDRESS: 1752 EAST ALISAL STREET
SALINAS, CALIFORNIA

SYSTEM: DC-1 (WELDING BOOTH #20)

DESIGN CFM: NOT SPECIFIED DESIGN VELOCITY: NOT SPECIFIED

ACTUAL CFM: 1086 ACTUAL VELOCITY: 28

NET DIMENSIONS: 65"X86" NET FREE AREA S.F.: 38.8

TOTAL OF READINGS: 835 NUMBER OF READINGS: 30

AVERAGE VELOCITY: 30 CORRECTION FACTOR: 1.0

(as viewed from downstream)

-45	-61	-75	-44	0
-42	-54	-61	-73	-63
-43	-52	-47	-45	-38
0	0	-35	0	0
0	0	0	+30	-30
0	0	-30	0	0

REMARKS:

ALPHA AIR BALANCING AGENCY, INC.

P.O. BOX 3948, CARMEL, CALIFORNIA 93921

Phone # (831) 625-8195 Contractor's License # 708453

VELOCITY PROFILE

DATE: 7/21/2011

PAGE: 20 OF 44

PROJECT NAME: NEW CENTER FOR APPLIED TECHNOLOGY FOR
HARTNELL COMMUNITY COLLEGE AT HARTNELL COLLEGE EAST CAMPUS
WING 'B' FIRST FLOOR WELDING LAB EXHAUST

ADDRESS: 1752 EAST ALISAL STREET

SALINAS, CALIFORNIA

SYSTEM: DC-1 (WELDING BOOTH #21)

DESIGN CFM: NOT SPECIFIED DESIGN VELOCITY: NOT SPECIFIED

ACTUAL CFM: 1047 ACTUAL VELOCITY: 27

NET DIMENSIONS: 65"X86" NET FREE AREA S.F.: 38.8

TOTAL OF READINGS: 818 NUMBER OF READINGS: 30

AVERAGE VELOCITY: 27 CORRECTION FACTOR: 1.0

(as viewed from downstream)

-83	-92	-112	-97	-65
-53	-68	-58	-56	-52
0	-28	0	-42	0
0	0	-33	0	0
0	0	+28	0	0
0	0	0	+31	0

REMARKS:

ALPHA AIR BALANCING AGENCY, INC.

P.O. BOX 3948, CARMEL, CALIFORNIA 93921

Phone # (831) 625-8195 Contractor's License # 708453

VELOCITY PROFILE

DATE: 7/21/2011

PAGE: 21 OF 44

PROJECT NAME: NEW CENTER FOR APPLIED TECHNOLOGY FOR
HARTNELL COMMUNITY COLLEGE AT HARTNELL COLLEGE EAST CAMPUS
WING 'B' FIRST FLOOR WELDING LAB EXHAUST

ADDRESS: 1752 EAST ALISAL STREET

SALINAS, CALIFORNIA

SYSTEM: DC-1 (WELDING BOOTH #22)

DESIGN CFM: NOT SPECIFIED DESIGN VELOCITY: NOT SPECIFIED

ACTUAL CFM: 1203 ACTUAL VELOCITY: 31

NET DIMENSIONS: 65"X86" NET FREE AREA S.F.: 38.8

TOTAL OF READINGS: 921 NUMBER OF READINGS: 30

AVERAGE VELOCITY: 31 CORRECTION FACTOR: 1.0

(as viewed from downstream)

-51	-75	-96	-86	-60
-59	-63	-55	-55	-56
0	-42	0	-53	-44
0	0	0	0	-43
0	0	0	0	0
0	-29	0	0	0

REMARKS:

ALPHA AIR BALANCING AGENCY, INC.

P.O. BOX 3948, CARMEL, CALIFORNIA 93921

Phone # (831) 625-8195 Contractor's License # 708453

VELOCITY PROFILE

DATE: 7/21/2011

PAGE: 22 OF 44

PROJECT NAME: NEW CENTER FOR APPLIED TECHNOLOGY FOR
HARTNELL COMMUNITY COLLEGE AT HARTNELL COLLEGE EAST CAMPUS
WING 'B' FIRST FLOOR WELDING LAB EXHAUST

ADDRESS: 1752 EAST ALISAL STREET
SALINAS, CALIFORNIA

SYSTEM: DC-1 (WELDING BOOTH #23)

DESIGN CFM: NOT SPECIFIED DESIGN VELOCITY: NOT SPECIFIED

ACTUAL CFM: 1203 ACTUAL VELOCITY: 31

NET DIMENSIONS: 65"X86" NET FREE AREA S.F.: 38.8

TOTAL OF READINGS: 937 NUMBER OF READINGS: 30

AVERAGE VELOCITY: 31 CORRECTION FACTOR: 1.0

(as viewed from downstream)

-62	-78	-81	-76	-63
-69	-95	-50	-62	-30
-45	-55	-70	-45	-49
0	0	0	0	0
0	0	0	0	-21
0	0	-28	0	0

REMARKS:

ALPHA AIR BALANCING AGENCY, INC.

P.O. BOX 3948, CARMEL, CALIFORNIA 93921

Phone # (831) 625-8195 Contractor's License #708453

AIR DISTRIBUTION REPORT

DATE: 7/21/2011

PAGE: 23 OF 44

PROJECT NAME: NEW CENTER FOR APPLIED TECHNOLOGY FOR
 HARTNELL COMMUNITY COLLEGE AT HARTNELL COLLEGE EAST CAMPUS
 WING 'B' FIRST FLOOR WELDING LAB EXHAUST

ADDRESS: 1752 EAST ALISAL STREET
 SALINAS, CALIFORNIA

SYSTEM: DC-2 EXHAUST AIR DISTRIBUTION

ROOM NUMBER	INLET NUMBER	DIFFUSER / NECK SIZES, TYPE	DESIGN		ACTUAL		NOTE
			FPM	CFM	FPM	CFM	
	DC-2	EXHAUST AIR					
WELDING LAB	12	65"X86" OPENING		N.S.		1125	
WELDING LAB	13	65"X86" OPENING		N.S.		660	
WELDING LAB	14	65"X86" OPENING		N.S.		815	
WELDING LAB	15	65"X86" OPENING		N.S.		776	
WELDING LAB	24	65"X86" OPENING		N.S.		931	
WELDING LAB	25	65"X86" OPENING		N.S.		931	
WELDING LAB	26	65"X86" OPENING		N.S.		1009	
WELDING LAB	27	65"X86" OPENING		N.S.		1164	
WELDING LAB	28	65"X86" OPENING		N.S.		1086	
WELDING LAB	29	65"X86" OPENING		N.S.		1590	
WELDING LAB	30	65"X86" OPENING		N.S.		1164	
WELDING LAB	31	65"X86" OPENING		N.S.		1241	
WELDING LAB	32	65"X86" OPENING		N.S.		1048	
WELDING LAB	33	65"X86" OPENING		N.S.		931	
WELDING LAB	34	65"X86" OPENING		N.S.		1280	
WELDING LAB	35	65"X86" OPENING		N.S.		1629	
WELDING LAB	36	37.5"X81.25"		N.S.		1333	
WELDING LAB	37	37.5"X81.25"		N.S.		1311	
WELDING LAB	38	37.5"X81.25"		N.S.		1819	
	TOTAL			N.S.		21843	

REMARKS:

ALPHA AIR BALANCING AGENCY, INC.

P.O. BOX 3948, CARMEL, CALIFORNIA 93921-3948

Phone # (831) 625-8195 Contractor's License # 708453

ROUND DUCT TRAVERSE REPORT

DATE: 7/27/2011

PAGE: 24 OF 44

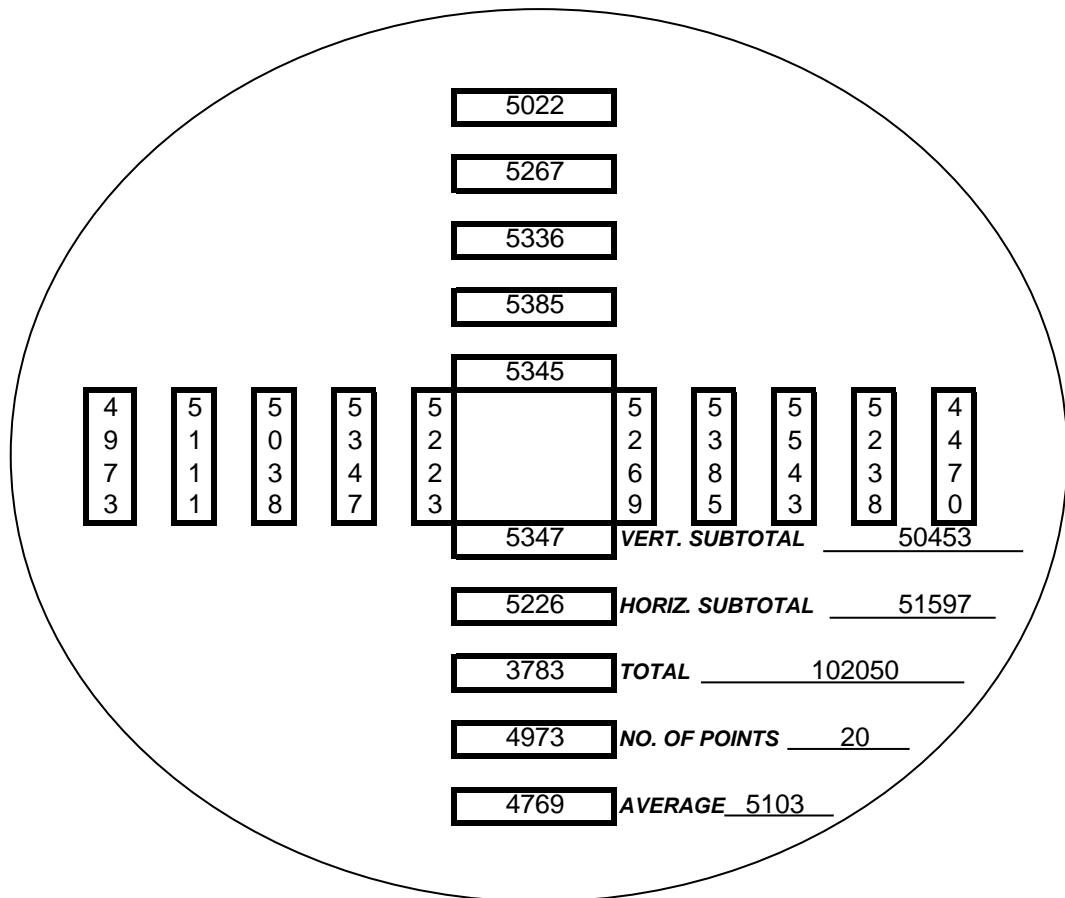
PROJECT: NEW CENTER FOR APPLIED TECHNOLOGY FOR HARTNELL COMMUNITY COLLEGE AT HARTNELL COLLEGE EAST CAMPUS **SYSTEM / UNIT:** EXHAUST / DC-2
WING 'B' FIRST FLOOR WELDING LAB EXHAUST

ADDRESS: 1752 EAST ALISAL STREET
SALINAS, CALIFORNIA

LOCATION / ZONE: DC-2 **SERVICE:** WING 'B' FIRST FLOOR WELDING LAB

ALTITUDE: SEA LEVEL **DENSITY:** STANDARD **CORRECTION FACTOR:** 1.0

DUCT				REQUIRED				ACTUAL			
S.P.	<u>-3.73"</u>	AIR TEMP.	<u>N.T.</u> DEG. F.	SCFM	<u>N.S.</u>	SCFM	<u>21790</u>	FPM	<u>5103</u>	CFM	<u>21790</u>
SIZE	<u>28" ROUND</u>	SQ. FT.	<u>4.27</u>	FPM	<u>N.S.</u>	CFM	<u>N.S.</u>	FPM	<u>5103</u>	CFM	<u>21790</u>



REMARKS:

TEST DATE: 7/27/2011 **READINGS BY:** MARIO MORLA

ALPHA AIR BALANCING AGENCY, INC.

P.O. BOX 3948, CARMEL, CALIFORNIA 93921

Phone # (831) 625-8195 Contractor's License #708453

STATIC PRESSURE PROFILE

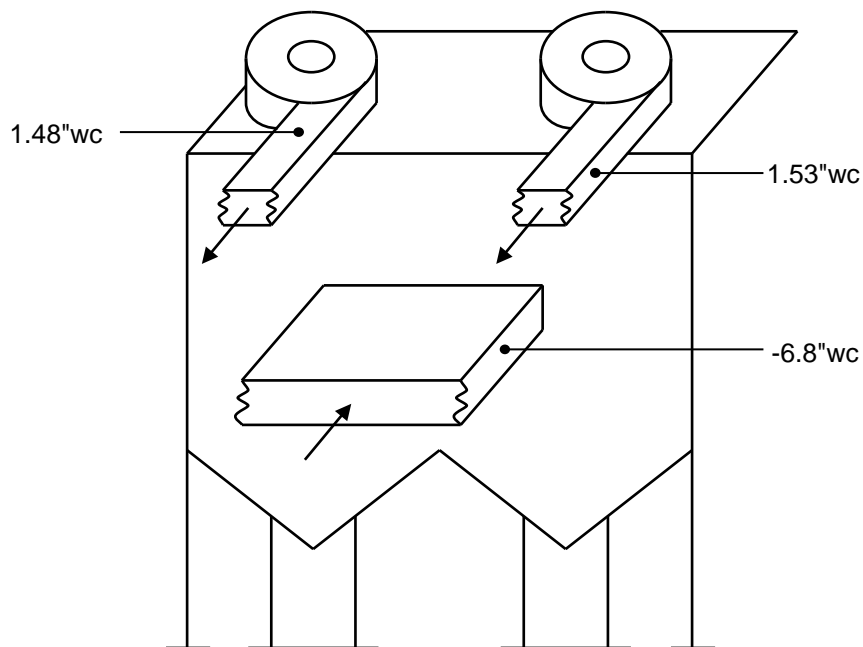
DATE: 7/27/2011

PAGE: 25 OF 44

PROJECT NAME: NEW CENTER FOR APPLIED TECHNOLOGY FOR
HARTNELL COMMUNITY COLLEGE AT HARTNELL COLLEGE EAST CAMPUS
WING 'B' FIRST FLOOR WELDING LAB EXHAUST

ADDRESS: 1752 EAST ALISAL STREET
SALINAS, CALIFORNIA

SYSTEM: DC-2 INLET & OUTLET



ALPHA AIR BALANCING AGENCY, INC.

P.O. BOX 3948, CARMEL, CALIFORNIA 93921

Phone # (831) 625-8195 Contractor's License # 708453

VELOCITY PROFILE

DATE: 7/21/2011

PAGE: 26 OF 44

PROJECT NAME: NEW CENTER FOR APPLIED TECHNOLOGY FOR
HARTNELL COMMUNITY COLLEGE AT HARTNELL COLLEGE EAST CAMPUS
WING 'B' FIRST FLOOR WELDING LAB EXHAUST

ADDRESS: 1752 EAST ALISAL STREET
SALINAS, CALIFORNIA

SYSTEM: DC-2 (WELDING BOOTH #12)

DESIGN CFM: NOT SPECIFIED DESIGN VELOCITY: NOT SPECIFIED

ACTUAL CFM: 1125 ACTUAL VELOCITY: 29

NET DIMENSIONS: 65"X86" NET FREE AREA S.F.: 38.8

TOTAL OF READINGS: 859 NUMBER OF READINGS: 30

AVERAGE VELOCITY: 29 CORRECTION FACTOR: 1.0

(as viewed from downstream)

-43	-55	-78	-82	-37
0	-40	-65	-45	-36
-29	-31	-35	-50	0
-25	-33	-33	-31	0
0	0	-33	0	0
0	0	0	0	-31

REMARKS:

ALPHA AIR BALANCING AGENCY, INC.

P.O. BOX 3948, CARMEL, CALIFORNIA 93921

Phone # (831) 625-8195 Contractor's License # 708453

VELOCITY PROFILE

DATE: 7/21/2011

PAGE: 27 OF 44

PROJECT NAME: NEW CENTER FOR APPLIED TECHNOLOGY FOR
HARTNELL COMMUNITY COLLEGE AT HARTNELL COLLEGE EAST CAMPUS
WING 'B' FIRST FLOOR WELDING LAB EXHAUST

ADDRESS: 1752 EAST ALISAL STREET
SALINAS, CALIFORNIA

SYSTEM: DC-2 (WELDING BOOTH #13)

DESIGN CFM: NOT SPECIFIED DESIGN VELOCITY: NOT SPECIFIED

ACTUAL CFM: 660 ACTUAL VELOCITY: 17

NET DIMENSIONS: 65"X86" NET FREE AREA S.F.: 38.8

TOTAL OF READINGS: 513 NUMBER OF READINGS: 30

AVERAGE VELOCITY: 17 CORRECTION FACTOR: 1.0

(as viewed from downstream)

+37	0	0	-30	0
-37	-29	0	-51	-25
-29	-60	-57	-68	-60
0	-31	-28	0	-37
0	-27	0	0	-39
0	0	0	0	0

REMARKS:

ALPHA AIR BALANCING AGENCY, INC.

P.O. BOX 3948, CARMEL, CALIFORNIA 93921

Phone # (831) 625-8195 Contractor's License # 708453

VELOCITY PROFILE

DATE: 7/21/2011

PAGE: 28 OF 44

PROJECT NAME: NEW CENTER FOR APPLIED TECHNOLOGY FOR
HARTNELL COMMUNITY COLLEGE AT HARTNELL COLLEGE EAST CAMPUS
WING 'B' FIRST FLOOR WELDING LAB EXHAUST

ADDRESS: 1752 EAST ALISAL STREET
SALINAS, CALIFORNIA

SYSTEM: DC-2 (WELDING BOOTH #14)

DESIGN CFM: NOT SPECIFIED DESIGN VELOCITY: NOT SPECIFIED

ACTUAL CFM: 815 ACTUAL VELOCITY: 21

NET DIMENSIONS: 65"X86" NET FREE AREA S.F.: 38.8

TOTAL OF READINGS: 616 NUMBER OF READINGS: 30

AVERAGE VELOCITY: 21 CORRECTION FACTOR: 1.0

(as viewed from downstream)

-65	-62	-82	-80	-63
-31	-33	-47	-34	-40
0	0	0	-26	0
0	0	-27	0	0
0	0	0	-26	0
0	0	0	0	0

REMARKS:

ALPHA AIR BALANCING AGENCY, INC.

P.O. BOX 3948, CARMEL, CALIFORNIA 93921

Phone # (831) 625-8195 Contractor's License # 708453

VELOCITY PROFILE

DATE: 7/21/2011

PAGE: 29 OF 44

PROJECT NAME: NEW CENTER FOR APPLIED TECHNOLOGY FOR
HARTNELL COMMUNITY COLLEGE AT HARTNELL COLLEGE EAST CAMPUS
WING 'B' FIRST FLOOR WELDING LAB EXHAUST

ADDRESS: 1752 EAST ALISAL STREET

SALINAS, CALIFORNIA

SYSTEM: DC-2 (WELDING BOOTH #15)

DESIGN CFM: NOT SPECIFIED DESIGN VELOCITY: NOT SPECIFIED

ACTUAL CFM: 776 ACTUAL VELOCITY: 20

NET DIMENSIONS: 65"X86" NET FREE AREA S.F.: 38.8

TOTAL OF READINGS: 586 NUMBER OF READINGS: 30

AVERAGE VELOCITY: 20 CORRECTION FACTOR: 1.0

(as viewed from downstream)

+40	-39	-42	-55	0
-31	-46	-73	-48	+56
-50	-44	-42	-38	-26
-30	0	-34	0	-31
0	0	0	0	0
0	0	0	0	0

REMARKS:

ALPHA AIR BALANCING AGENCY, INC.

P.O. BOX 3948, CARMEL, CALIFORNIA 93921

Phone # (831) 625-8195 Contractor's License # 708453

VELOCITY PROFILE

DATE: 7/21/2011

PAGE: 30 OF 44

PROJECT NAME: NEW CENTER FOR APPLIED TECHNOLOGY FOR
HARTNELL COMMUNITY COLLEGE AT HARTNELL COLLEGE EAST CAMPUS
WING 'B' FIRST FLOOR WELDING LAB EXHAUST

ADDRESS: 1752 EAST ALISAL STREET

SALINAS, CALIFORNIA

SYSTEM: DC-2 (WELDING BOOTH #24)

DESIGN CFM: NOT SPECIFIED DESIGN VELOCITY: NOT SPECIFIED

ACTUAL CFM: 931 ACTUAL VELOCITY: 23

NET DIMENSIONS: 65"X86" NET FREE AREA S.F.: 38.8

TOTAL OF READINGS: 711 NUMBER OF READINGS: 30

AVERAGE VELOCITY: 23 CORRECTION FACTOR: 1.0

(as viewed from downstream)

0	-29	-61	-99	-53
-61	-78	-56	-75	-48
-26	-39	-43	-43	0
0	0	0	0	0
0	0	0	0	0
0	0	0	0	0

REMARKS:

ALPHA AIR BALANCING AGENCY, INC.

P.O. BOX 3948, CARMEL, CALIFORNIA 93921

Phone # (831) 625-8195 Contractor's License # 708453

VELOCITY PROFILE

DATE: 7/21/2011

PAGE: 31 OF 44

PROJECT NAME: NEW CENTER FOR APPLIED TECHNOLOGY FOR
HARTNELL COMMUNITY COLLEGE AT HARTNELL COLLEGE EAST CAMPUS
WING 'B' FIRST FLOOR WELDING LAB EXHAUST

ADDRESS: 1752 EAST ALISAL STREET

SALINAS, CALIFORNIA

SYSTEM: DC-2 (WELDING BOOTH #25)

DESIGN CFM: NOT SPECIFIED DESIGN VELOCITY: NOT SPECIFIED

ACTUAL CFM: 931 ACTUAL VELOCITY: 24

NET DIMENSIONS: 65"X86" NET FREE AREA S.F.: 38.8

TOTAL OF READINGS: 716 NUMBER OF READINGS: 30

AVERAGE VELOCITY: 24 CORRECTION FACTOR: 1.0

(as viewed from downstream)

-48	-80	-63	-67	0
-65	-53	-50	-54	-49
-27	0	-57	-42	-37
0	-26	0	0	0
0	0	0	0	0
0	0	0	0	0

REMARKS:

ALPHA AIR BALANCING AGENCY, INC.

P.O. BOX 3948, CARMEL, CALIFORNIA 93921

Phone # (831) 625-8195 Contractor's License # 708453

VELOCITY PROFILE

DATE: 7/21/2011

PAGE: 32 OF 44

PROJECT NAME: NEW CENTER FOR APPLIED TECHNOLOGY FOR
HARTNELL COMMUNITY COLLEGE AT HARTNELL COLLEGE EAST CAMPUS
WING 'B' FIRST FLOOR WELDING LAB EXHAUST

ADDRESS: 1752 EAST ALISAL STREET
SALINAS, CALIFORNIA

SYSTEM: DC-2 (WELDING BOOTH #26)

DESIGN CFM: NOT SPECIFIED DESIGN VELOCITY: NOT SPECIFIED

ACTUAL CFM: 1009 ACTUAL VELOCITY: 26

NET DIMENSIONS: 65"X86" NET FREE AREA S.F.: 38.8

TOTAL OF READINGS: 774 NUMBER OF READINGS: 30

AVERAGE VELOCITY: 26 CORRECTION FACTOR: 1.0

(as viewed from downstream)

0	-58	-115	-54	+33
-63	-58	-78	-77	-83
-34	-50	0	-53	-47
-29	0	-25	-35	0
0	+31	0	0	0
0	0	0	0	0

REMARKS:

ALPHA AIR BALANCING AGENCY, INC.

P.O. BOX 3948, CARMEL, CALIFORNIA 93921

Phone # (831) 625-8195 Contractor's License # 708453

VELOCITY PROFILE

DATE: 7/21/2011

PAGE: 33 OF 44

PROJECT NAME: NEW CENTER FOR APPLIED TECHNOLOGY FOR
HARTNELL COMMUNITY COLLEGE AT HARTNELL COLLEGE EAST CAMPUS
WING 'B' FIRST FLOOR WELDING LAB EXHAUST

ADDRESS: 1752 EAST ALISAL STREET

SALINAS, CALIFORNIA

SYSTEM: DC-2 (WELDING BOOTH #27)

DESIGN CFM: NOT SPECIFIED DESIGN VELOCITY: NOT SPECIFIED

ACTUAL CFM: 1164 ACTUAL VELOCITY: 30

NET DIMENSIONS: 65"X86" NET FREE AREA S.F.: 38.8

TOTAL OF READINGS: 899 NUMBER OF READINGS: 30

AVERAGE VELOCITY: 30 CORRECTION FACTOR: 1.0

(as viewed from downstream)

-34	-60	-68	-74	-70
-53	-51	-60	-57	-50
-42	-41	-27	-43	-36
-41	-45	-37	-47	-35
0	0	0	0	0
0	0	0	0	0

REMARKS:

ALPHA AIR BALANCING AGENCY, INC.

P.O. BOX 3948, CARMEL, CALIFORNIA 93921

Phone # (831) 625-8195 Contractor's License # 708453

VELOCITY PROFILE

DATE: 7/21/2011

PAGE: 34 OF 44

PROJECT NAME: NEW CENTER FOR APPLIED TECHNOLOGY FOR
HARTNELL COMMUNITY COLLEGE AT HARTNELL COLLEGE EAST CAMPUS
WING 'B' FIRST FLOOR WELDING LAB EXHAUST

ADDRESS: 1752 EAST ALISAL STREET
SALINAS, CALIFORNIA

SYSTEM: DC-2 (WELDING BOOTH #28)

DESIGN CFM: NOT SPECIFIED DESIGN VELOCITY: NOT SPECIFIED

ACTUAL CFM: 1086 ACTUAL VELOCITY: 28

NET DIMENSIONS: 65"X86" NET FREE AREA S.F.: 38.8

TOTAL OF READINGS: 833 NUMBER OF READINGS: 30

AVERAGE VELOCITY: 28 CORRECTION FACTOR: 1.0

(as viewed from downstream)

0	-67	-102	-97	-41
-54	-57	-70	-68	-72
-43	-42	-50	-31	-59
0	+28	-42	-35	-28
0	0	0	0	0
0	0	0	0	0

REMARKS:

ALPHA AIR BALANCING AGENCY, INC.

P.O. BOX 3948, CARMEL, CALIFORNIA 93921

Phone # (831) 625-8195 Contractor's License # 708453

VELOCITY PROFILE

DATE: 7/21/2011

PAGE: 35 OF 44

PROJECT NAME: NEW CENTER FOR APPLIED TECHNOLOGY FOR
HARTNELL COMMUNITY COLLEGE AT HARTNELL COLLEGE EAST CAMPUS
WING 'B' FIRST FLOOR WELDING LAB EXHAUST

ADDRESS: 1752 EAST ALISAL STREET
SALINAS, CALIFORNIA

SYSTEM: DC-2 (WELDING BOOTH #29)

DESIGN CFM: NOT SPECIFIED DESIGN VELOCITY: NOT SPECIFIED

ACTUAL CFM: 1590 ACTUAL VELOCITY: 41

NET DIMENSIONS: 65"X86" NET FREE AREA S.F.: 38.8

TOTAL OF READINGS: 1237 NUMBER OF READINGS: 30

AVERAGE VELOCITY: 41 CORRECTION FACTOR: 1.0

(as viewed from downstream)

-65	-84	-88	-98	-83
-98	-44	-65	-68	-53
-117	0	-42	-49	-50
-48	-50	-35	-28	-33
-34	0	0	0	0
0	0	0	0	0

REMARKS:

ALPHA AIR BALANCING AGENCY, INC.

P.O. BOX 3948, CARMEL, CALIFORNIA 93921

Phone # (831) 625-8195 Contractor's License # 708453

VELOCITY PROFILE

DATE: 7/21/2011

PAGE: 36 OF 44

PROJECT NAME: NEW CENTER FOR APPLIED TECHNOLOGY FOR
HARTNELL COMMUNITY COLLEGE AT HARTNELL COLLEGE EAST CAMPUS
WING 'B' FIRST FLOOR WELDING LAB EXHAUST

ADDRESS: 1752 EAST ALISAL STREET
SALINAS, CALIFORNIA

SYSTEM: DC-2 (WELDING BOOTH #30)

DESIGN CFM: NOT SPECIFIED DESIGN VELOCITY: NOT SPECIFIED

ACTUAL CFM: 1164 ACTUAL VELOCITY: 30

NET DIMENSIONS: 65"X86" NET FREE AREA S.F.: 38.8

TOTAL OF READINGS: 888 NUMBER OF READINGS: 30

AVERAGE VELOCITY: 30 CORRECTION FACTOR: 1.0

(as viewed from downstream)

-57	-93	-91	-68	-32
-67	-60	-68	-68	-43
-54	-38	-26	-40	-27
0	0	-26	-27	0
0	-28	+29	+28	0
0	0	0	0	0

REMARKS:

ALPHA AIR BALANCING AGENCY, INC.

P.O. BOX 3948, CARMEL, CALIFORNIA 93921

Phone # (831) 625-8195 Contractor's License # 708453

VELOCITY PROFILE

DATE: 7/27/2011

PAGE: 37 OF 44

PROJECT NAME: NEW CENTER FOR APPLIED TECHNOLOGY FOR
HARTNELL COMMUNITY COLLEGE AT HARTNELL COLLEGE EAST CAMPUS
WING 'B' FIRST FLOOR WELDING LAB EXHAUST

ADDRESS: 1752 EAST ALISAL STREET

SALINAS, CALIFORNIA

SYSTEM: DC-2 (WELDING BOOTH #31)

DESIGN CFM: NOT SPECIFIED DESIGN VELOCITY: NOT SPECIFIED

ACTUAL CFM: 1241 ACTUAL VELOCITY: 32

NET DIMENSIONS: 65"X86" NET FREE AREA S.F.: 38.8

TOTAL OF READINGS: 949 NUMBER OF READINGS: 30

AVERAGE VELOCITY: 32 CORRECTION FACTOR: 1.0

(as viewed from downstream)

-63	-78	-88	-79	-42
-57	-61	-49	-55	-43
-43	0	-39	-42	-43
-58	0	-38	-27	-37
-27	0	0	-40	0
0	0	0	-33	0

REMARKS:

ALPHA AIR BALANCING AGENCY, INC.

P.O. BOX 3948, CARMEL, CALIFORNIA 93921

Phone # (831) 625-8195 Contractor's License # 708453

VELOCITY PROFILE

DATE: 7/27/2011

PAGE: 38 OF 44

PROJECT NAME: NEW CENTER FOR APPLIED TECHNOLOGY FOR
HARTNELL COMMUNITY COLLEGE AT HARTNELL COLLEGE EAST CAMPUS
WING 'B' FIRST FLOOR WELDING LAB EXHAUST

ADDRESS: 1752 EAST ALISAL STREET

SALINAS, CALIFORNIA

SYSTEM: DC-2 (WELDING BOOTH #32)

DESIGN CFM: NOT SPECIFIED DESIGN VELOCITY: NOT SPECIFIED

ACTUAL CFM: 1048 ACTUAL VELOCITY: 27

NET DIMENSIONS: 65"X86" NET FREE AREA S.F.: 38.8

TOTAL OF READINGS: 802 NUMBER OF READINGS: 30

AVERAGE VELOCITY: 27 CORRECTION FACTOR: 1.0

(as viewed from downstream)

-40	-73	-92	-84	-56
-38	-48	-63	-69	-70
-25	-34	-42	-37	-32
0	-31	0	0	-28
+25	+35	0	0	0
0	0	-35	0	0

REMARKS:

ALPHA AIR BALANCING AGENCY, INC.

P.O. BOX 3948, CARMEL, CALIFORNIA 93921

Phone # (831) 625-8195 Contractor's License # 708453

VELOCITY PROFILE

DATE: 7/27/2011

PAGE: 39 OF 44

PROJECT NAME: NEW CENTER FOR APPLIED TECHNOLOGY FOR
HARTNELL COMMUNITY COLLEGE AT HARTNELL COLLEGE EAST CAMPUS
WING 'B' FIRST FLOOR WELDING LAB EXHAUST

ADDRESS: 1752 EAST ALISAL STREET
SALINAS, CALIFORNIA

SYSTEM: DC-2 (WELDING BOOTH #33)

DESIGN CFM: NOT SPECIFIED DESIGN VELOCITY: NOT SPECIFIED

ACTUAL CFM: 931 ACTUAL VELOCITY: 24

NET DIMENSIONS: 65"X86" NET FREE AREA S.F.: 38.8

TOTAL OF READINGS: 719 NUMBER OF READINGS: 30

AVERAGE VELOCITY: 24 CORRECTION FACTOR: 1.0

(as viewed from downstream)

-42	-68	-67	-80	-44
-25	-48	-42	-54	-63
-46	-28	-58	-36	-35
-52	-26	-28	-27	0
-25	-30	0	0	0
0	0	-40	0	-33

REMARKS:

ALPHA AIR BALANCING AGENCY, INC.

P.O. BOX 3948, CARMEL, CALIFORNIA 93921

Phone # (831) 625-8195 Contractor's License # 708453

VELOCITY PROFILE

DATE: 7/27/2011

PAGE: 40 OF 44

PROJECT NAME: NEW CENTER FOR APPLIED TECHNOLOGY FOR
HARTNELL COMMUNITY COLLEGE AT HARTNELL COLLEGE EAST CAMPUS
WING 'B' FIRST FLOOR WELDING LAB EXHAUST

ADDRESS: 1752 EAST ALISAL STREET
SALINAS, CALIFORNIA

SYSTEM: DC-2 (WELDING BOOTH #34)

DESIGN CFM: NOT SPECIFIED DESIGN VELOCITY: NOT SPECIFIED

ACTUAL CFM: 1280 ACTUAL VELOCITY: 33

NET DIMENSIONS: 65"X86" NET FREE AREA S.F.: 38.8

TOTAL OF READINGS: 973 NUMBER OF READINGS: 30

AVERAGE VELOCITY: 33 CORRECTION FACTOR: 1.0

(as viewed from downstream)

-48	-63	-92	-88	-69
-63	-58	-53	-57	-74
-37	-47	-35	-29	0
0	-30	0	0	+45
0	-31	-25	0	0
0	0	-27	0	0

REMARKS:

ALPHA AIR BALANCING AGENCY, INC.

P.O. BOX 3948, CARMEL, CALIFORNIA 93921

Phone # (831) 625-8195 Contractor's License # 708453

VELOCITY PROFILE

DATE: 7/27/2011

PAGE: 41 OF 44

PROJECT NAME: NEW CENTER FOR APPLIED TECHNOLOGY FOR
HARTNELL COMMUNITY COLLEGE AT HARTNELL COLLEGE EAST CAMPUS
WING 'B' FIRST FLOOR WELDING LAB EXHAUST

ADDRESS: 1752 EAST ALISAL STREET
SALINAS, CALIFORNIA

SYSTEM: DC-2 (WELDING BOOTH #35)

DESIGN CFM: NOT SPECIFIED DESIGN VELOCITY: NOT SPECIFIED

ACTUAL CFM: 1629 ACTUAL VELOCITY: 42

NET DIMENSIONS: 65"X86" NET FREE AREA S.F.: 38.8

TOTAL OF READINGS: 1255 NUMBER OF READINGS: 30

AVERAGE VELOCITY: 42 CORRECTION FACTOR: 1.0

(as viewed from downstream)

-57	-95	-87	-97	-65
-68	-51	-56	-77	-102
-59	-42	-46	-48	-31
-28	-56	-41	-45	-38
0	-63	-43	-31	-62
0	0	-28	0	0

REMARKS:

ALPHA AIR BALANCING AGENCY, INC.

P.O. BOX 3948, CARMEL, CALIFORNIA 93921

Phone # (831) 625-8195 Contractor's License # 708453

VELOCITY PROFILE

DATE: 7/27/2011

PAGE: 42 OF 44

PROJECT NAME: NEW CENTER FOR APPLIED TECHNOLOGY FOR
HARTNELL COMMUNITY COLLEGE AT HARTNELL COLLEGE EAST CAMPUS
WING 'B' FIRST FLOOR WELDING LAB EXHAUST

ADDRESS: 1752 EAST ALISAL STREET

SALINAS, CALIFORNIA

SYSTEM: DC-2 (WELDING BOOTH #36)

DESIGN CFM: NOT SPECIFIED DESIGN VELOCITY: NOT SPECIFIED

ACTUAL CFM: 1333 ACTUAL VELOCITY: 63

NET DIMENSIONS: 37.5"X81.25" NET FREE AREA S.F.: 21.159

TOTAL OF READINGS: 940 NUMBER OF READINGS: 15

AVERAGE VELOCITY: 63 CORRECTION FACTOR: 1.0

(as viewed from downstream)

-77	-90	-79
-72	-77	-74
-60	-75	-67
-37	-48	-40
-37	-55	-52

REMARKS:

ALPHA AIR BALANCING AGENCY, INC.

P.O. BOX 3948, CARMEL, CALIFORNIA 93921

Phone # (831) 625-8195 Contractor's License # 708453

VELOCITY PROFILE

DATE: 7/27/2011

PAGE: 43 OF 44

PROJECT NAME: NEW CENTER FOR APPLIED TECHNOLOGY FOR
HARTNELL COMMUNITY COLLEGE AT HARTNELL COLLEGE EAST CAMPUS
WING 'B' FIRST FLOOR WELDING LAB EXHAUST

ADDRESS: 1752 EAST ALISAL STREET
SALINAS, CALIFORNIA

SYSTEM: DC-2 (WELDING BOOTH #37)

DESIGN CFM: NOT SPECIFIED DESIGN VELOCITY: NOT SPECIFIED

ACTUAL CFM: 1311 ACTUAL VELOCITY: 62

NET DIMENSIONS: 37.5"X81.25" NET FREE AREA S.F.: 21.159

TOTAL OF READINGS: 922 NUMBER OF READINGS: 15

AVERAGE VELOCITY: 62 CORRECTION FACTOR: 1.0

(as viewed from downstream)

-62	-80	-74
-75	-53	-63
-70	-85	-58
-53	-63	-51
-47	-51	-37

REMARKS:

ALPHA AIR BALANCING AGENCY, INC.

P.O. BOX 3948, CARMEL, CALIFORNIA 93921

Phone # (831) 625-8195 Contractor's License # 708453

VELOCITY PROFILE

DATE: 7/27/2011

PAGE: 44 OF 44

PROJECT NAME: NEW CENTER FOR APPLIED TECHNOLOGY FOR
HARTNELL COMMUNITY COLLEGE AT HARTNELL COLLEGE EAST CAMPUS
WING 'B' FIRST FLOOR WELDING LAB EXHAUST

ADDRESS: 1752 EAST ALISAL STREET
SALINAS, CALIFORNIA

SYSTEM: DC-2 (WELDING BOOTH #38)

DESIGN CFM: NOT SPECIFIED DESIGN VELOCITY: NOT SPECIFIED

ACTUAL CFM: 1819 ACTUAL VELOCITY: 86

NET DIMENSIONS: 37.5"X81.25" NET FREE AREA S.F.: 21.159

TOTAL OF READINGS: 1295 NUMBER OF READINGS: 15

AVERAGE VELOCITY: 86 CORRECTION FACTOR: 1.0

(as viewed from downstream)

-103	-122	-110
-77	-103	-107
-54	-84	-82
-53	-86	-91
-63	-87	-73

REMARKS: