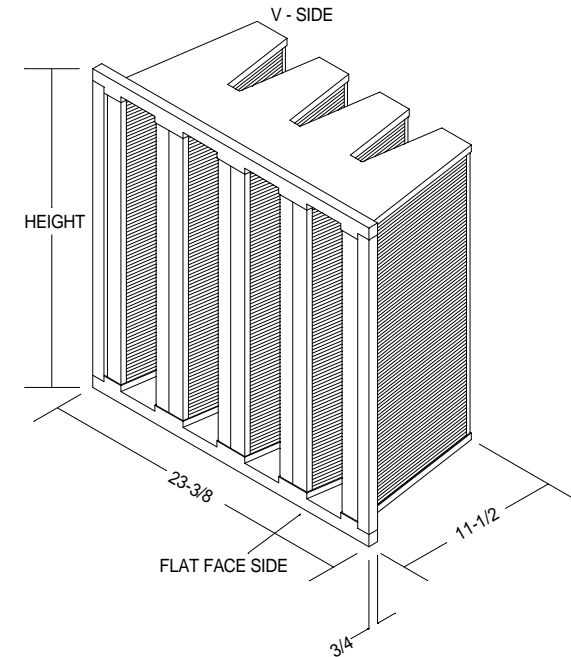


Size (inches) Nominal W x H x D	Size (inches) Actual W x H x D	Koch Part Number	Capacity (CFM)	Resistance (inches W.G.)	Media Area (Sq. Ft.)	MERV Performance	Average Efficiency
24 x 24 x 12	23-3/8 x 23-3/8 x 11-1/2	111-601-101	2000	.36	194	14	95%
20 x 24 x 12	19-3/8 x 23-3/8 x 11-1/2	111-601-102	1675	.36	162	14	95%
12 x 24 x 12	11-3/8 x 23-3/8 x 11-1/2	111-601-103	1000	.36	98	14	95%
24 x 24 x 12	23-3/8 x 23-3/8 x 11-1/2	111-602-101	2000	.27	194	13	85%
20 x 24 x 12	19-3/8 x 23-3/8 x 11-1/2	111-602-102	1675	.27	162	13	85%
12 x 24 x 12	11-3/8 x 23-3/8 x 11-1/2	111-602-103	1000	.27	98	13	85%
24 x 24 x 12	23-3/8 x 23-3/8 x 11-1/2	111-603-101	2000	.26	194	12	75%
20 x 24 x 12	19-3/8 x 23-3/8 x 11-1/2	111-603-102	1675	.26	162	12	75%
12 x 24 x 12	11-3/8 x 23-3/8 x 11-1/2	111-603-103	1000	.26	98	12	75%
24 x 24 x 12	23-3/8 x 23-3/8 x 11-1/2	111-604-101	2000	.25	194	11	65%
20 x 24 x 12	19-3/8 x 23-3/8 x 11-1/2	111-604-102	1675	.25	162	11	65%
12 x 24 x 12	11-3/8 x 23-3/8 x 11-1/2	111-604-103	1000	.25	98	11	65%



Standard Construction:

1. Water Repellant Microfiberglass Media
2. Media Packs: Mini-pleated with Hotmelt Bead Separator
3. Frame: High Impact Polystyrene Construction
4. Sealant: Solid Polyurethane in all Vertical Supports
5. Media Packs sealed to End Panels

Specifications:

1. Final Resistance: 2.0" W.G.
2. Rated Velocity: 500 FPM
3. Maximum Burst Pressure: 25.0" W.G.
4. UL Rating - Class 2 per UL Standard 900
5. Maximum Operating Temperature: 180 degrees Fahrenheit and 82 degrees Celsius
6. Tolerance: Height & Width - +0 / - 1/8"
7. Tolerance: Depth - +/- 1/16"
8. MERV Rating - ASHRAE Standard 52.2-2007
9. Average Efficiency - ASHRAE Standard 52.1-1992



Koch Filter Corporation
 Filtration Products Crafted with Pride
 P.O. Box 3186 - Louisville KY 40201
 625 W. Hill Street - Louisville KY 40208
 Phone: (502) 634-4796 FAX: (502) 637-2280

DuraMAX 4V
Microfiberglass Media

Drawn By:

Brent Chamberlain

Date:

December 1, 2009

Revision

A