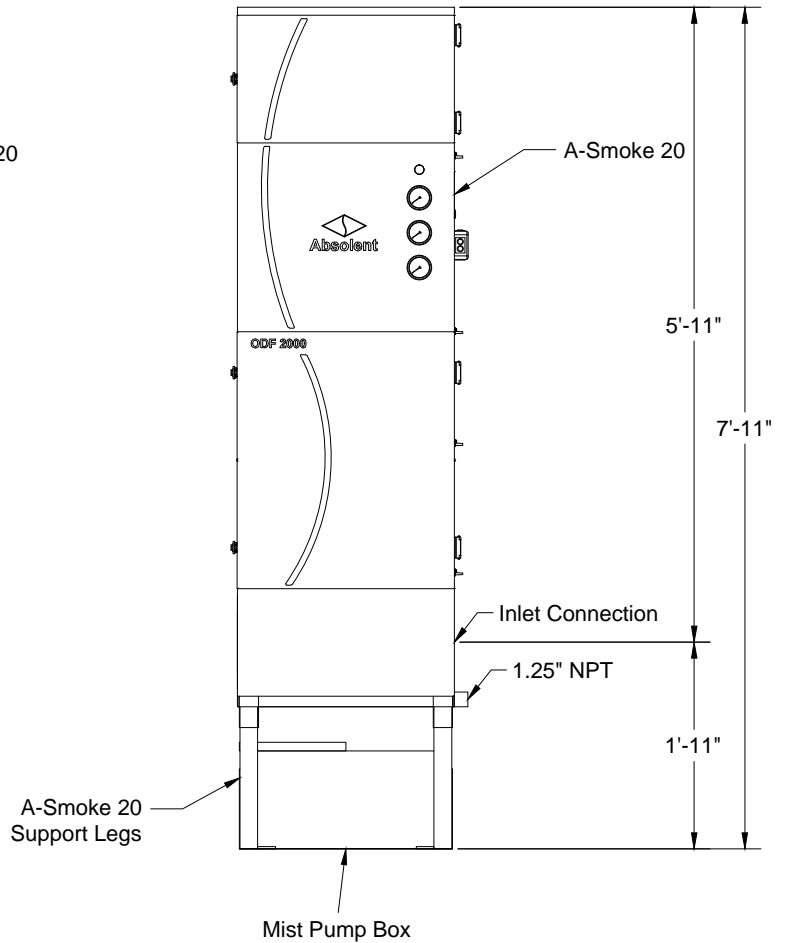
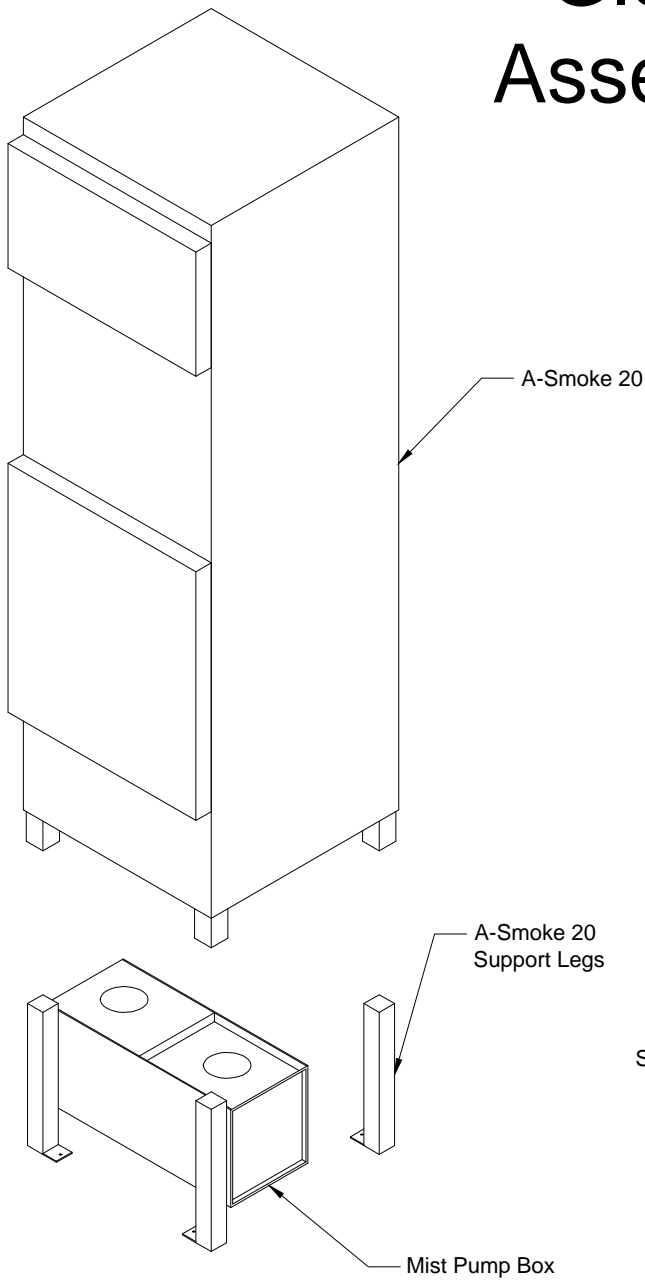


# Gleason Works Assembly Drawing



Avani Environmental Intl.  
95 Cypress Drive  
Youngsville, NC 27596  
P# 919-570-2862 F# 919-570-2863

**Avani**

Project: Gleason Works

Drawing: Assembly Drawings

Date: 12/12/13

Drawn by:MDT

Sheet No: 1 OF 1

Rev.: 1