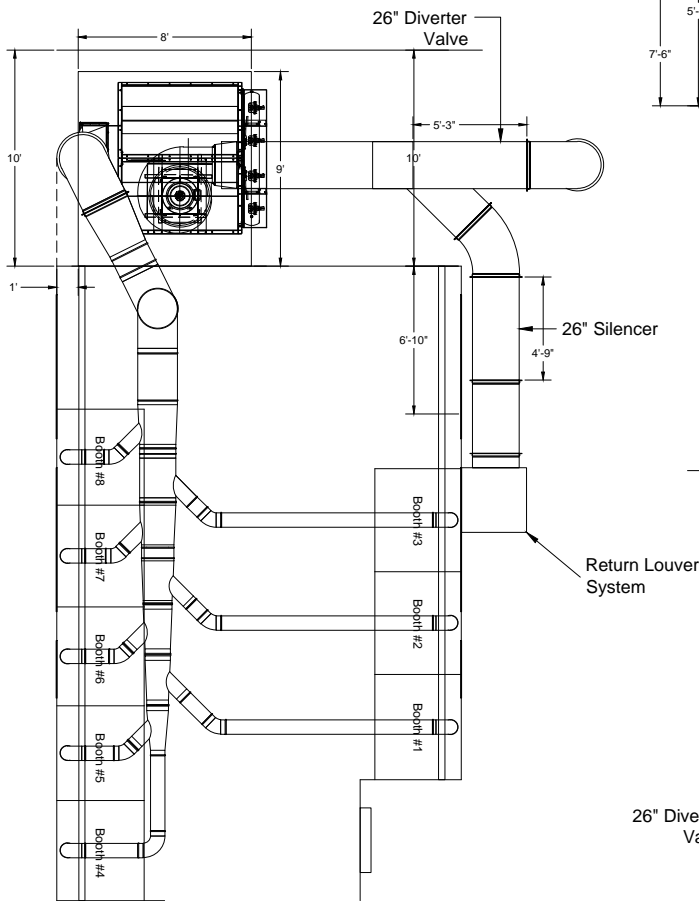


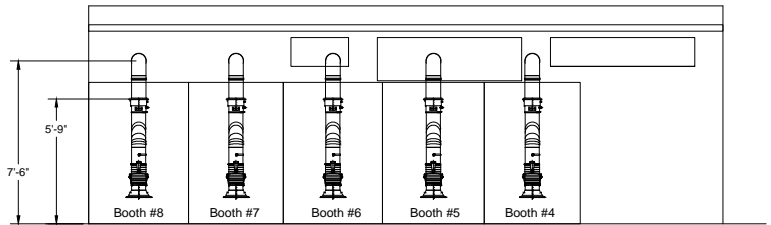
Gendco SO#20799

Revised Drawing

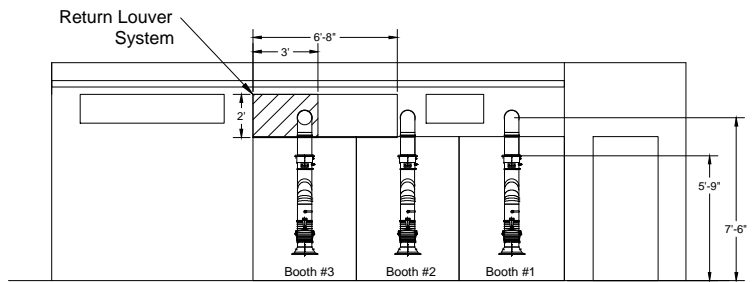
Duct Layout



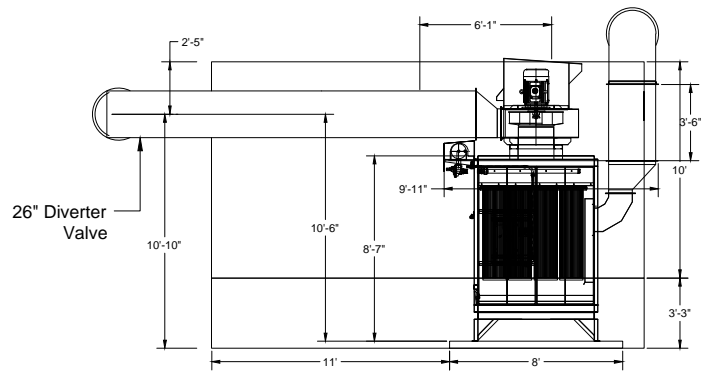
Plan View



West Elevation Interior



East Elevation Interior



North Elevation Exterior

Notes:

1. Clamp together duct to support from ceiling
2. Silencer attached off of fan
3. Arms to be supported off of booths
4. Avani Environmental standard installation crew is quoted out per day based on the above drawings and approvals. Any changes, modifications, downtime, or inability to perform our work above and beyond the control of Avani Environmental will charge an additional \$1,000 per work day (5 or more hours) per crew above what was initially quoted.

Avani Environmental Intl. Inc.
95 Cypress Drive
Youngsville, NC 27596
P# 919-488-2862 F# 919-488-2863

Avani

Project: Gendco SO20799

Drawing: Approval Drawing

Date: 9/29/14

Drawn by: MAC

Sheet No: 1 OF 1

Rev: 3