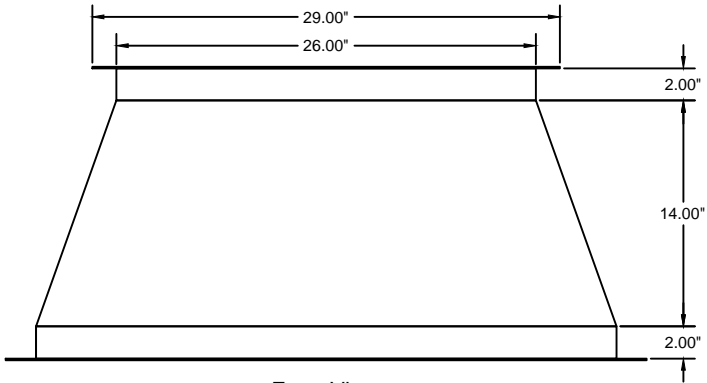
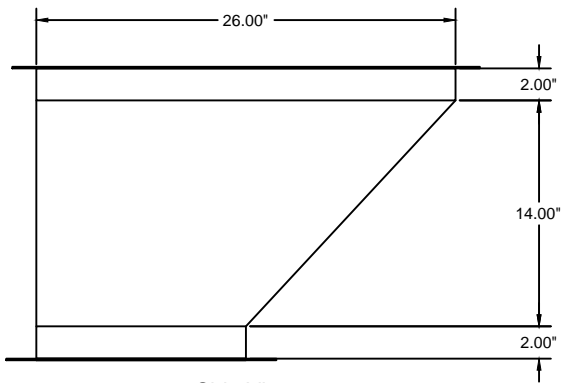


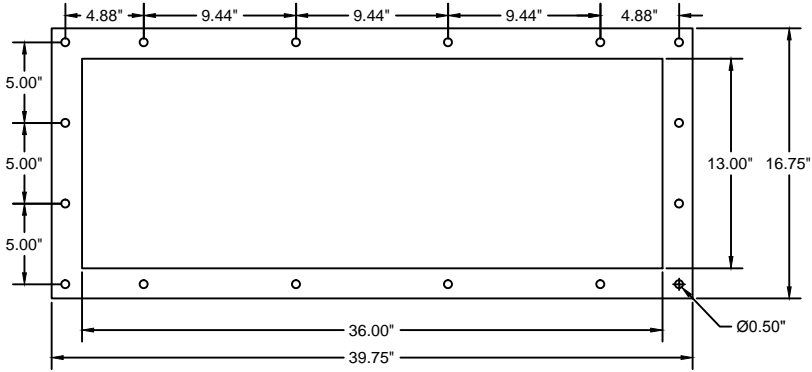
Gendco SO20799 Rect to Round Connection



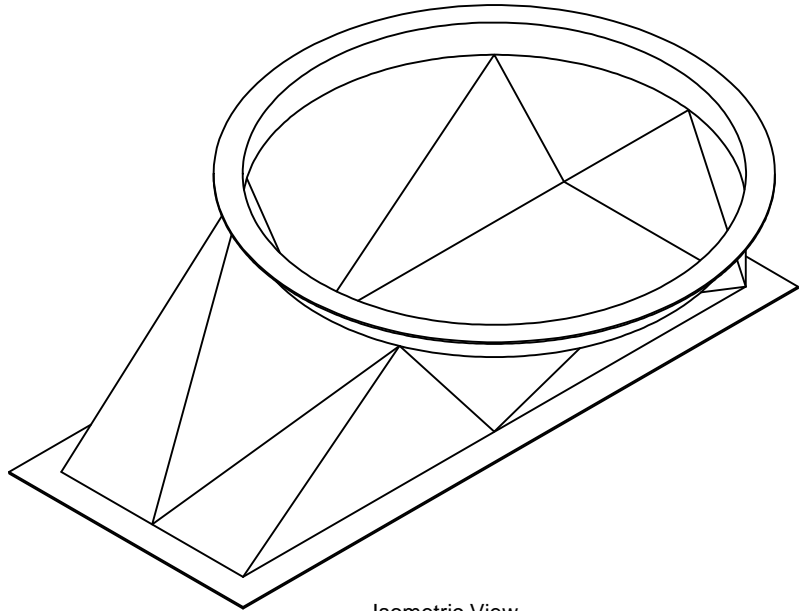
Front View



Side View



Flange View



Isometric View

Avani Environmental Intl. Inc.
 95 Cypress Drive
 Youngsville, NC 27596
 P# 919-570-2862 F# 919-570-2863

Avani

Drawing: 26" Round to Rect	
Date: 4/1/14	Drawn by: MDT
Sheet No: 1 OF 1	