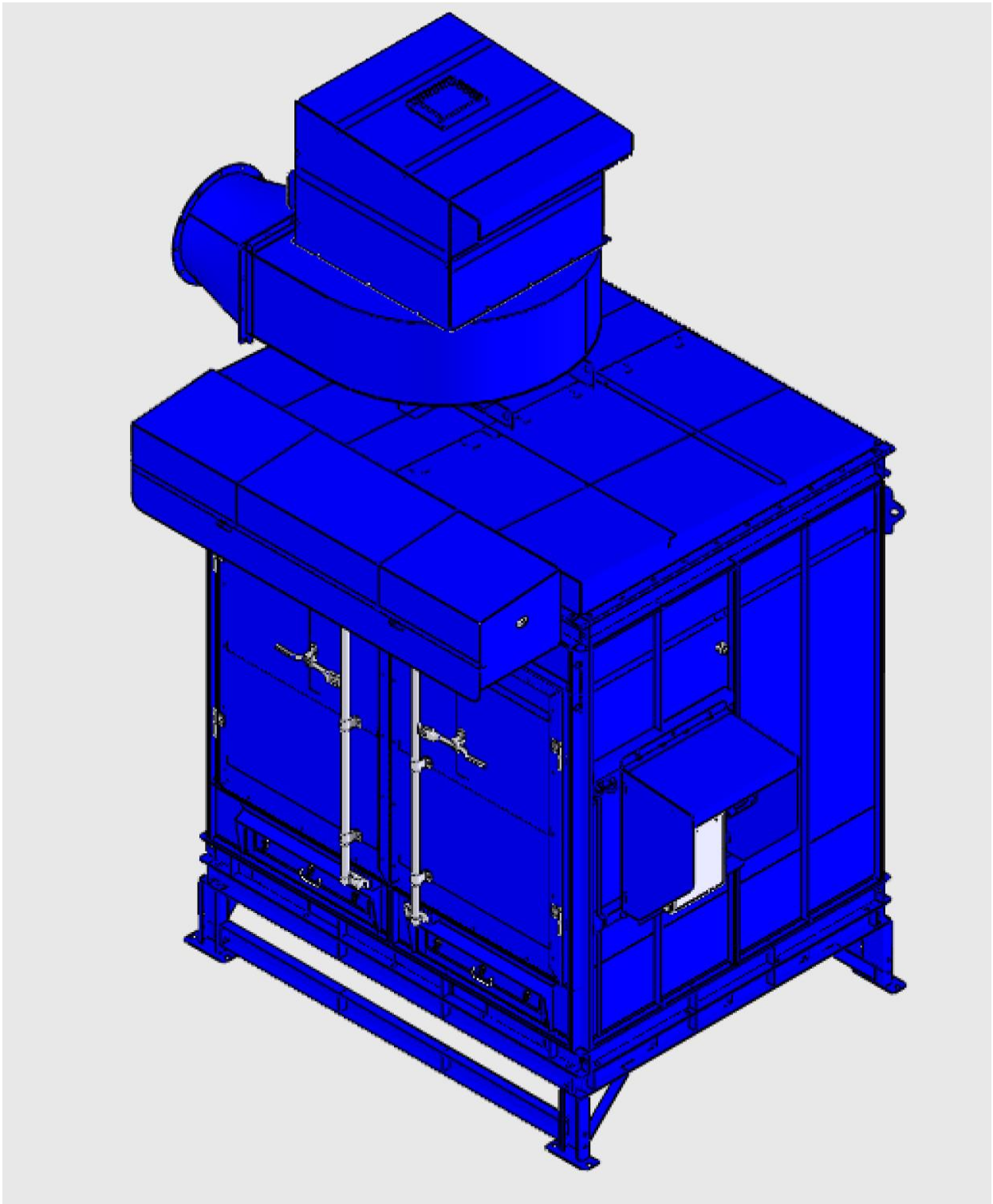
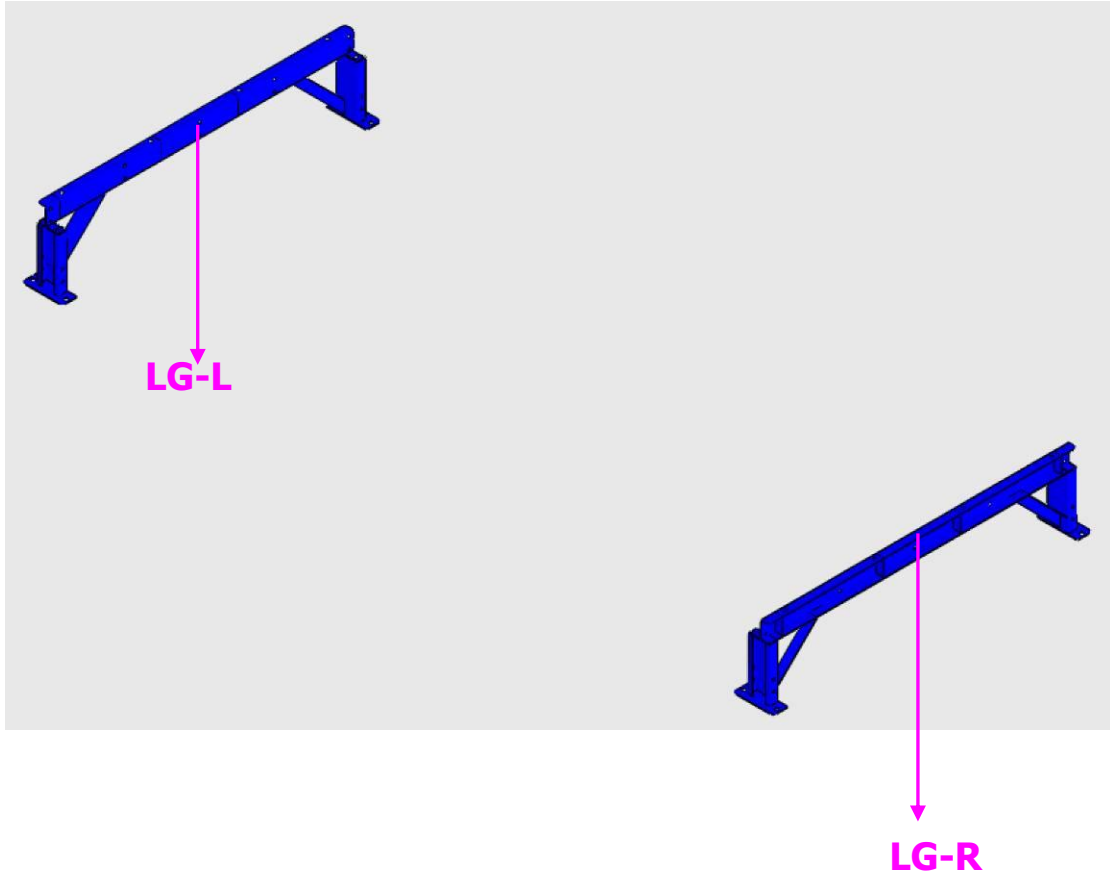


+ Installations for the unit for SDC-30-16MDF.






✚ Installations for the unit for SDC-30-16MDF.

- Take out the number: **LG-L** and **LG-R**
- Put **LG-L** and **LG-R** on the ground.



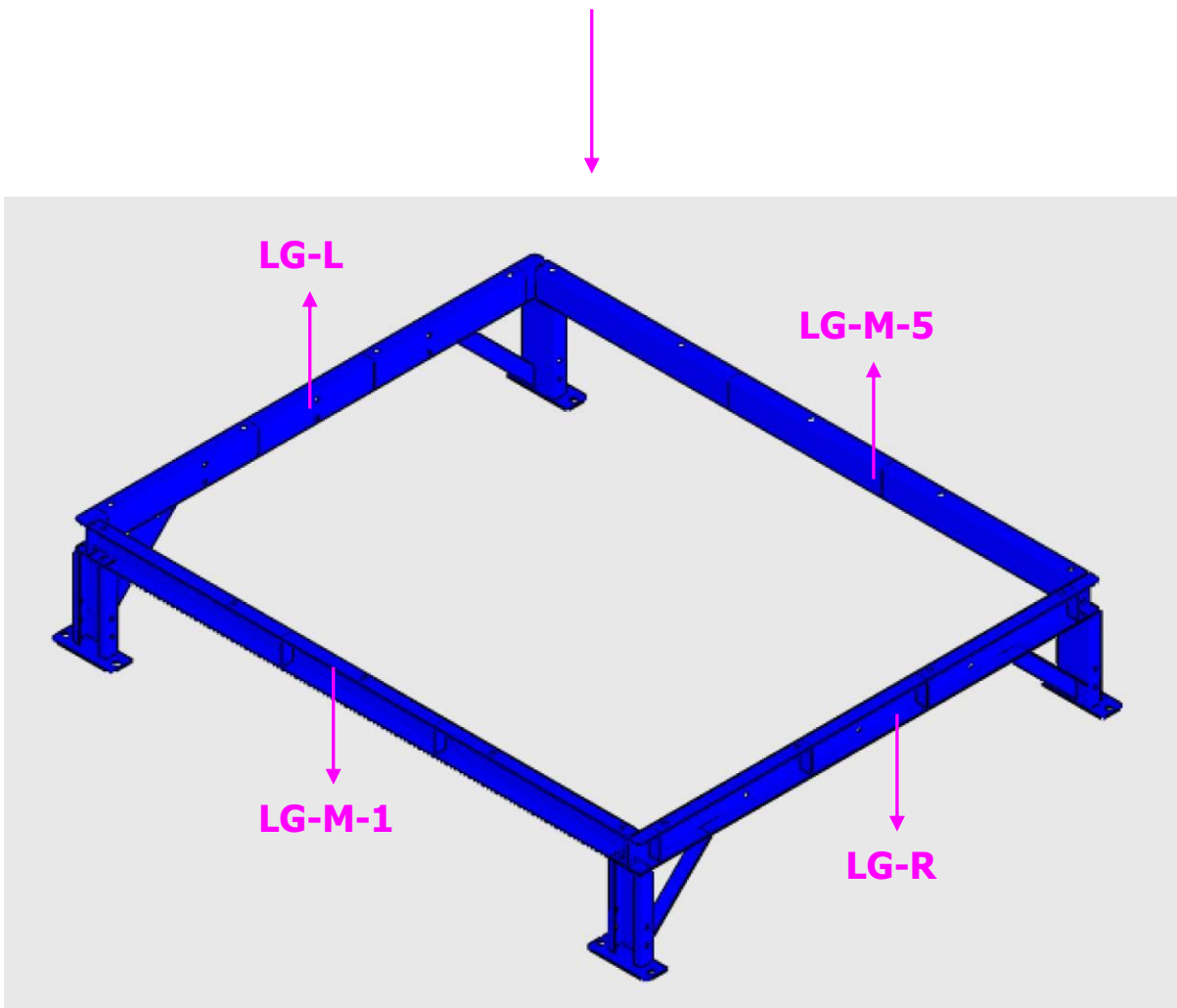
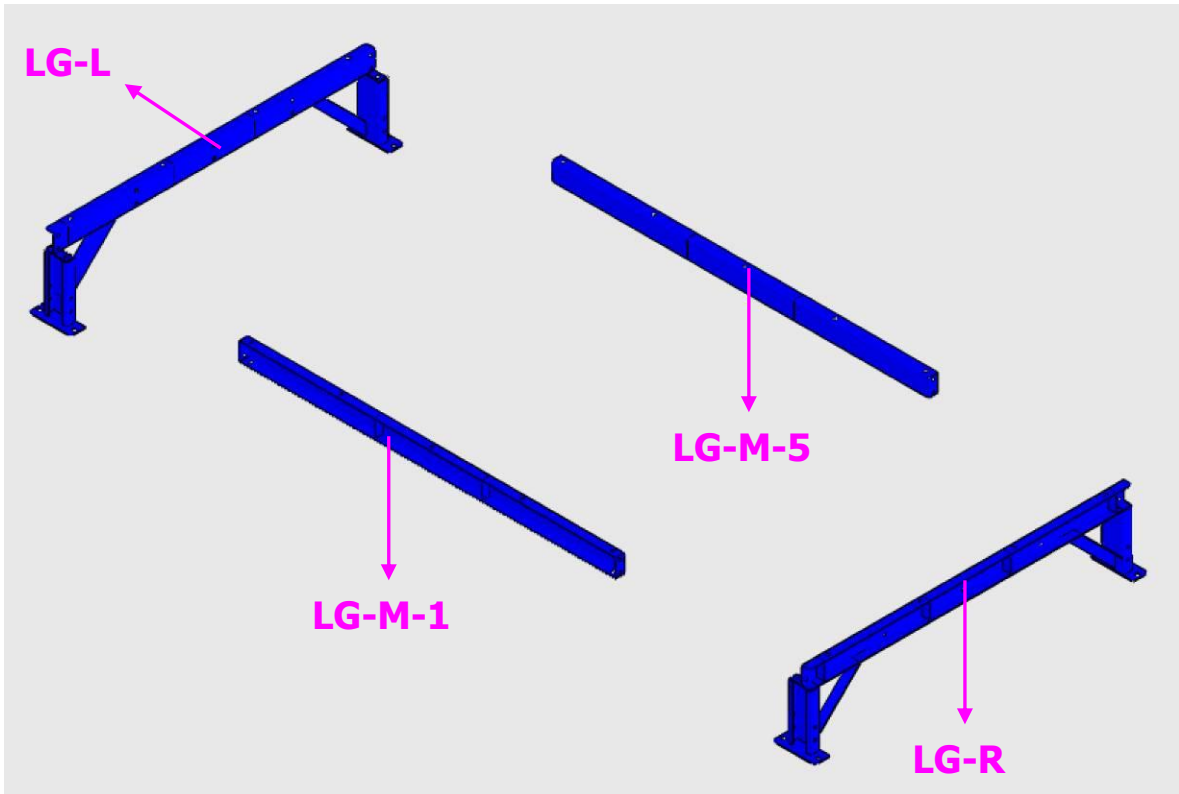
✦ Installations for the unit for SDC-30-16MDF.

- Take out the number: **LG-M-1** and **LG-M-5**.
- Fasten **LG-M-1** and **LG-M-5** to **LG-L** and **LG-R** with:

Hardware 8				
Part name	Description	Photo	Q'ty	Grainger Model #
Hex Screw	1/2" x 1"		12	1YU61
Flat Washer	1/2" x OD25 x 2T		24	*1JY35
Hex Nut	1/2"		12	2FE67

(* Hardware item at similar spec available locally.




✦ Installations for the unit for SDC-30-16MDF.



✚ Installations for the unit for SDC-30-16MDF.

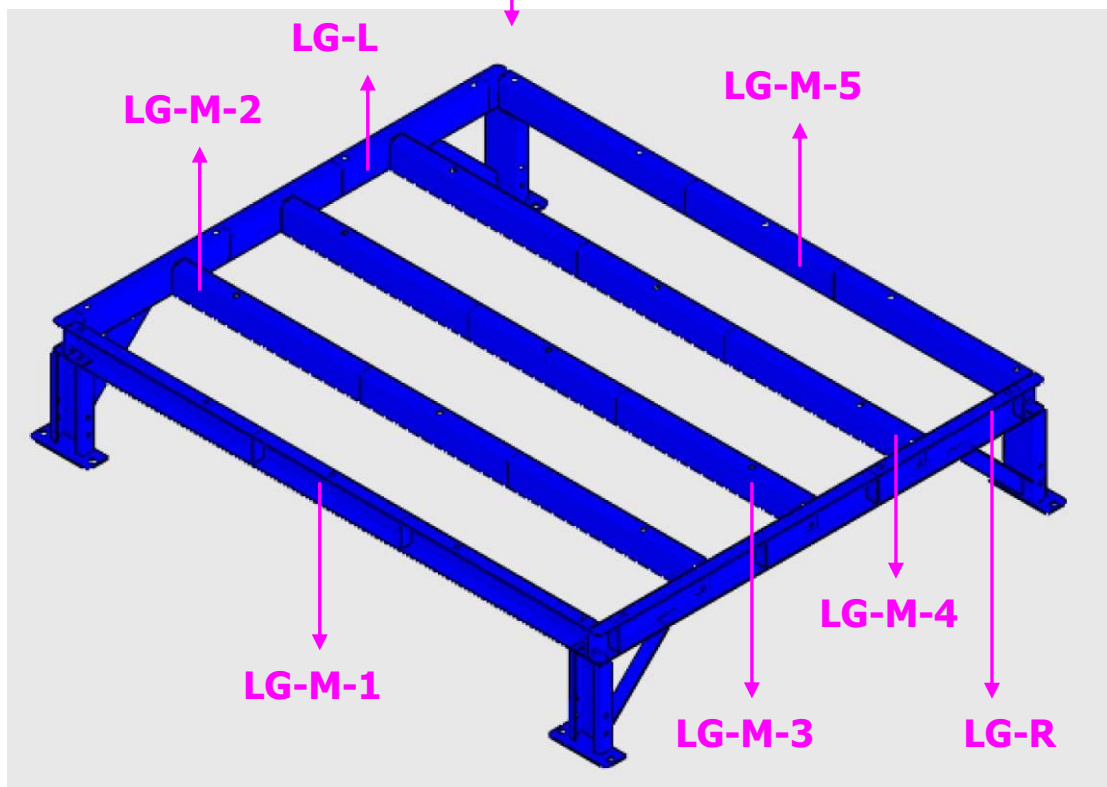
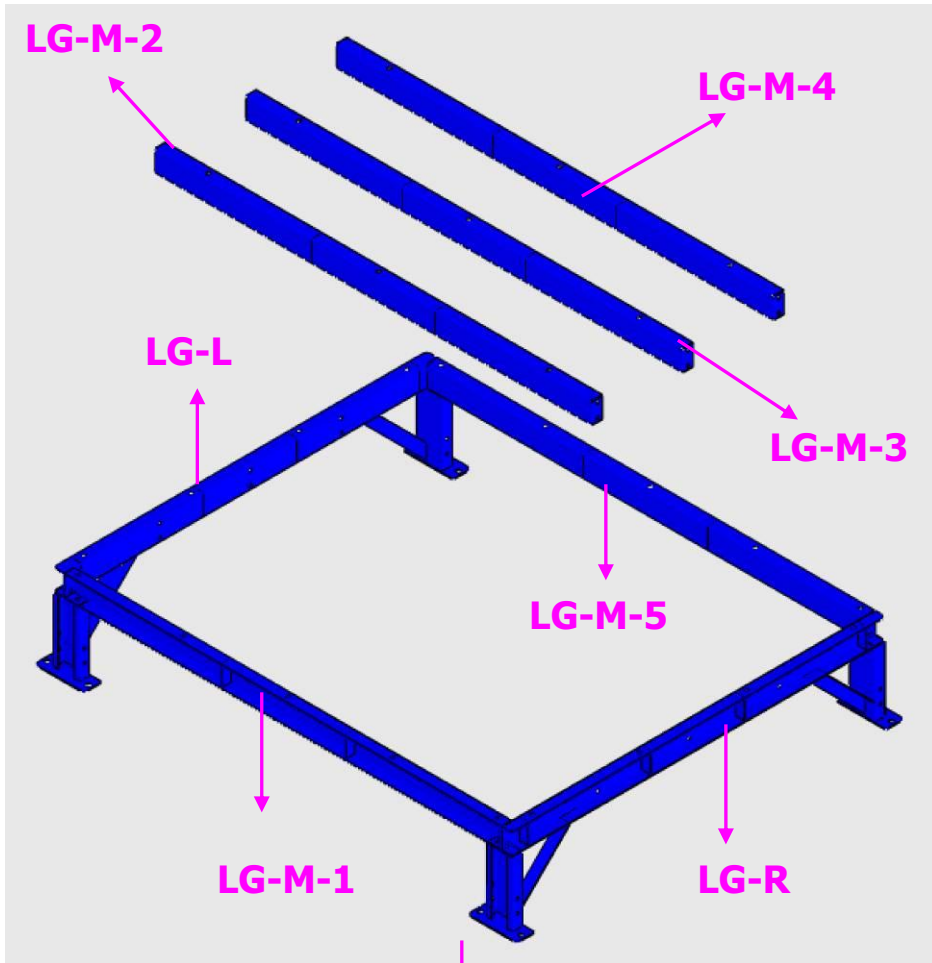
- Take out the number: **LG-M-2**, **LG-M-3** and **LG-M-4**.
- Fasten **LG-M-2**, **LG-M-3** and **LG-M-4** to **LG-L** and **LG-R**

with:

Hardware 8				
Part name	Description	Photo	Q'ty	Grainger Model #
Hex Screw	1/2" x 1"		12	1YU61
Flat Washer	1/2" x OD25 x 2T		24	*1JY35
Hex Nut	1/2"		12	2FE67




(* Hardware item at similar spec available locally.

✦ Installations for the unit for SDC-30-16MDF.



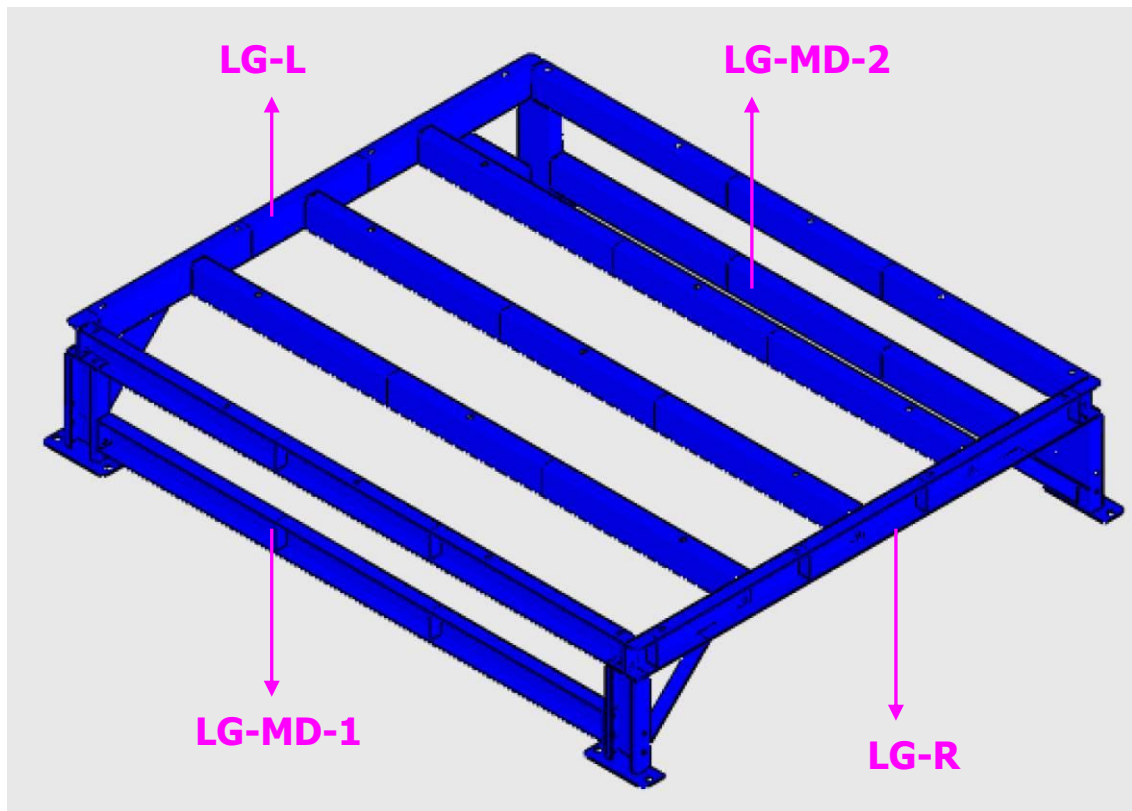
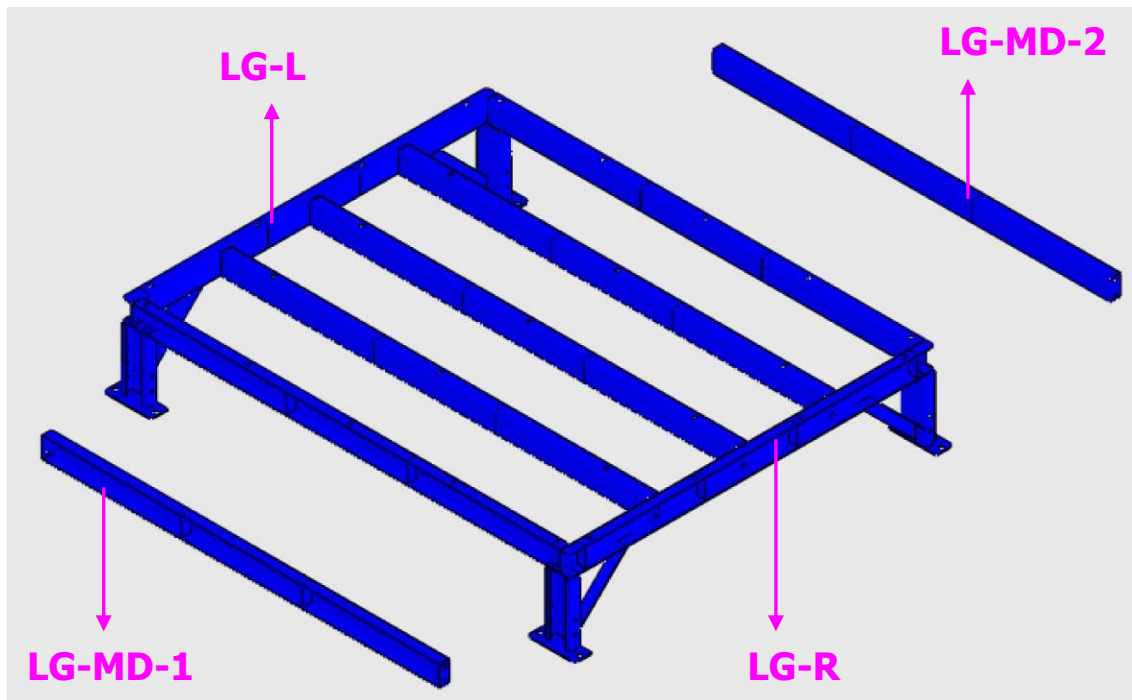
✦ Installations for the unit for SDC-30-16MDF.

- Take out the number: **LG-MD-1** and **LG-MD-2**.
- Fasten **LG-MD-1** and **LG-MD-2** to **LG-L** and **LG-R** with:

Hardware 8				
Part name	Description	Photo	Q'ty	Grainger Model #
Hex Screw	1/2" x 1"		8	1YU61
Flat Washer	1/2" x OD25 x 2T		16	*1JY35
Hex Nut	1/2"		8	2FE67


(* Hardware item at similar spec available locally.

✦ Installations for the unit for SDC-30-16MDF.



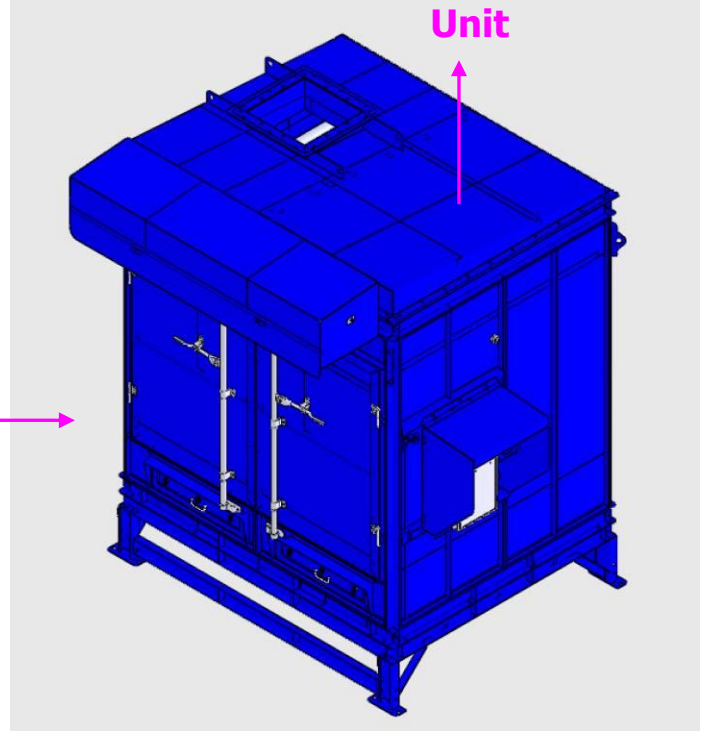
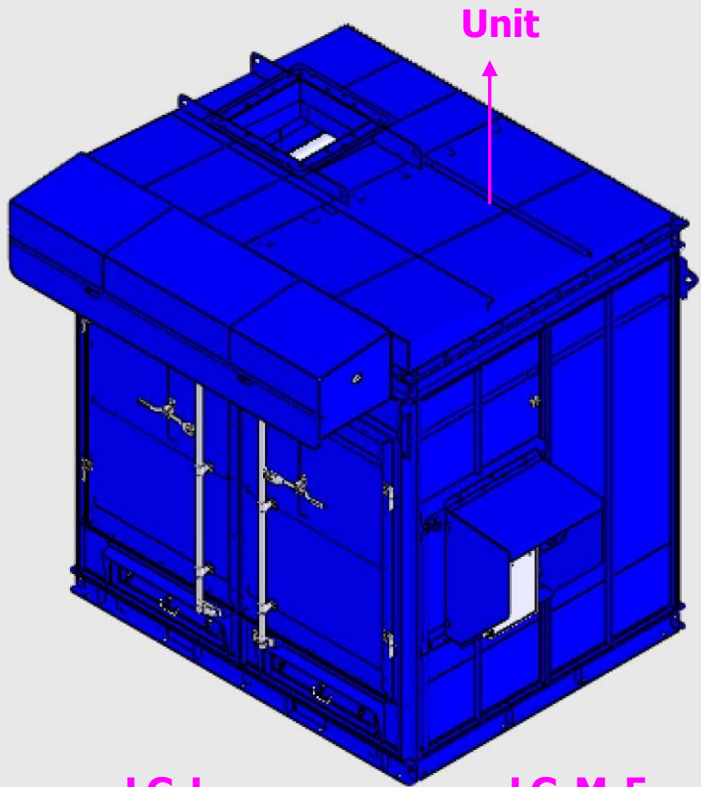
✚ Installations for the unit for SDC-30-16MDF.

- Fasten **unit** to **LG-L**, **LG-M-1~5** and **LG-R** with:

Hardware 9				
Part name	Description	Photo	Q'ty	Grainger Model #
Hex Screw	3/8" x 1"		28	1YU43
Flat Washer	3/8" x OD23 x 2T		56	*1JY33
Hex Nut	3/8"		28	2FE57

(*) Hardware item at similar spec available locally.




✦ Installations for the unit for SDC-30-16MDF.



✚ Installations for the unit for SDC-30-16MDF.

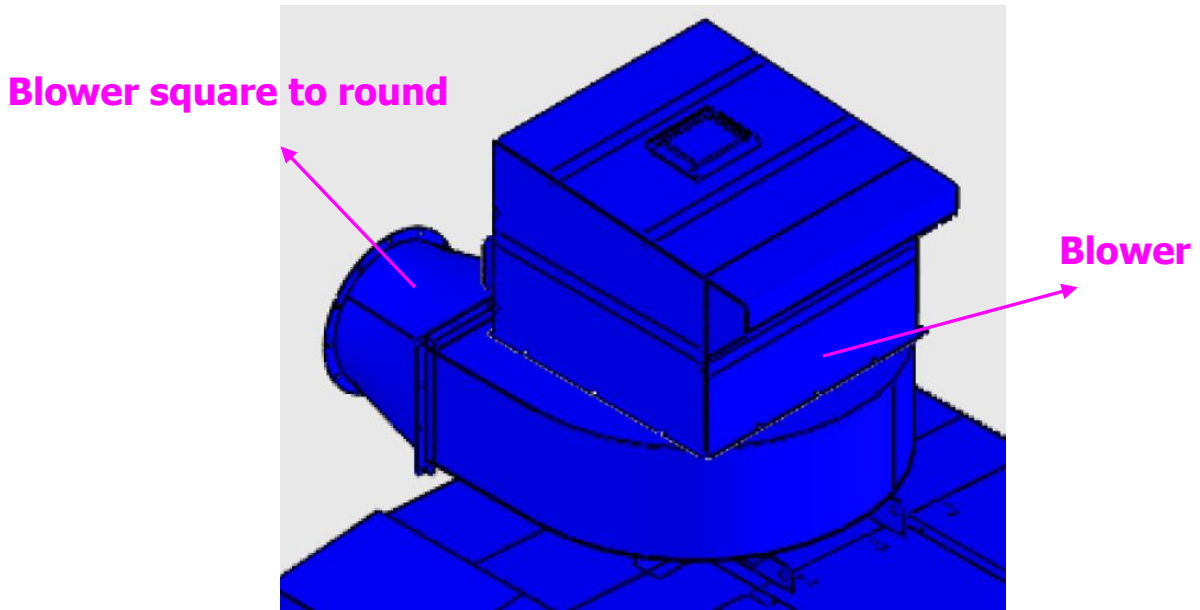
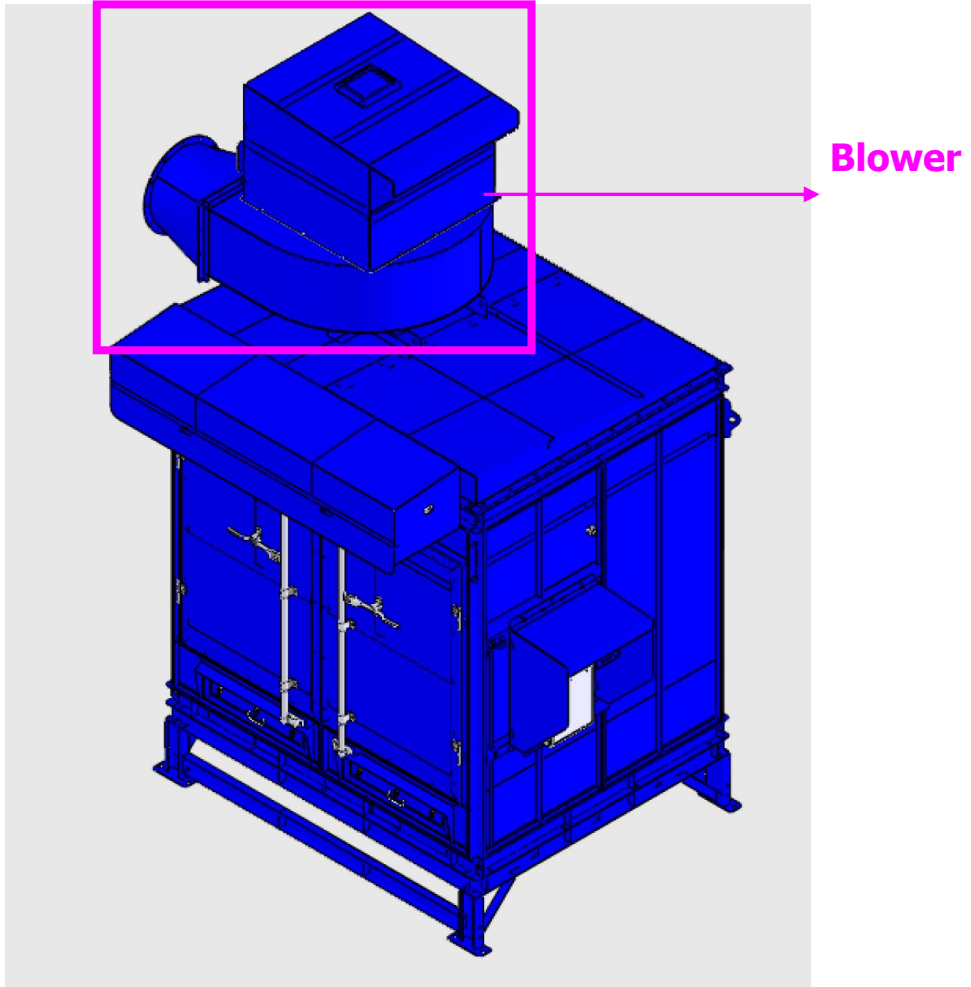
- Assemble **Blower square to round** to the Blower with:
-

Hardware 2

Part name	Description	Photo	Q'ty	Grainger Model #
Hex Screw	3/8" x 1"		14	1YU43
Flat Washer	3/8" x OD23 x 2T		28	*1JY33
Hex Nut	3/8"		14	2FE57





(*) Hardware item at similar spec available locally.

✦ Installations for the unit for SDC-30-16MDF.



✚ Installations for the unit for SDC-30-16MDF.

- Assemble **blower** to the base with:

Hardware 2				
Part name	Description	Photo	Q'ty	Grainger Model #
Hex Screw	1/2" x 1"		12	1YU61
Flat Washer	1/2" x OD25 x 2T		24	*1JY35
Spilt Lock Washer	1/2"		12	6FYC3
Hex Nut	1/2"		12	2FE67

(* Hardware item at similar spec available locally.

✦ Installations for the unit for SDC-30-16MDF.

