



REPRESENTED BY:

TODD AIR SOLUTIONS
101 E FISHER ST, 3rd FLOOR
SALISBURY NC 28144
Phone: 704 630-1101
Fax: 704 630-0528

DRAWING SUBMITTAL

CUSTOMER:

AVANI ENVIRONMENTAL
PO BOX 1279
YOUNGSVILLE, NC 27596

DATE: 4/3/2013

ATTENTION: Mr. Mike Connors
P.O. # 6041
CFV # 1304065
REPRESENTATIVE ORDER # CFQ# 234058

x REFERENCE APPROVAL CORRECTION

Table with 2 columns: DRAWING NO. and DESCRIPTION. Rows include: - - - - SPECIFICATION SHEET, HD1204-SHEET 3 MODEL HDBI-120, 27205 INLET & DISCHARGE FLANGES.

REMARKS: 2D CAD ATTACHED

## SPECIFICATION SHEET

CFV NO. <b>1304065</b>	CUSTOMER ID NUMBER <b>3566220</b>	PAGE <b>1</b>		SCHEDULED SHIP DATE <b>4/23/13</b>
S O L D	AVANI ENVIRONMENTAL PO BOX 1279 YOUNGSVILLE, NC 27596		CUSTOMER P.O. NUMBER <b>6041</b>	BUYER <b>Mr. Mike Connors</b>
			REPRESENTATIVE <b>TODD AIR SOLUTIONS</b>	REP. ORDER NO. <b>CFQ# 234058</b>
T O				

**MARKS**

**6041**

QTY.	DESCRIPTION	MODEL	ROT	DISCH	ARR	WHEEL/PROP	INLET			
<b>2</b>	<b>HEAVY DUTY BI BLOWER</b>	<b>HDBI -120</b>	<b>CCW</b>	<b>UB</b>	<b>4</b>	<b>SQBI 100%</b>				
MOTOR DATA	HP	RPM	PH	CYCLE	VOLTAGE	FRAME	ENCLOSURE	SUPPLIED BY	INSTALLED BY	
	<b>5</b>	<b>3500</b>	<b>3</b>	<b>60</b>	<b>230/460V</b>	<b>184T</b>	<b>TEFC</b>	<b>CFV</b>	<b>CFV</b>	
	CFV MOTOR PART NUMBER <b>379966B</b>						GROOVES	FXD/ADJ	BELT	
FAN DATA	DENSITY	TEMP.	ALTITUDE	CFM	SP	RPM	BHP	MOTOR SHEAVE		BUSHING
AT OPERATING CONDITIONS	<b>.075</b>	<b>70 °F.</b>		<b>2400</b>	<b>8.000</b>	<b>3500</b>	<b>4.190</b>			
MOTOR VENDOR MODEL NUMBER	<b>EM3613T</b>						FAN SHEAVE	BUSHING		

Record Print, 2D CAD Drawings

**Complete Motor Description:**

MTR, 5 HP, 3450 RPM, 3PH, 60Hz, 230/460V, TEFC, Prem Eff, FM, 184T, 1.15 SF, F Insul., 40°C Amb., F1 Box, Steel frame, FLA: 11.8/5.9, Baldor

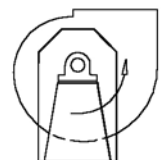
Maximum allowable wheel speed at 70°F is 4065 RPM

Estimated Shipping Weight: 235 pounds

**CLASS II WHEEL CONSTRUCTION**

- FABRICATED SLIDE GATE DAMPER ON DISCHARGE
- DRI LL DISCHARGE FLANGE STANDARD
- DRI LL INLET FLANGE STANDARD BOLT CIRCLE ON-CENTERS
- QUI CK OPEN INSPECTION DOOR AT 9 O' CLOCK
- DRAIN
- TEFLON SHAFT SEAL
- FANS TO BE PAINTED AVANI BLUE

Submittal Email: [cbendi.ksby@avanienvironmental.com](mailto:cbendi.ksby@avanienvironmental.com)

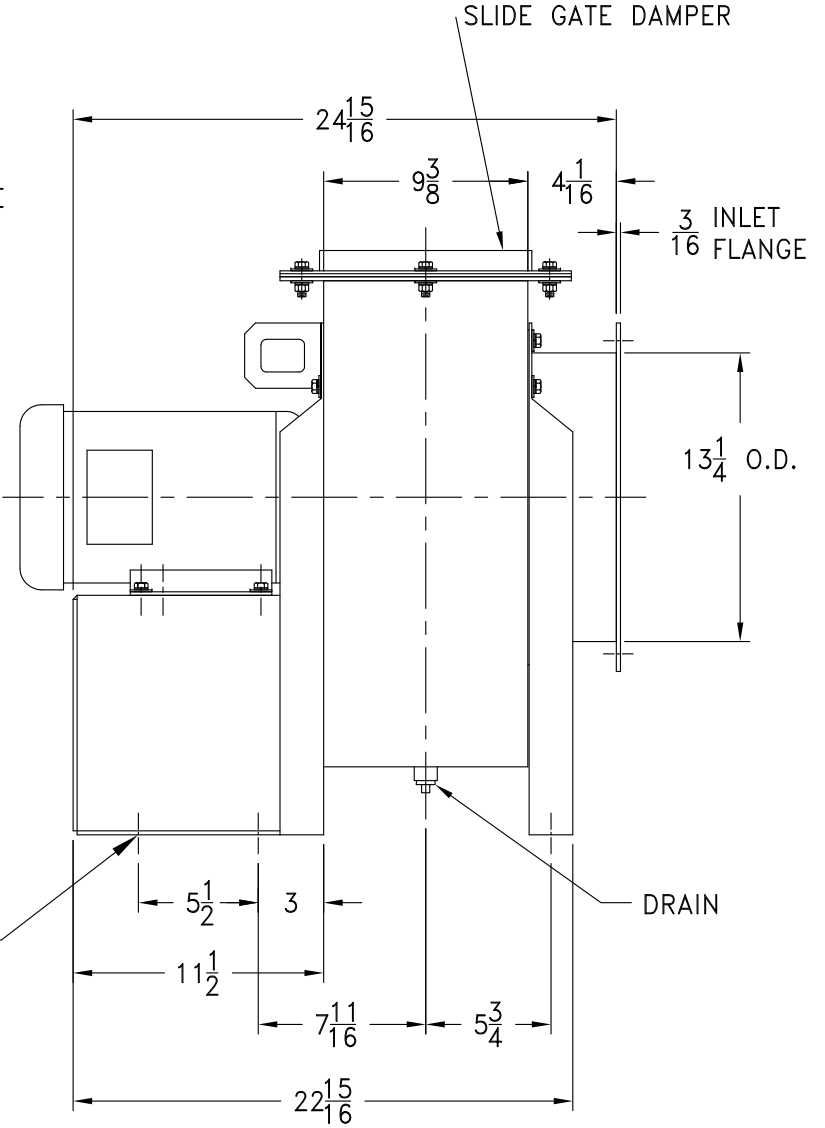
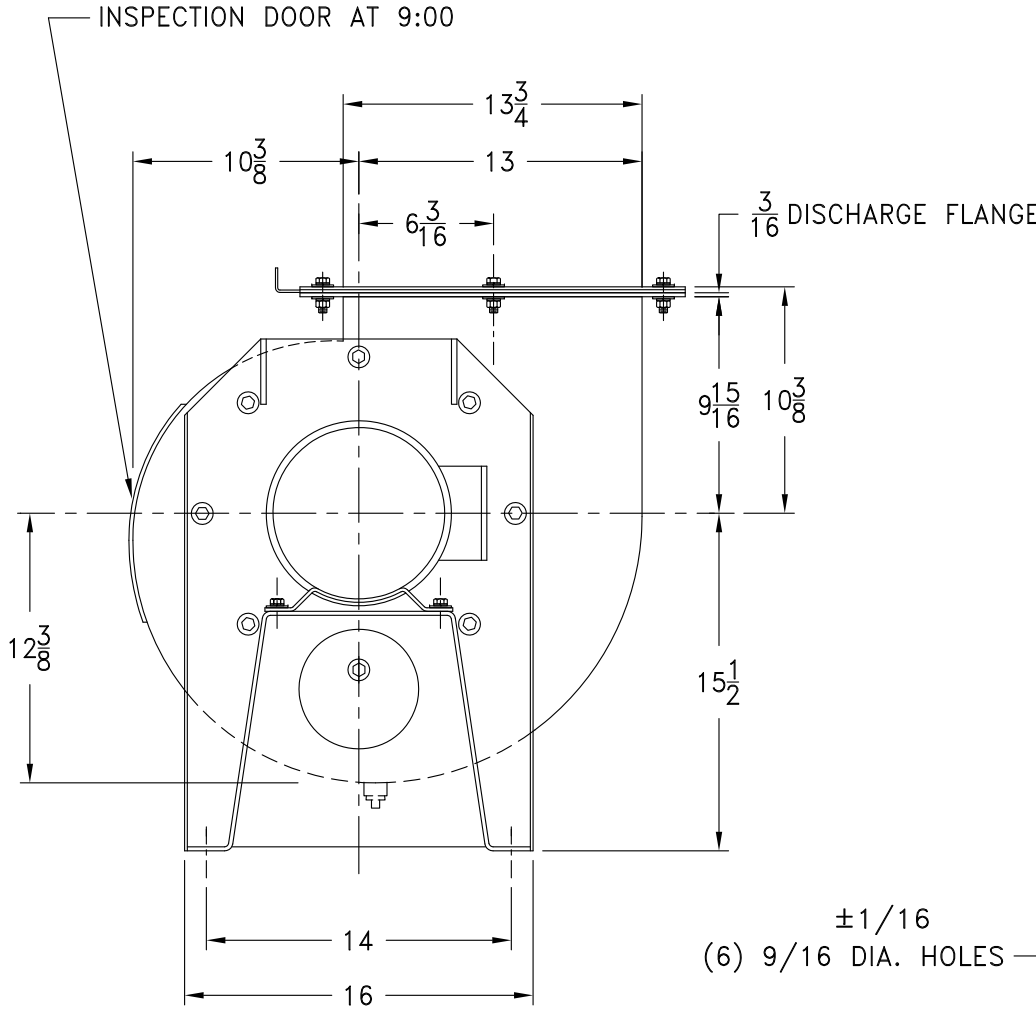


**DR. BY** \_\_\_\_\_ **DCF**

**DATE:** 4/3/2013

**CERTIFIED**

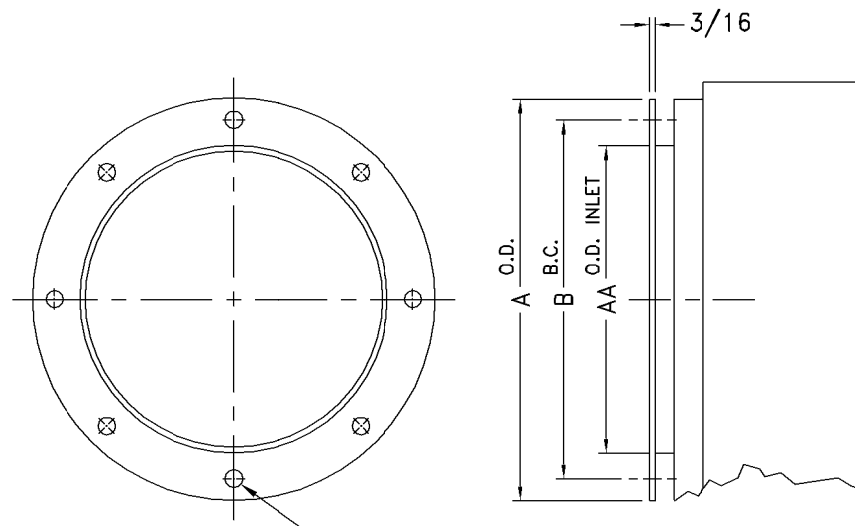
CCW UB



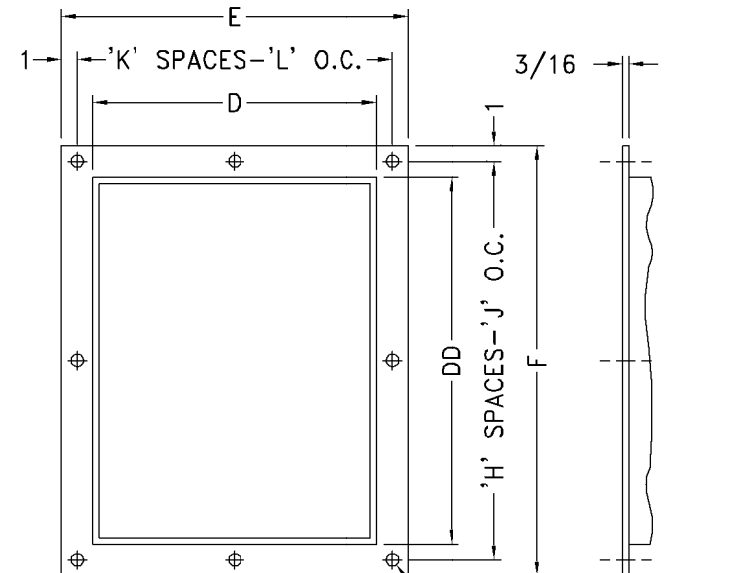
±1/16  
(6) 9/16 DIA. HOLES

- NOTES:  
 1. 182T-184T FRAME MOTOR SHOWN.  
 2. SEE DWG A27205 FOR INLET & DISCHARGE FLANGES.

				SUPERSEDES:		TOLERANCES: FRACTIONS ± 1/8 ANGLES: ± 1° DECIMALS: X.XXX = ±0.005 X.XX = ±0.060 X.X = ±0.120 ALL DIMENSIONS IN INCHES UNLESS OTHERWISE SPECIFIED		SCALE: FULL IN CAD DATE: 9/29/03		<b>cincinnati fan</b> 7697 SNIDER ROAD MASON, OHIO 45040			
				SIMILAR TO:				DR. BY: DF		TITLE HDBI/HDAF-120 ARR. 4 (CCW UB)			
								CHK. BY:					
NO.	DESCRIPTION	DATE	INITIALS	MATERIAL:				ASSEMBLY		<b>A</b>	DRAWING NO.	SHEET	REV.
REVISIONS											HD1204	3 of 2	2



INLET FLANGE  
"N" HOLES, "P" DIA.



DISCHARGE FLANGE ①  
"M" 7/16 DIA. HOLES

SIZE	INLET					DISCHARGE								
	A O.D.	B B.C.	N	AA DIA.	P	D	E	F	H	J	K	L	M	DD
120	16	14-3/8	8	13-1/4	7/16	9-3/8	13-3/8	17-11/16	2	7-27/32	2	5-11/16	8	13-3/4
130	17-3/4	15-15/16	8	14-5/8	7/16	10-3/8	14-3/8	19-3/16	2	8-19/32	2	6-3/16	8	15-1/4
150	19-1/4	17-1/2	8	16-1/8	7/16	11-3/8	15-3/8	20-3/4	3	6-1/4	2	6-11/16	10	16-13/16
160	21-1/8	19-3/8	8	18	7/16	12-1/2	16-1/2	22-7/16	3	6-13/16	2	7-1/4	10	18-7/16
180	23-1/2	21-1/2	12	20	7/16	13-7/8	17-7/8	24-1/2	3	7-1/2	2	7-15/16	10	20-3/8
200	25-1/2	23-1/2	12	22	7/16	15-1/4	19-1/4	26-3/8	3	8-1/8	3	5-3/4	12	22-3/8
220	28-1/8	26-1/8	12	24-5/8	7/16	16-7/8	20-15/16	28-7/8	4	6-23/32	3	6-5/16	14	24-7/8
240	30-3/4	28-3/4	16	27	7/16	18-9/16	22-5/8	31-3/8	4	7-11/32	3	6-7/8	14	27-3/8
270	33-3/4	31-5/8	16	30	7/16	20-7/16	24-1/2	34-1/8	4	8-1/32	3	7-1/2	14	30-1/16
300	37-1/4	35-1/4	16	33-1/2	7/16	22-3/4	26-3/4	37-5/8	5	7-1/8	3	8-1/4	16	33-9/16
330	40-3/8	38-3/4	16	36-3/4	1/2	24-7/8	28-7/8	40-7/8	7	5-9/16	5	5-3/8	24	36-3/4
360	43-5/8	42	16	40	1/2	27-1/4	31-1/4	44-1/4	7	6-1/32	5	5-27/32	24	40-1/4

NOTE:  
① NOT AVAILABLE ON ANY MODEL FOR DOWNBLAST, BOTTOM ANGULAR DOWN OR TOP ANGULAR DOWN DISCHARGE POSITIONS.  
DISCHARGE FLANGE IS STANDARD ON SIZES -270 THRU -360.