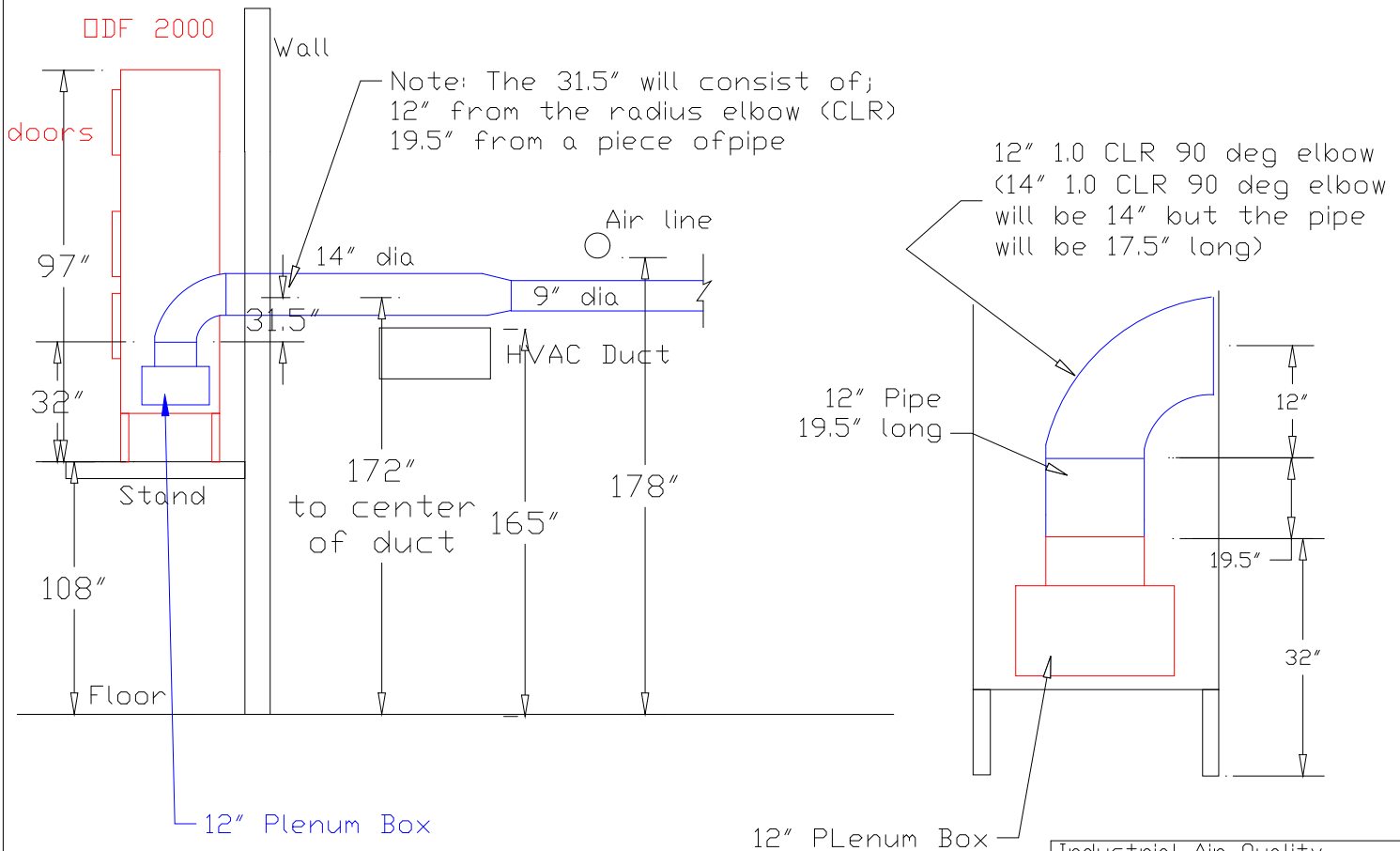


Elevation detail for ODF 2000 units



Industrial Air Quality	IAQ
102 AG DRIVE Youngsville, NC 27596	
P# 919-562-7181 F# 919-562-7182	
Project: GAMPCO	
Drawing: Elevation ODF 2000	
Date: 12/18/08	Drawn by: RAV
Sheet No:	