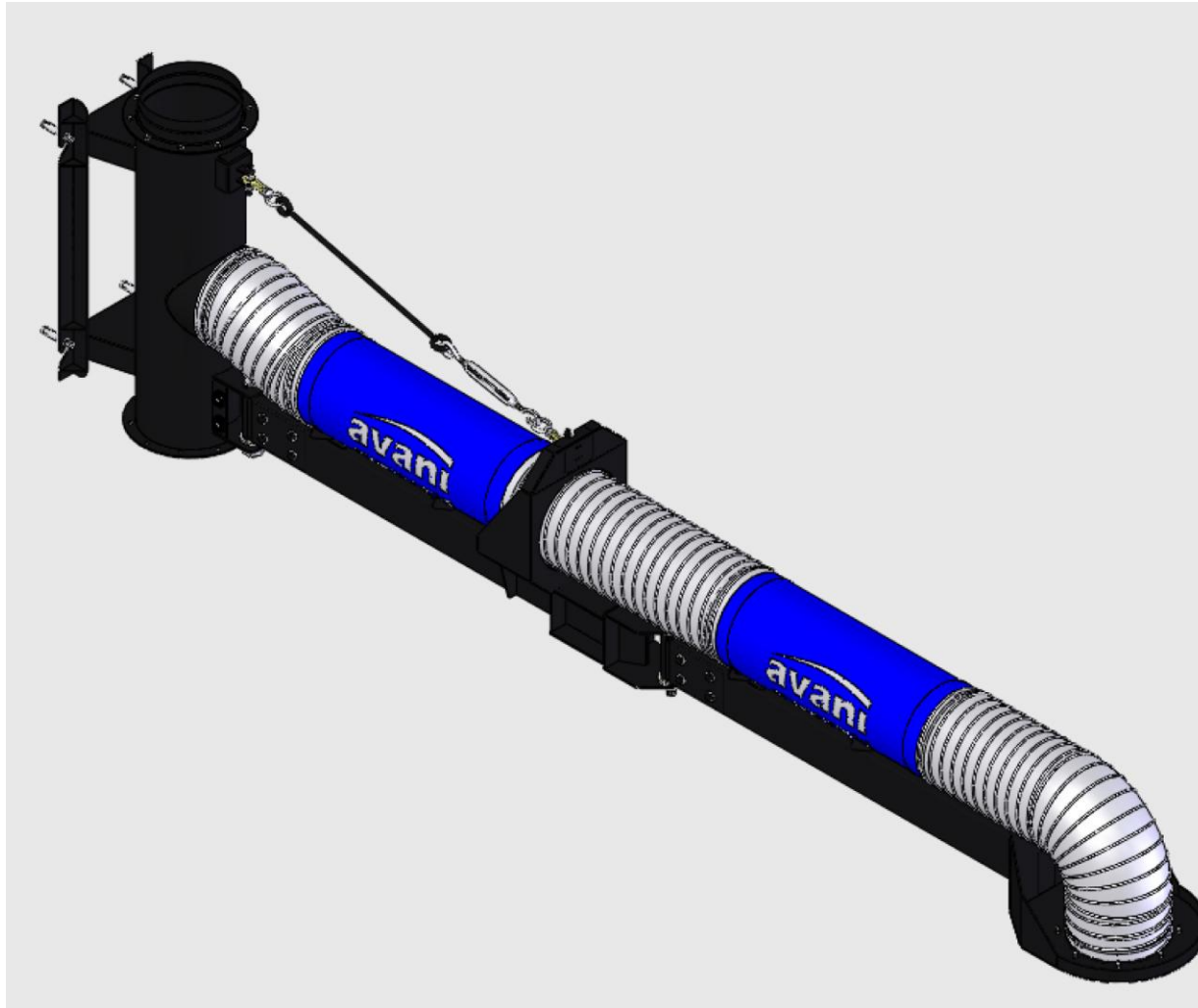
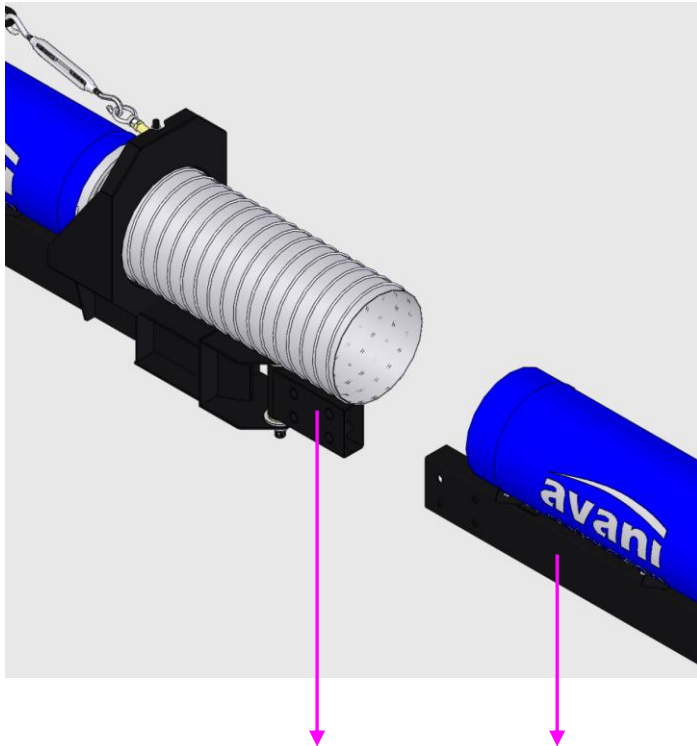


✚ Installations for BM-2-1200505.



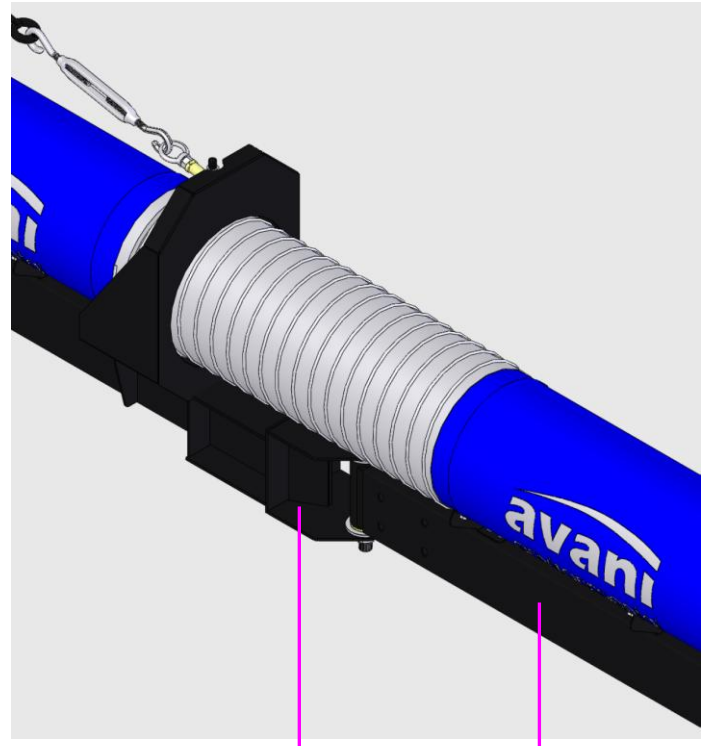
✚ Installations for BM-2-1200505.

- First loosen (4) Hex Screw (Partially Threaded), (8) Flat Washers and (4) Hex Nut located on Boom.
- Put Extended Rotation Set into Boom Rotation Base.
- Fasten hose to the pipe.



**Boom
Rotation Base**

**Extended
Rotation Set**

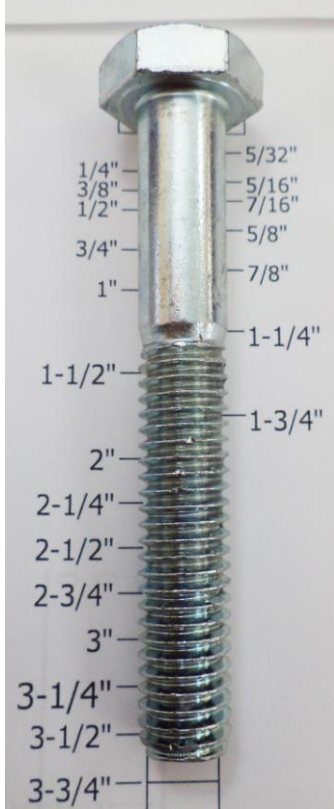




**Boom
Rotation Base**

**Extended
Rotation Set**

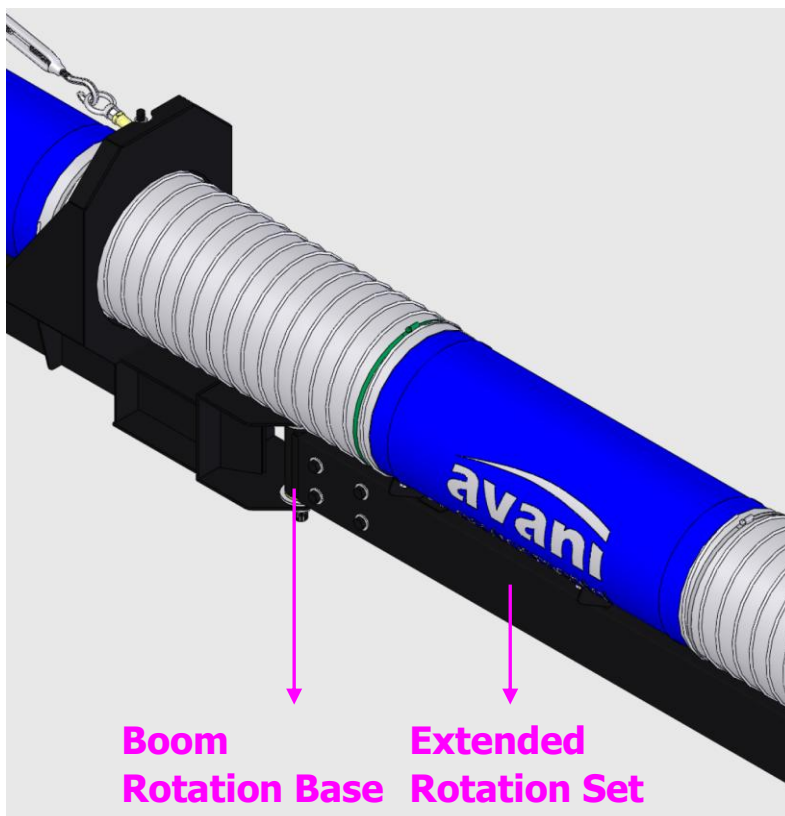
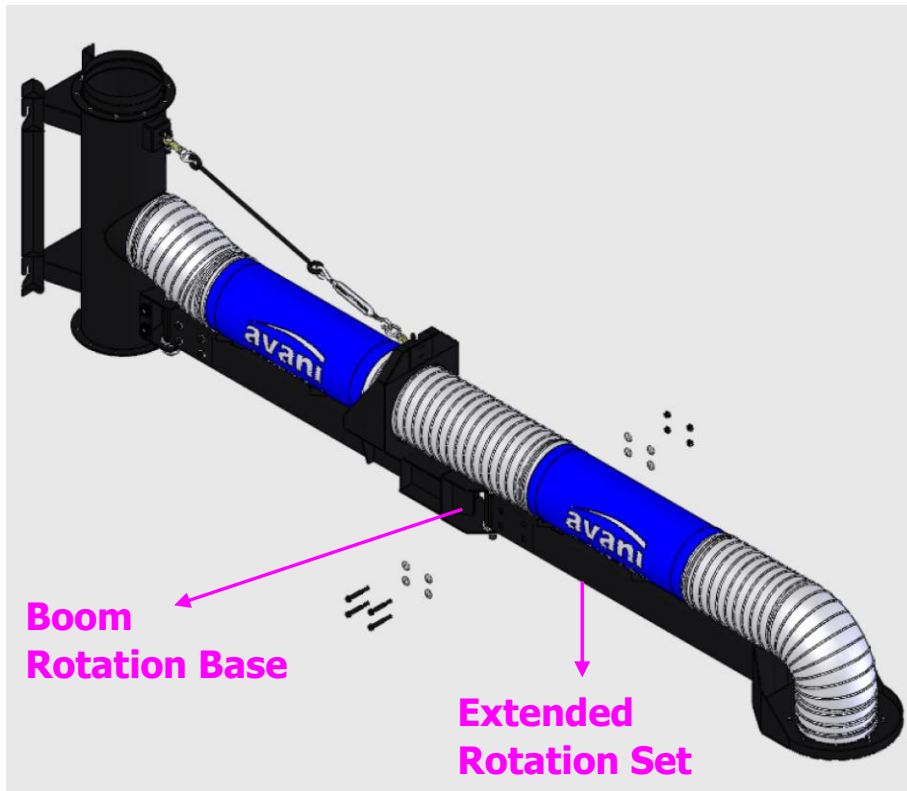
✚ Installations for BM-2-1200505.

- Fasten Extended Rotation Set to Boom Rotation Base with:

Part name	Description	Photos	Q'ty	Grainger Model #
Hex Screw (Partially Threaded)	1/2" x 3-1/2"		4	1KB28
Flat Washer	1/2" x OD34 x 3T		8	*1JY35
Hex Nut	1/2"		4	2FE67

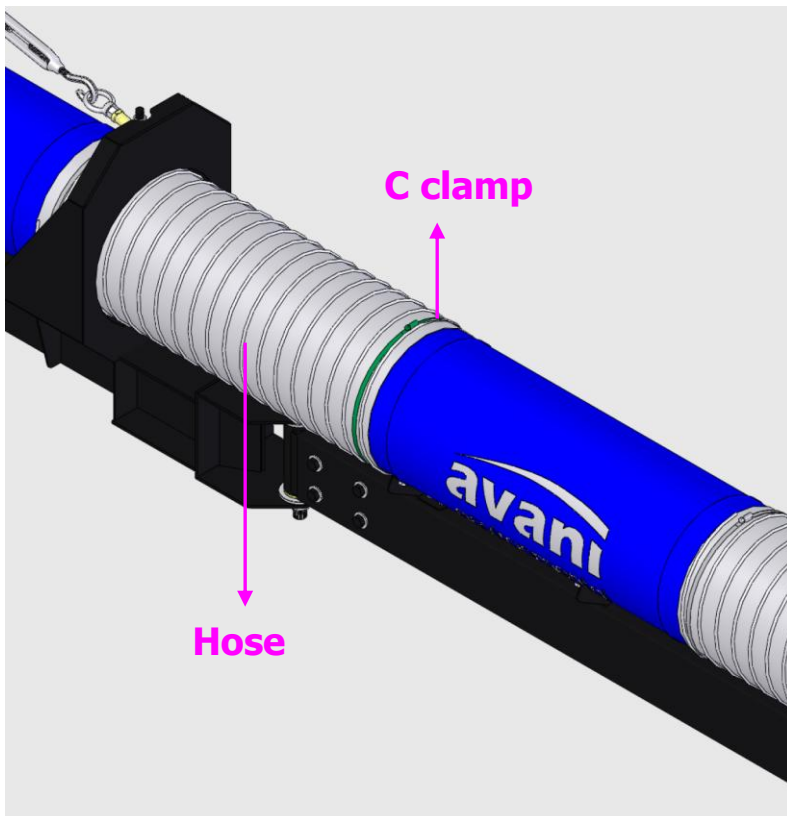
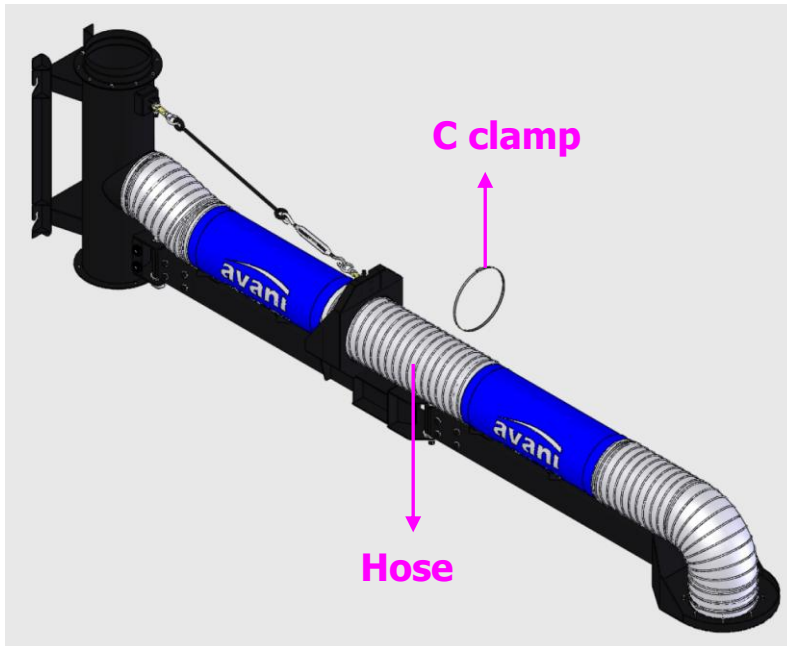
(* Hardware item at similar spec available locally.

✚ Installations for BM-2-1200505.



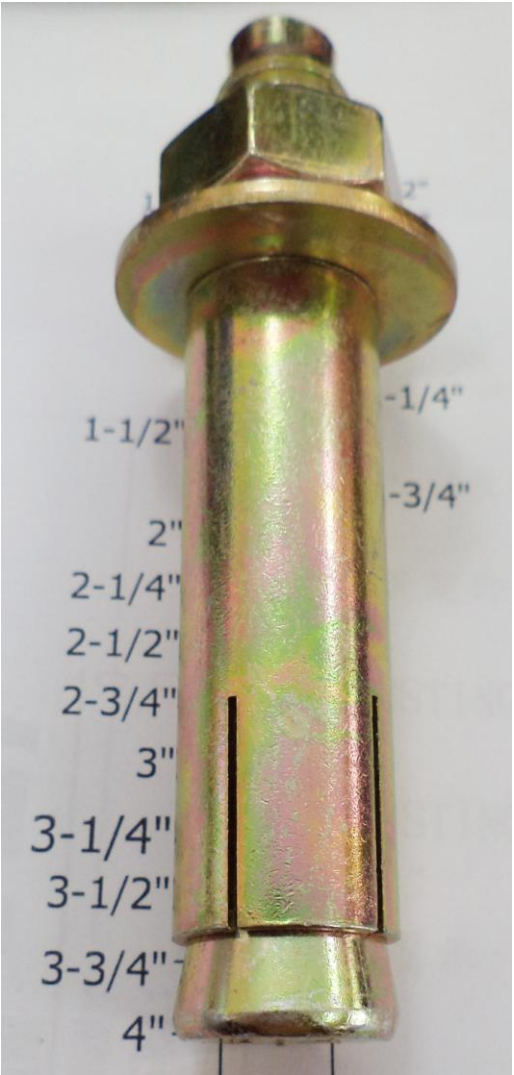
✚ Installations for BM-2-1200505.

- Fasten the c clamp to hose.



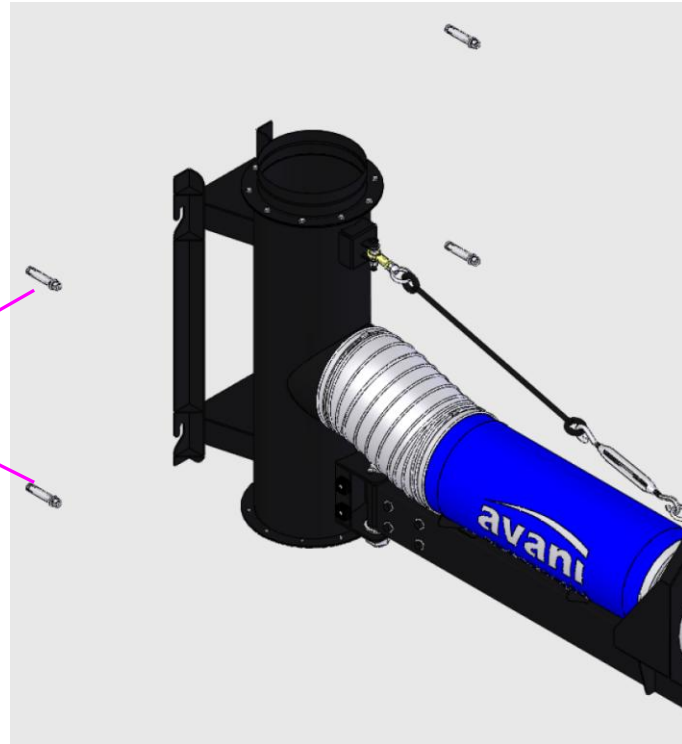
✚ Installations for BM-2-1200505.

- Fasten **Sleeve Anchor** for Steel Frame to field plate if needed. Assembly completed.

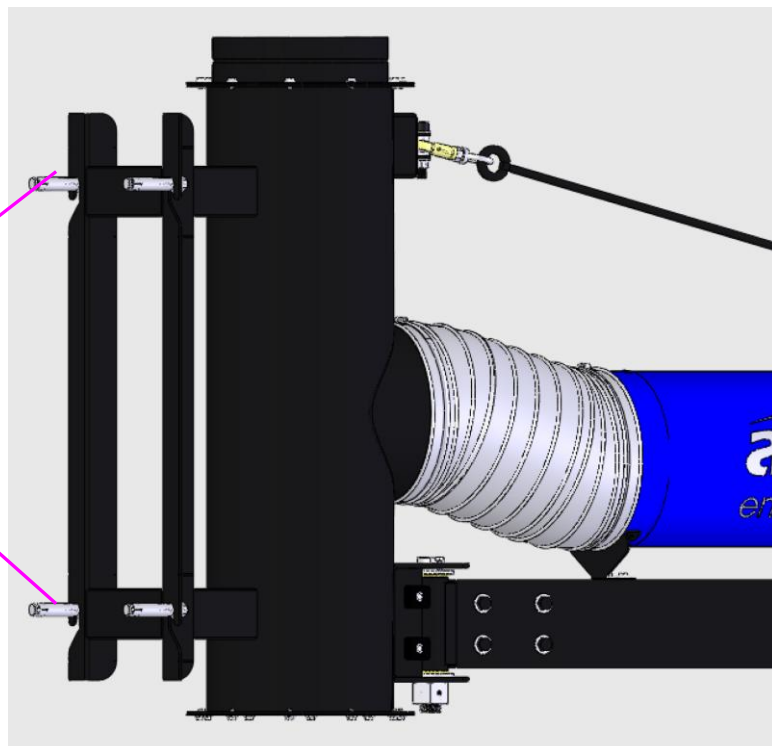
Part name	Description	Photos	Q'ty	Grainger Model #
Sleeve Anchor	3/4" x 4"		4	2G524

✚ Installations for BM-2-1200505.

One option to fasten Boom



Sleeve Anchor



Sleeve Anchor

✚ Installations for BM-2-1200505.

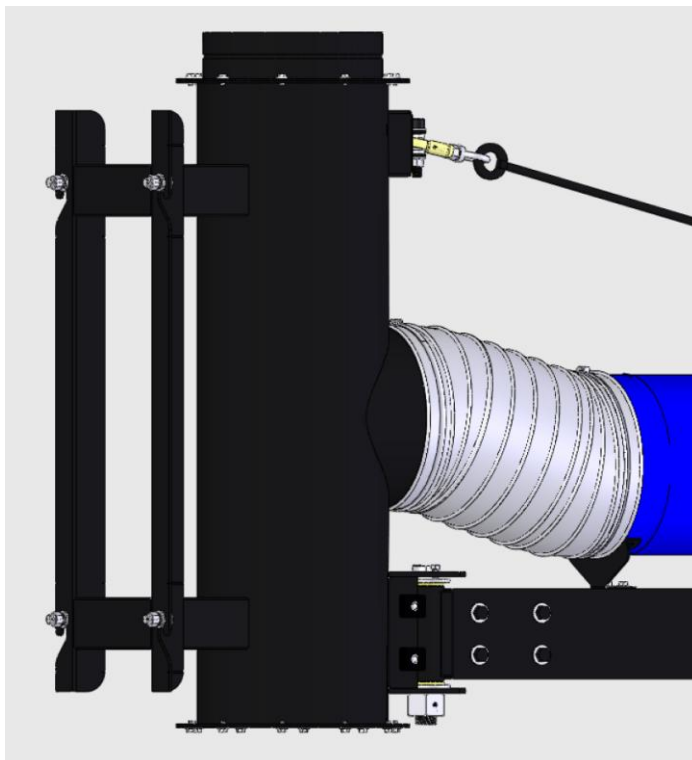
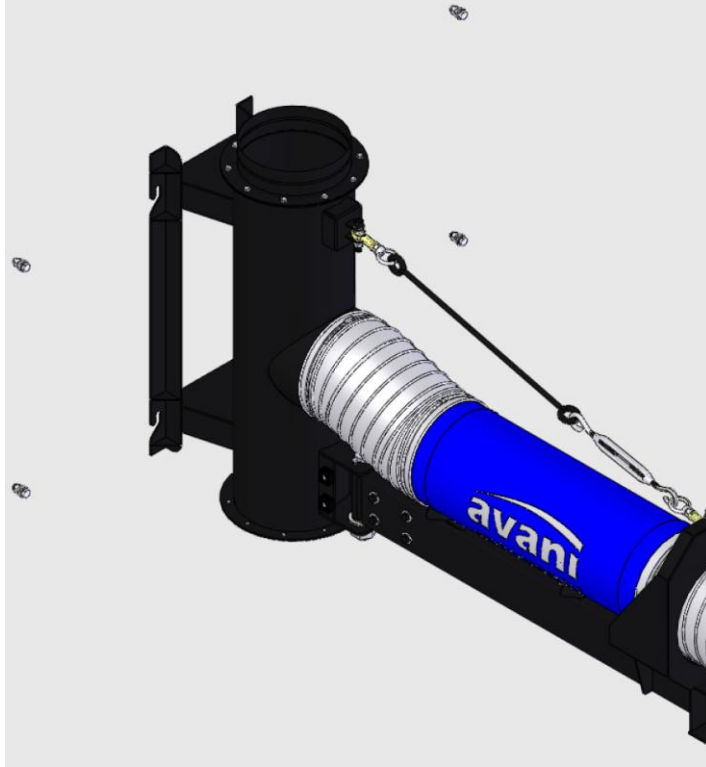
- Fasten Steel Frame to field plate if needed with:

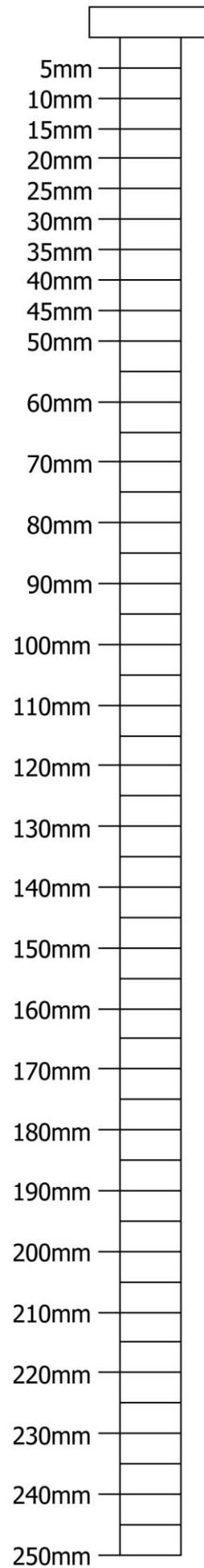
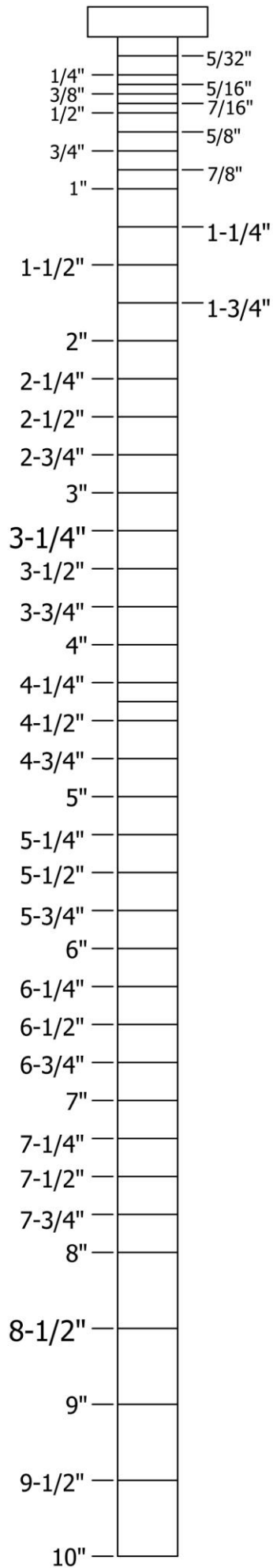
Part name	Description	Photos	Q'ty	Grainger Model #
Hex Screw (fully threaded)	5/8" x 2"		4	2CE87
Split Lock Washer	5/8"		4	6FYC5
Flat Washer	5/8" x OD38 x 3T		8	*1JY37
Hex Nut	5/8"		4	2FE77

(* Hardware item at similar spec available locally.

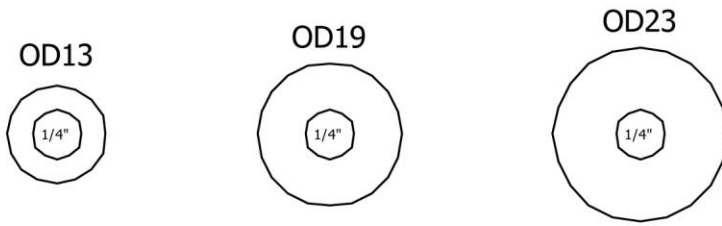
✚ Installations for BM-2-1200505.

Another option to fasten Boom

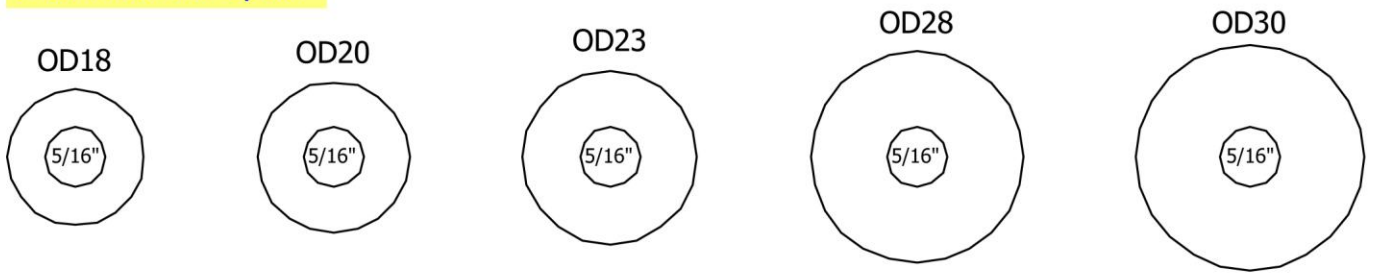




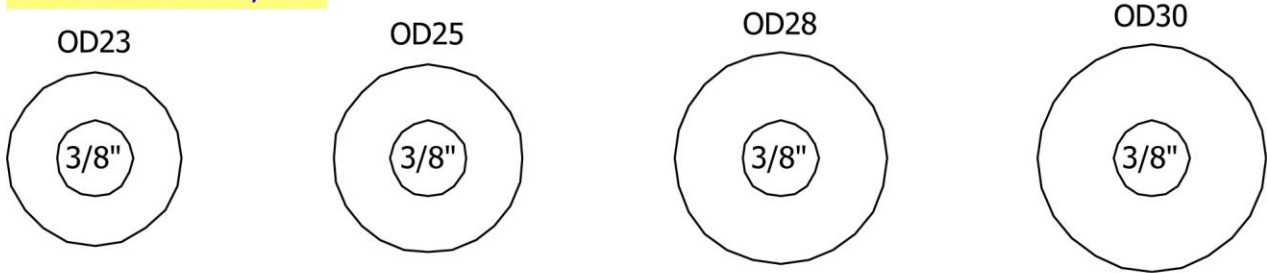
Flat Washer: 1/4"



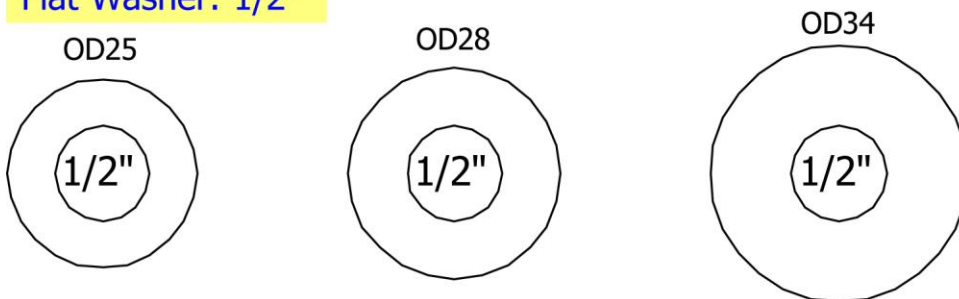
Flat Washer: 5/16"



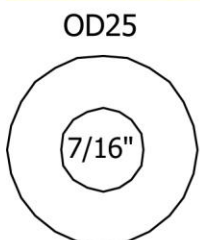
Flat Washer: 3/8"



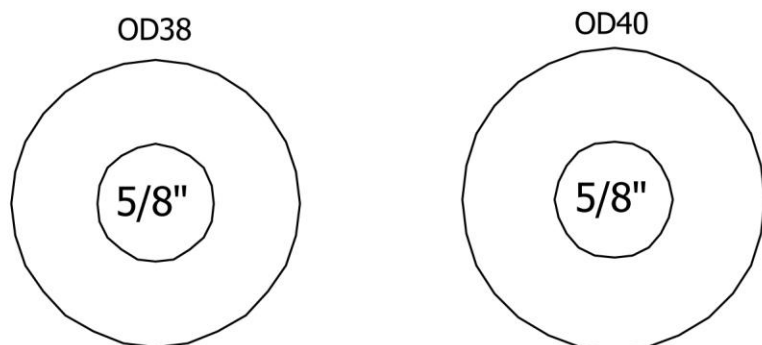
Flat Washer: 1/2"



Flat Washer: 7/16"



Flat Washer: 5/8"



HEX NUT

3/16"



HEX NUT

1/4"



HEX NUT

5/16"



HEX NUT

3/8"



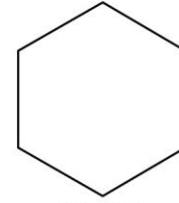
HEX NUT

1/2"



HEX NUT

5/8"



HEX NUT

NYLON HEX NUT

1/4"



NYLON HEX NUT

5/16"



NYLON HEX NUT

3/8"



NYLON HEX NUT

1/2"



NYLON HEX NUT

5/8"



NYLON HEX NUT

ACORN NUT

1/4"



ACORN NUT

5/16"



ACORN NUT

3/8"



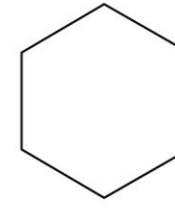
ACORN NUT

1/2"



ACORN NUT

5/8"



ACORN NUT

WING NUT

1/4"



WING NUT

5/16"



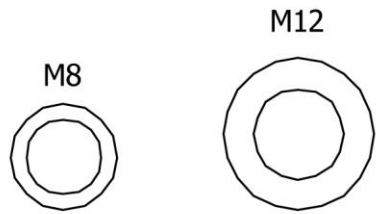
WING NUT

3/8"



WING NUT

Rubber Washer



Split Lock Washer

