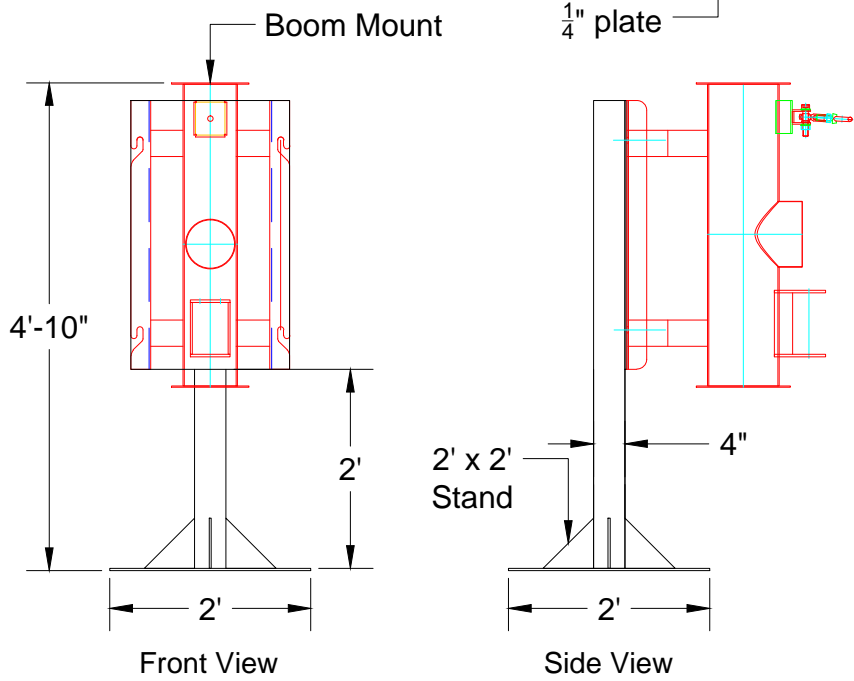
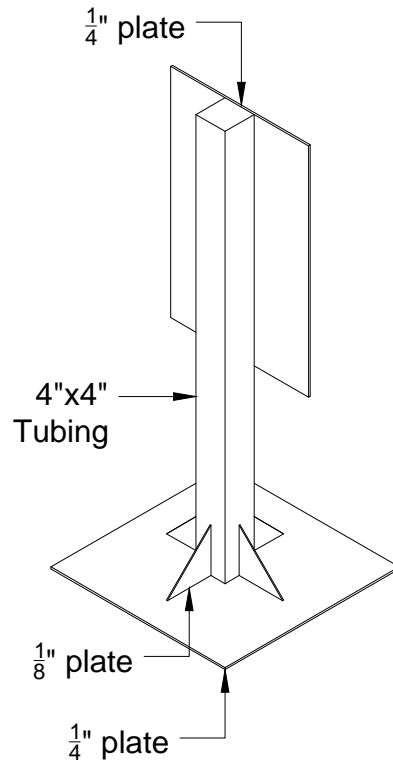


# Freeport McMoran Boom Stand



Drawing Number 22087.6

Avani Environmental Intl. Inc.  
95 Cypress Drive  
Youngsville, NC 27596  
P# 919-488-2862 F# 919-488-2863

**Avani**

Project: Freeport McMoran

Drawing: Duct Stand

Date: 9/5/14

Drawn by: MDT

Sheet No: 1 OF 1

Rev: 0