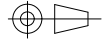


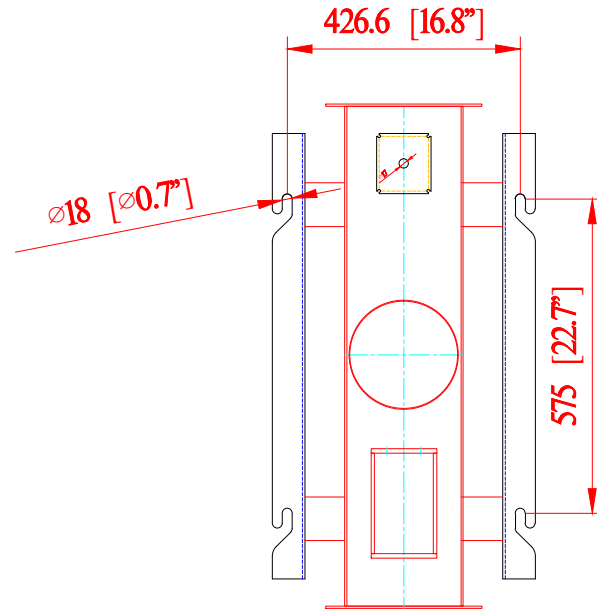
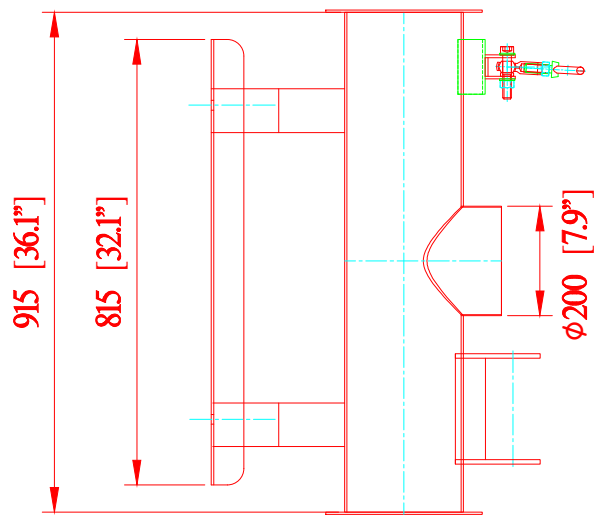
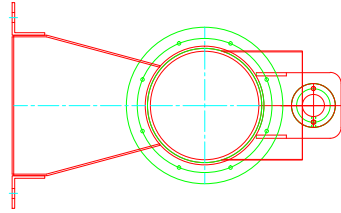
DO NOT SCALE

IF IN DOUBT ASK



Revisions

Rev	Description	Date	Approved
-----	-------------	------	----------



Drawing Number 22087.7

AVANI ENVIRONMENTAL INTL. INC. Sales Department

95 Cypress Drive

Youngsville, NC 27596

(919) 570-2862

info@avanienvironmental.com

	Date	Name
Drawn by:	2009-08-28	***
Checked by:		

Part Number:
8" boom

Title:
Boom Base

The drawings, AutoCAD, 3-D Models, and specifications are the property of Avani Environmental Intl. Inc. (AE) and may not be reproduced, distributed, modified, or otherwise used, except provided herein, without the express written permission of AE.

Size
A

Scale
1 = 2

Drawing Number:
AJP-A2-01