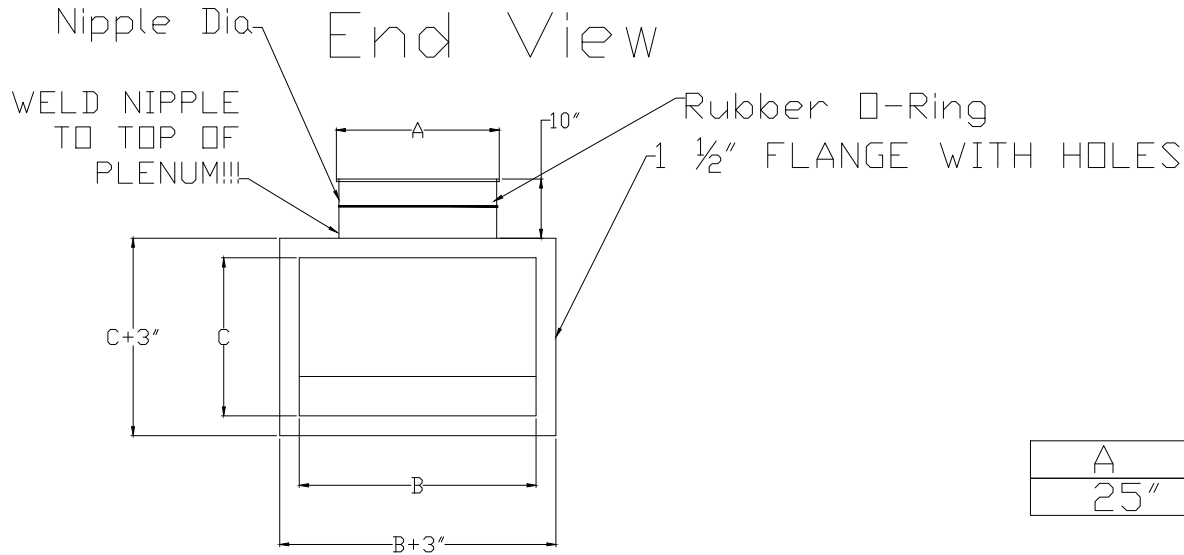


Plenum Box

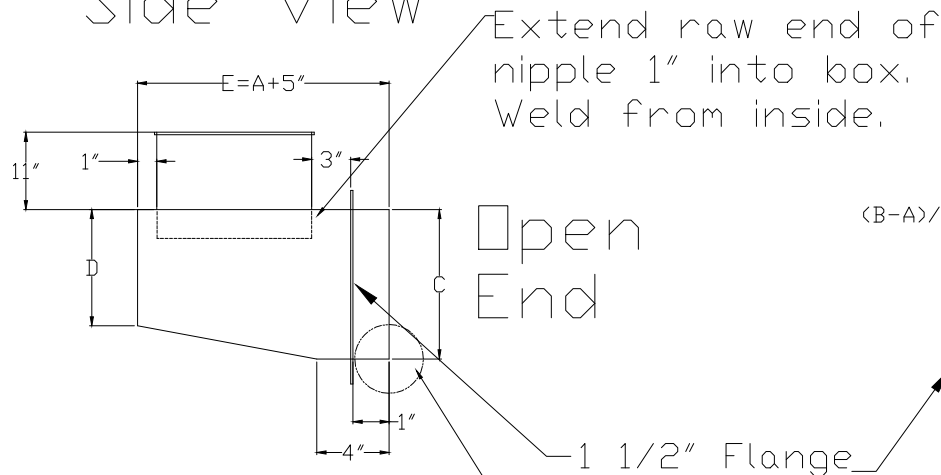
NOTES:

- A) MATERIAL: 18 GA. GALV.
- B) ALL SEAMS WELDED
- C) Use standard bolt hole pattern with 7/16" Holes
- D) For QF Collar, make it the diameter of a nipple

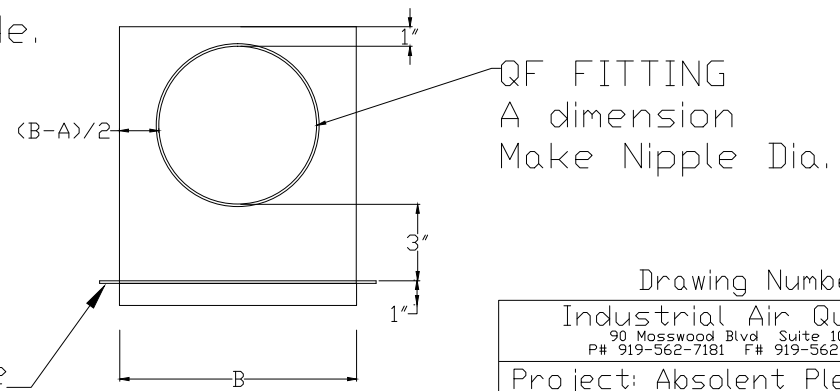


A	B	C	D	E
25"	31"	14"	10"	30"

Side View



Top View



NOTE: WELD ALL CORNERS ON BOTTOM INSIDE THE PLENUM!!!!

Drawing Number 22087.4

Industrial Air Quality

90 Mosswood Blvd Suite 100
P# 919-562-7181 F# 919-562-7182

Project: Absolent Plenum Box

Date: 10/10/03

Revision: 3/22/05 RAV

Sheet: 1 OF 1 | Drawn by: RAV