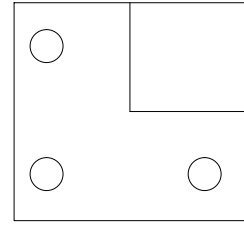
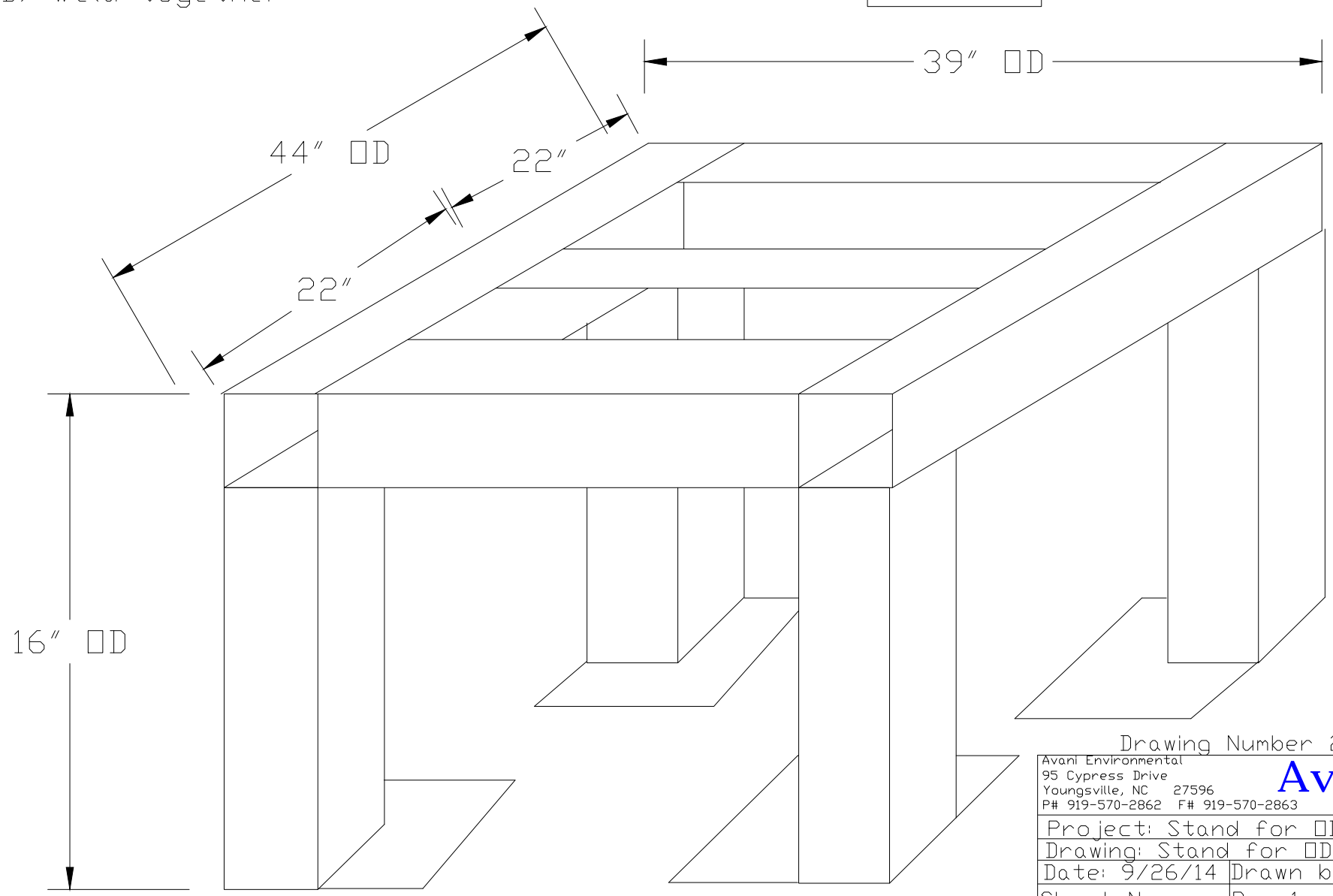


# Stand for ODR 3000

- A) Use 3" square tubing, 1/4" tick wall
- B) Weld together



Plan View  
 1/4" Thick plate  
 Holes are 1/2" dia  
 Plate 6" square



Drawing Number 22087.3

Avani Environmental 95 Cypress Drive Youngsville, NC 27596 P# 919-570-2862 F# 919-570-2863		<b>Avani</b>
Project: Stand for ODR 3000		
Drawing: Stand for ODR 3000		
Date: 9/26/14		Drawn by: MDT
Sheet No:	Rev 1	