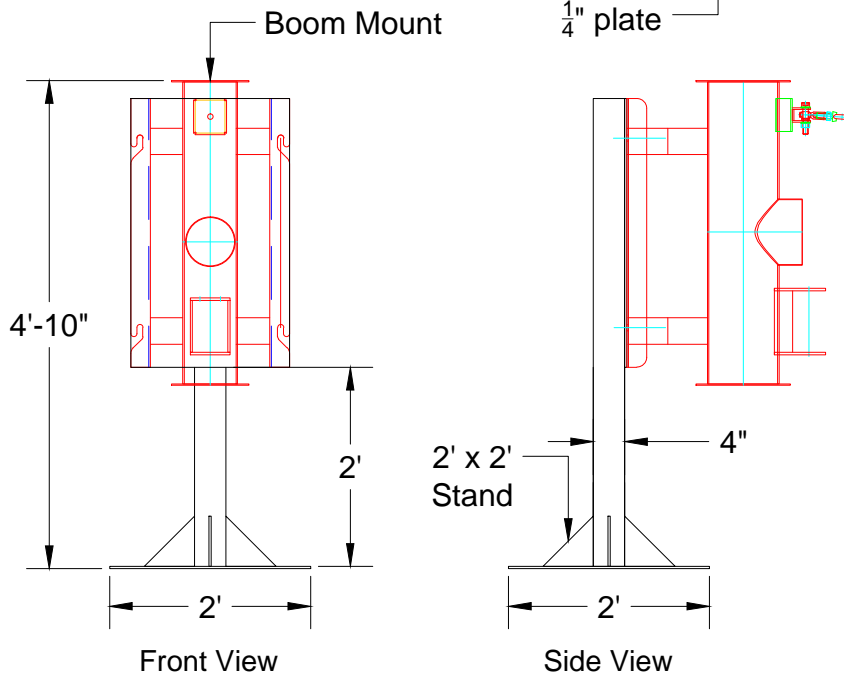
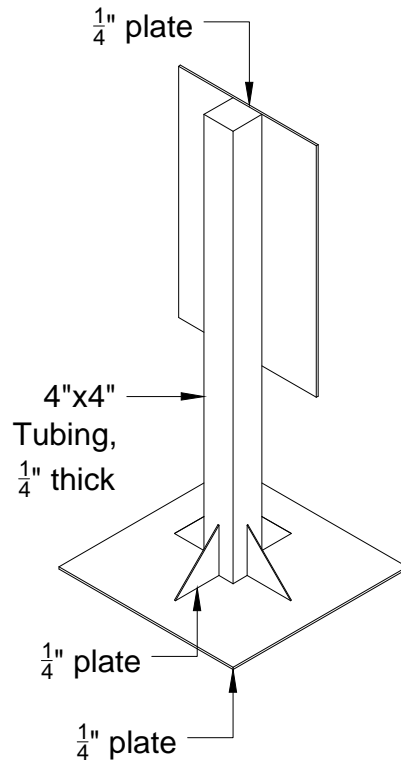


# Freeport McMoran Boom Stand

Note: Fasten to mill top via  
welding in field



Avani Environmental Intl. Inc.  
95 Cypress Drive  
Youngsville, NC 27596  
P# 919-488-2862 F# 919-488-2863

# Avani

Project: Freeport McMoran

Drawing: Duct Stand

Date: 9/26/14

Drawn by: MDT

Sheet No: 1 OF 1

Rev: 1