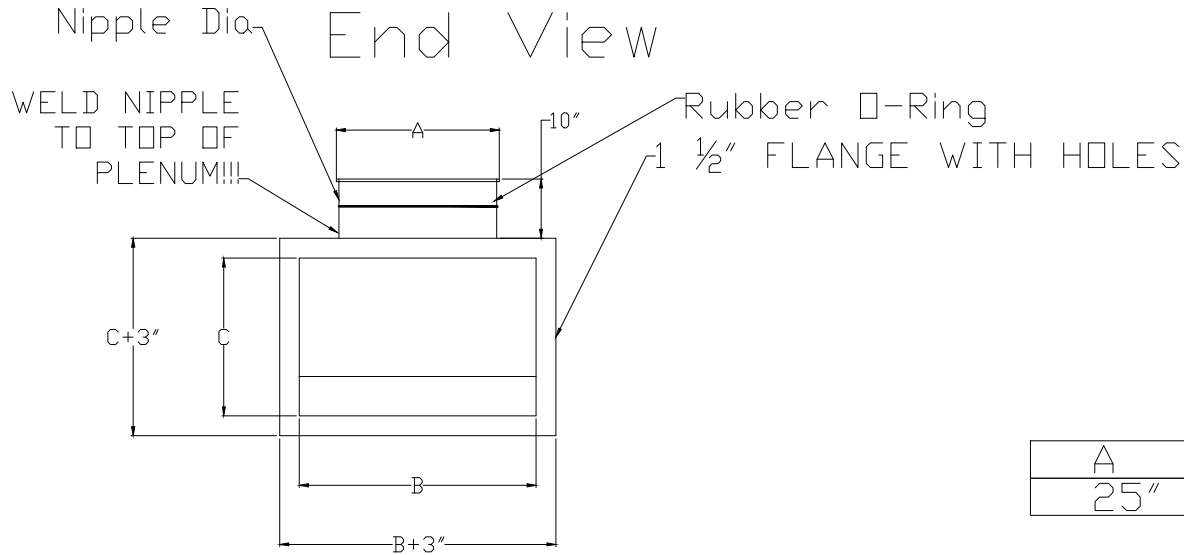


# Plenum Box

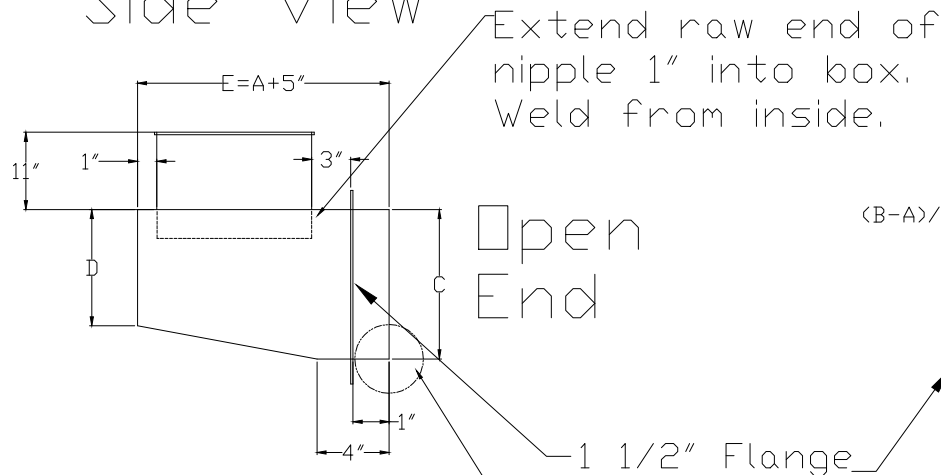
## NOTES:

- A) MATERIAL: 18 GA. GALV.
- B) ALL SEAMS WELDED
- C) Use standard bolt hole pattern with 7/16" Holes
- D) For QF Collar, make it the diameter of a nipple

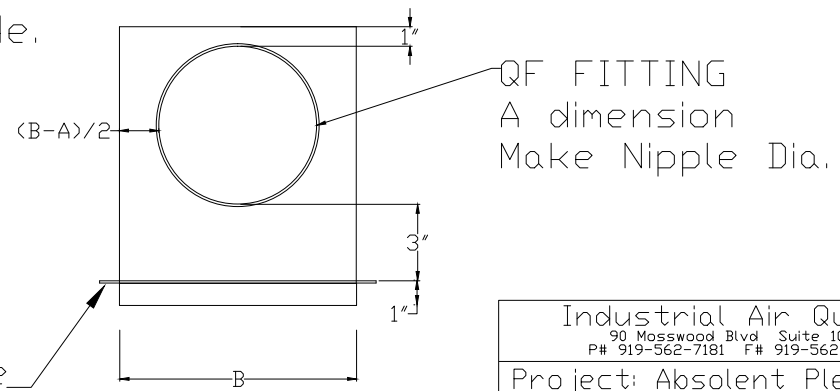


A	B	C	D	E
25"	31"	14"	10"	30"

## Side View



## Top View



NOTE: WELD ALL CORNERS ON BOTTOM INSIDE THE PLENUM!!!!

Industrial Air Quality	
90 Mosswood Blvd Suite 100	
P# 919-562-7181 F# 919-562-7182	
Project: Absolent Plenum Box	
Date: 10/10/03	
Revision: 3/22/05 RAV	
Sheet: 1 OF 1	Drawn by: RAV