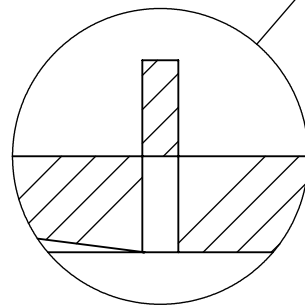
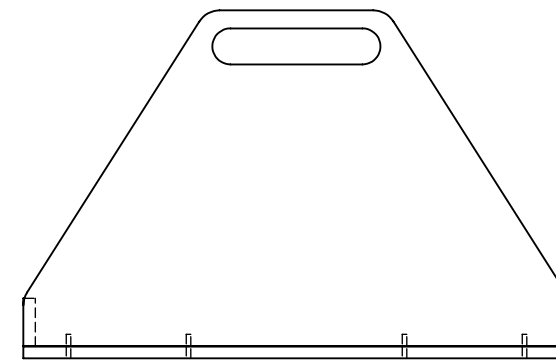
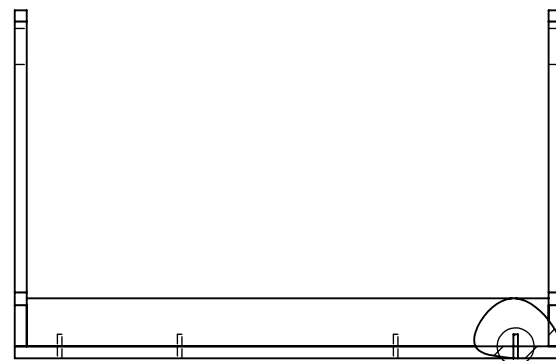
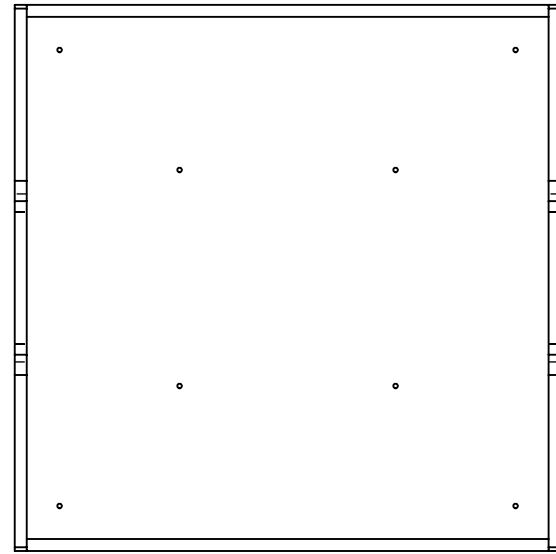


8 7 6 5 4 3 2 1

D  
C  
B  
A

D  
C  
B




DETAIL A  
SCALE 1 : 1

**PROPRIETARY AND CONFIDENTIAL**  
THE INFORMATION CONTAINED IN THIS DRAWING IS THE SOLE PROPERTY OF CHICAGO PLASTIC SYSTEMS. ANY REPRODUCTION IN PART OR AS A WHOLE WITHOUT THE WRITTEN PERMISSION OF CHICAGO PLASTIC SYSTEMS IS PROHIBITED.

MATERIAL  
FINISH  
DO NOT SCALE DRAWING

	NAME	DATE
DRAWN	JACOBSEN	10/28/2010
CHECKED		
ENG APPR.		
MFG APPR.		
Q.A.		
COMMENTS:		

Chicago Plastic Systems (800) 244-8013 (815) 455-4599 sales@cpsfab.com		 Chicago Plastic Systems, Inc.	
TITLE:		DIPPING BASKET	
SIZE	DWG. NO.	REV	
<b>B</b>	J4796-902	A-01	
SCALE: 1:8		WEIGHT:	SHEET 1 OF 1

8 7 6 5 4 3 2 1