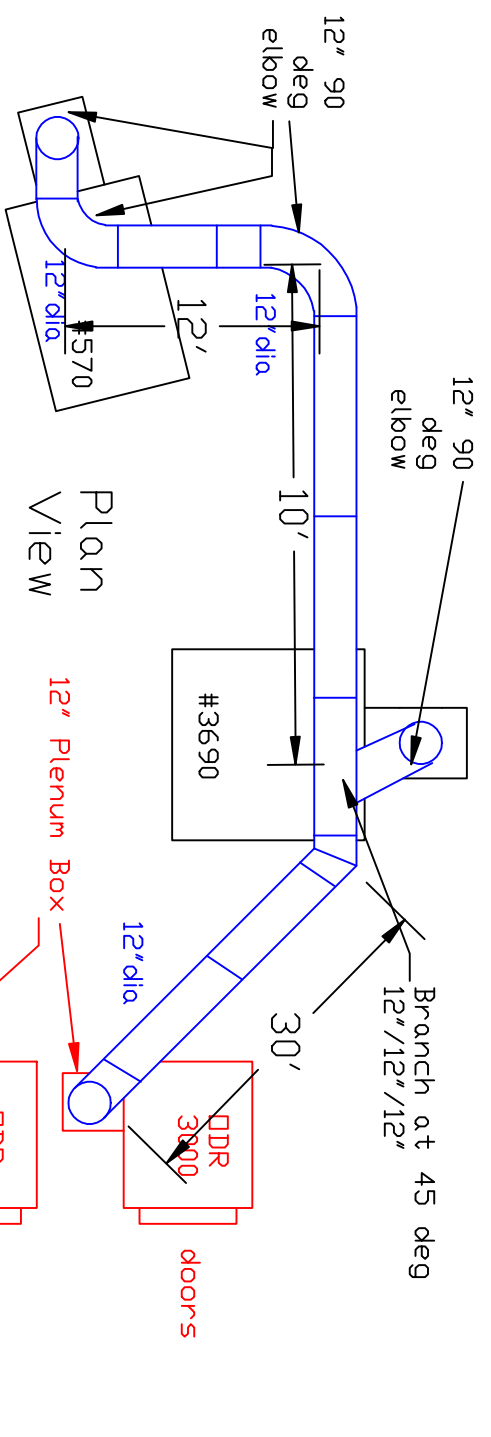
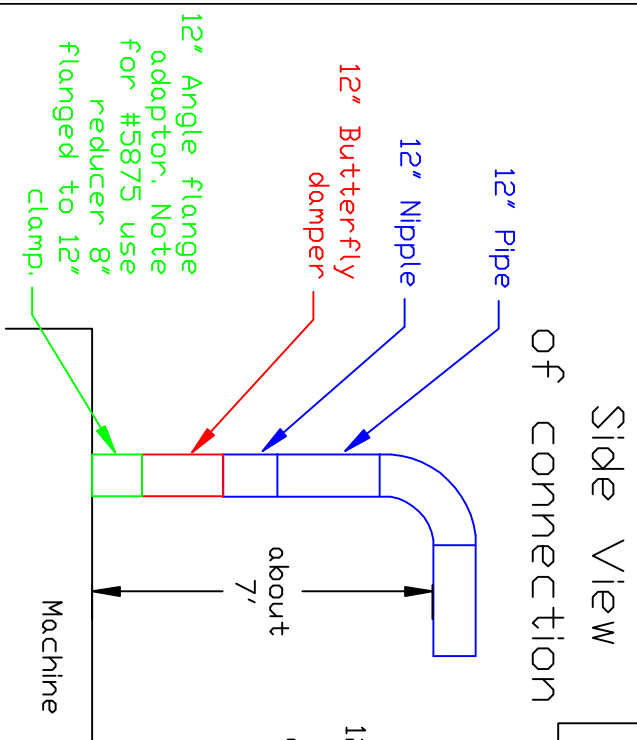


Ductwork Layout for Stamping Presses



Plan View



Side View of connection

- Notes:
- A) Bottom of ductwork 12' off of floor. Keep close to ceiling as possible.
 - B) Each drop to have butterfly damper for airflow adjustment.
 - C) Hang ductwork with Gripples every 10'
 - D) Drain line to have P-Trap and to be installed by Elkhardt.
 - E) DDR to sit on stand (see drawing) and to be made by Elkhardt.

Industrial Air Quality
 102 AG DRIVE
 TOURNAVILLE, NC 27596
 PH 919-562-7181 F# 919-562-7182

Project: Elkhardt Products
 Drawing: Ductwork layout
 Date: 6/18/10 Drawn by: RAV
 Revision 2

