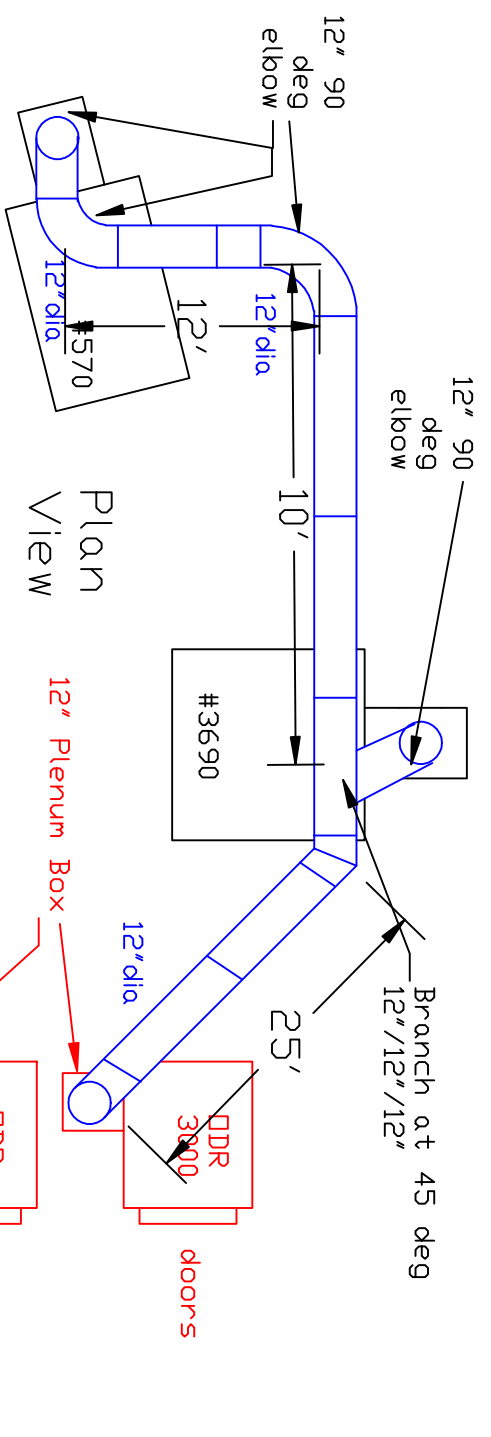
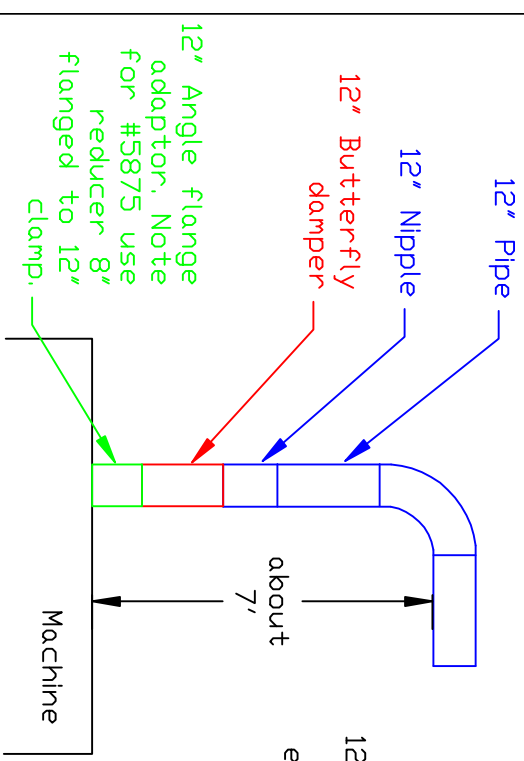


# Ductwork Layout for Stamping Presses



## Side View of connection



- Notes:
- A) Bottom of ductwork 12' off of floor. Keep close to ceiling as possible.
  - B) Each drop to have butterfly damper for airflow adjustment.
  - C) Hang ductwork with Gripples every 10'
  - D) Drain line to have P-Trap and to be installed by Elkhardt.
  - E) DDR to sit on stand (see drawing) and to be made by Elkhardt.

Industrial Air Quality  
 102 AG DRIVE 27596  
 TOURNSVILLE, NC  
 PH 919-562-7181 F# 919-562-7182

Project: Elkhardt Products  
 Drawing: Ductwork layout  
 Date: 6/18/10 Drawn by: RAV

Sheet No: