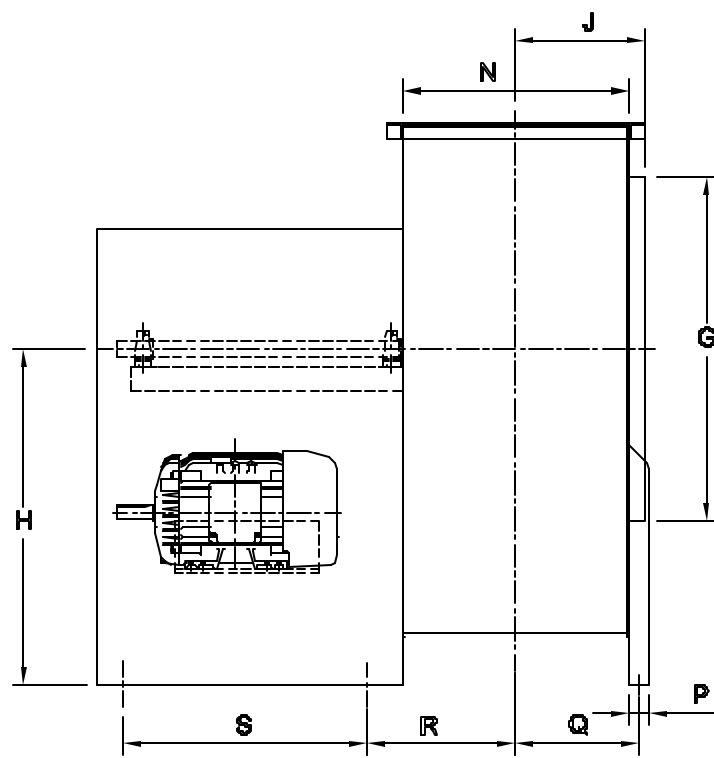


DRIVE SIDE

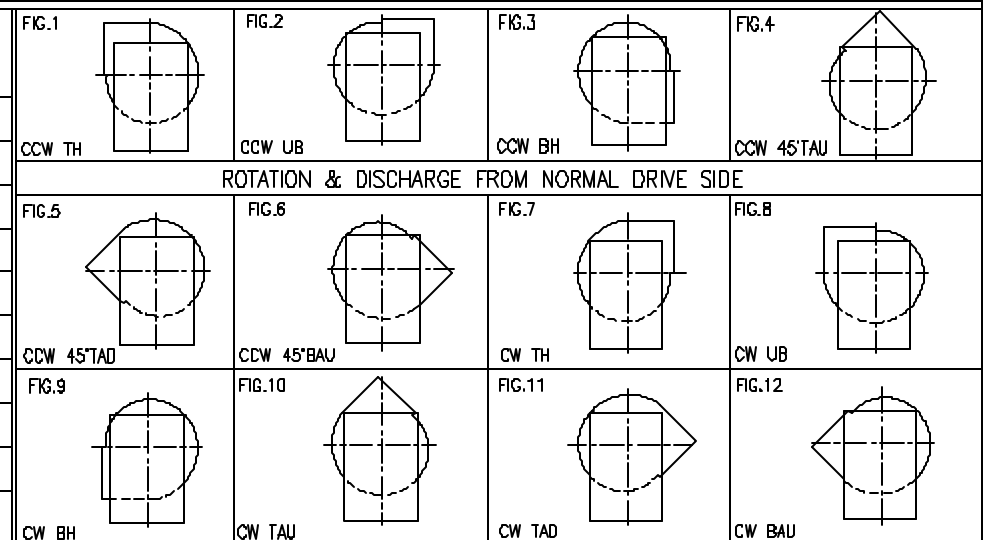


FRONT VIEW

DIMENSION - INCHES

FAN SIZE	WHEEL DIA.	SHAFT DIA.		KEYWAY SIZE		A	B	C	D	E	F	G	H	J	N	P
		CL I	CL II	CL I	CL II											
12 1/4	12 1/4	1 3/16	1 7/16	1/4x1/8	3/8x3/16	13 1/8	10 7/8	13 7/8	12 1/2	10 1/8	18	16	18 1/2	6 15/16	9 7/8	1 1/2
13 1/2	13 1/2	1 3/16	1 7/16	1/4x1/8	3/8x3/16	14 3/8	11 7/8	15 1/4	13 3/4	11 5/8	18	17 1/4	18 1/2	7 3/8	10 3/4	1 1/2
15	15	1 3/16	1 7/16	1/4x1/8	3/8x3/16	16	13 1/8	16 7/8	15 1/8	11 3/4	20 1/2	18 3/4	21 1/2	8	12	1 1/2
16 1/2	16 1/2	1 3/16	1 7/16	1/4x1/8	3/8x3/16	17 5/8	14 3/8	18 1/2	16 5/8	12 3/4	20 1/2	20 1/4	21 1/2	8 9/16	13 1/8	1 1/2
18 1/4	18 1/4	1 3/16	1 7/16	1/4x1/8	3/8x3/16	21 1/4	17 1/4	22 1/4	20	15	23 1/2	23 1/4	24 1/2	9 5/16	14 9/16	1 1/2
20	20	1 7/16	1 11/16	3/8x3/16	3/8x3/16	21 1/4	17 1/4	22 1/4	20	15	26 1/2	25 1/4	27 1/2	9 5/16	15 3/4	2
22 1/4	22 1/4	1 7/16	1 11/16	3/8x3/16	3/8x3/16	23 5/8	19 1/8	24 5/8	22 1/8	16 1/2	24 1/2	27 1/4	30 1/2	10 13/16	17 5/8	2
24 1/2	24 1/2	1 7/16	1 11/16	3/8x3/16	3/8x3/16	26	21 1/8	27 5/8	24 3/8	18	26	29 3/4	33 1/2	11 11/16	19 3/8	2
27	27	1 11/16	1 15/16	3/8x3/16	3/8x3/16	28 5/8	23 1/8	29 7/8	26 3/4	20 1/8	26	33 1/4	33 1/2	12 5/8	21 1/4	2

FAN SIZE	Q	R	S	T	W	MAX. MTR FR
12 1/4		7 11/16	14 3/4	7 11/16	1/4	213T
13 1/2		8 1/8	14 3/4	7 11/16	3/8	213T
15	6 13/16	9	17 1/4	8 11/16	3/8	215T
16 1/2	7 3/8	9 9/16	17 1/4	8 11/16	3/8	215T
18 1/4	8 1/8	10 13/16	18 3/4	10 3/16	1/2	254T
20	9	11 5/8	21	11 5/16	1/2	284T
22 1/4	9 15/16	12 9/16	24 1/4	10 1/4	1/2	286T
24 1/2	10 15/16	14 3/16	25 1/4	11	5/8	326T
27	11 3/4	14 7/8	25 1/4	11	3/4	326T



ITEM NO.	IDENTIFICATION	NO. REQD.	FAN SIZE	CLASS	ARRGT.	FIG. NO.	PERFORMANCE					DRIVE DATA				
							CFM	Q.V.	SP	R.P.M.	TEMP.	BHP	MTR. SHV.	FAN SHV.	BELTS	CTRS.
1	1113 UNF	1	13 1/2	II	10	8	2250		5	3200		3.1				

ITEM NO.	MOTOR DATA						SPECIAL FEATURES
	HP	RPM	CURRENT	FRAME	TYPE	MTR.POS.	
1	5	3600	460/3/60	184T			12, 15, 16, 19

NOTES:  
MOTOR AND DRIVES SUPPLIED AND MOUNTED BY S.E.

- SPECIAL FEATURES
- 1. BACK DRAFT DAMPER
  - 2. OUTLET COWL
  - 3. INLET SCREEN
  - 4. OUTLET SCREEN
  - 5. DRAIN
  - 6. BIRD SCREEN
  - 7. FLANGED INLET
  - 8. BELT GUARD
  - 9. EXTENDED GREASE LINES
  - 10. ACCESS DOOR
  - 11. SHAFT SEAL
  - 12. FLANGED OUTLET
  - 13. ALUMINIUM WHEEL
  - 14. SPECIAL PAINT.
  - 15. MOUNTING MOTOR & DRIVE.
  - 16. WEATHER COVER
  - 17. INLET SUPPORT LEG
  - 18. FLAT BLUE PRIMER
  - 19. SLIP FIT INLET
  - 20. UNITARY BASE & SPRING ISOLATORS

CUSTOMER INDUSTRIAL AIR QUALITY  
P.O.# 15922  
JOB NAME ELECTROLUX HOME PRODUCTS  
LOCATION ORANGEBURG, SC


**SERIES 1100**  
 ARRANGEMENT 10 SIZES 12 1/4 TO 27  
 CLASS I,II  
**SHELDONS ENGINEERING**  
 www.sheldonsengineering.com  
 sales@sheldonsengineering.com

FURNISHED FOR SALES PURPOSE DIMENSIONS NOT CERTIFIED	DATE	SUBMITTED BY	SALES OFFICE
DRAWING CERTIFIED BY S.E. FURNISHED FOR APPROVAL-NOT RELEASED FOR PRODUCTION	DATE	ENGINEER	so# 03-9371
DRAWING CERTIFIED BY S.E. APPROVAL-NOT REQUIRED-RELEASED FOR PRODUCTION	DATE OCT 20, 03	ENGINEER V.P.	DWG# CD-039371