



**Date:** April 13, 2015

**Project:**

**To:** North side High school

**Attn:**

**Recommended Equipment:**

- (1) Fan: DBN 150 w/ 6000 CFM
- (4) SDT-180
- (1) SPC-1000
- (1) Standing Arm: 2030P (8" x 10')

---

**Avani Environmental Intl. Inc.**

95 Cypress Drive

Youngsville, NC 27596

[www.avanienvironmental.com](http://www.avanienvironmental.com)

Phone: (919) 570-2862

Fax: (919) 570-2863

Email: [info@avanienvironmental.com](mailto:info@avanienvironmental.com)

[www.weldingbooths.com](http://www.weldingbooths.com)

DO NOT SCALE

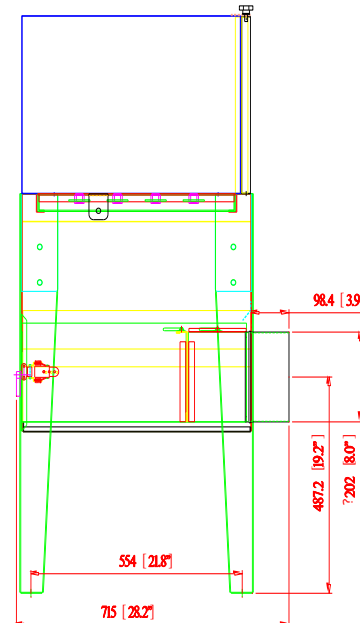
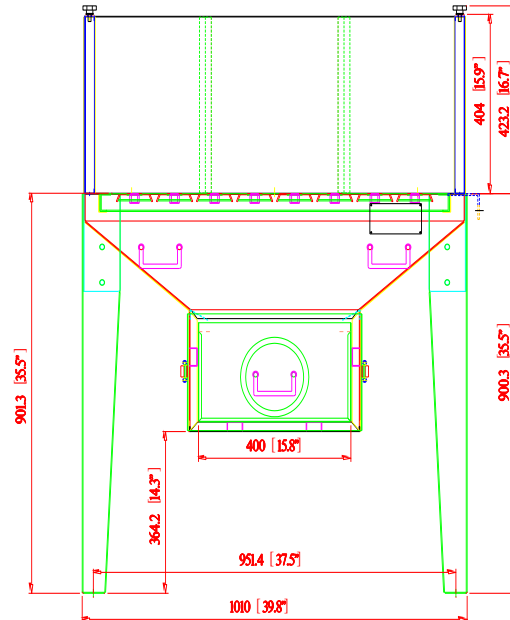
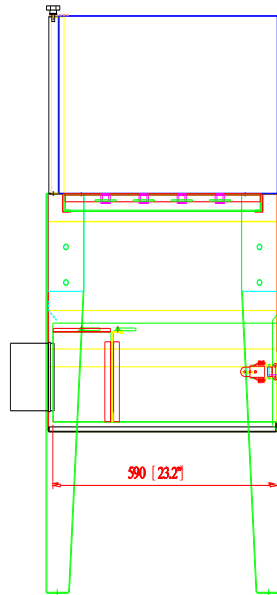
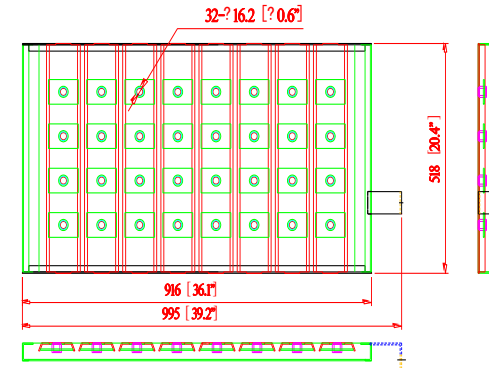
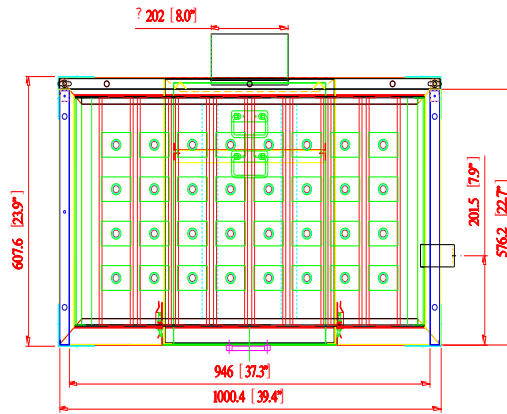
IF IN DOUBT ASK



Revisions

Rev	Description	Date	Approved
-----	-------------	------	----------

# PRELIMINARY



AVANI ENVIRONMENTAL INTL. INC. Sales Department  
 95 Cypress Drive (919) 570-2862  
 Youngsville, NC 27596 info@avanienvironmental.com

Drawn by:	Date	Name	Part Number:
Checked by:	2012-10-11	***	REVISION A

Title: SDT-180

The drawings, AutoCAD, 3-D Models, and specifications are the property of Avani Environmental Intl. Inc. (AE) and may not be reproduced, distributed, modified, or otherwise used, except provided herein, without the express written permission of AE.

Size A Scale 1 = 15

Drawing Number: FE-180

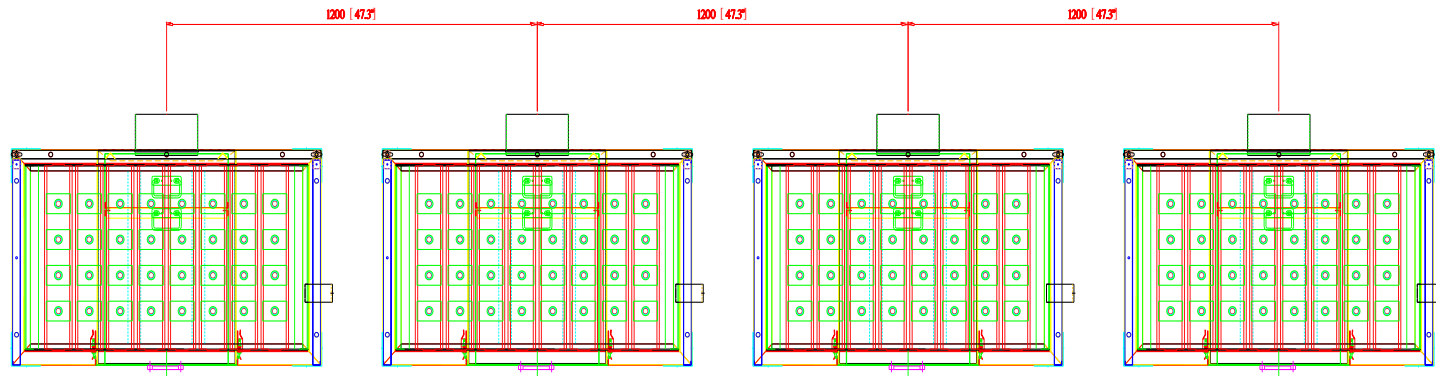
DO NOT SCALE

IF IN DOUBT ASK



Revisions

Rev	Description	Date	Approved
-----	-------------	------	----------



# PRELIMINARY

AVANI ENVIRONMENTAL INTL. INC. Sales Department  
 95 Cypress Drive (919) 570-2862  
 Youngsville, NC 27596 info@avanienvironmental.com

	Date	Name	Part Number:
Drawn by:	2015-04-13	***	REVISION A
Checked by:			

Title: SDT-180-C layout

The drawings, AutoCAD, 3-D Models, and specifications are the property of Avani Environmental Intl. Inc. (AE) and may not be reproduced, distributed, modified, or otherwise used, except provided herein, without the express written permission of AE.

Size **A** Scale 1 = 15

Drawing Number: FE-180

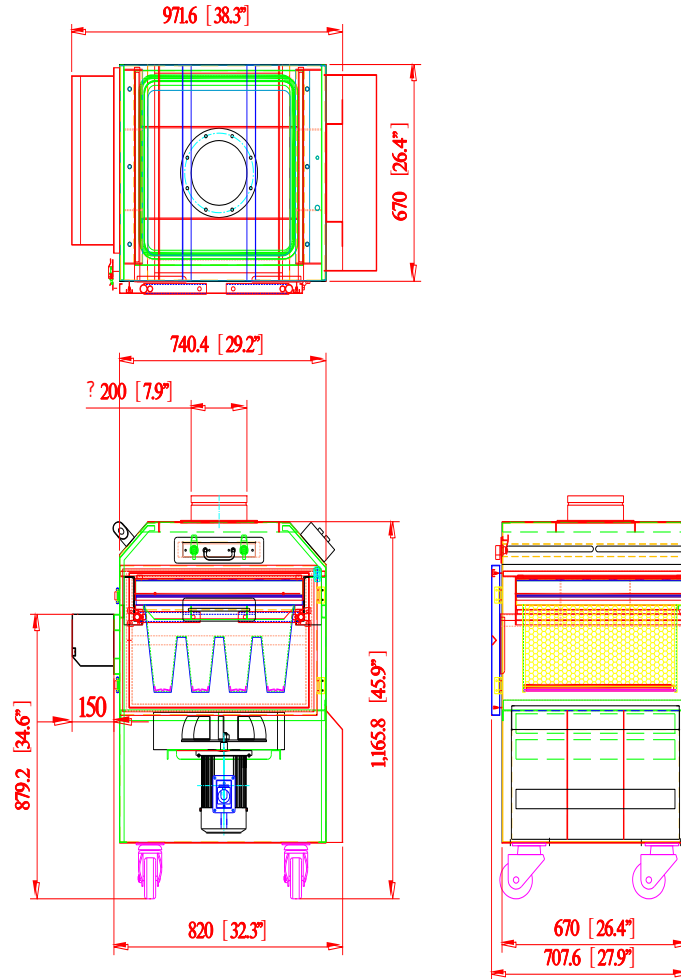
DO NOT SCALE

IF IN DOUBT ASK



Revisions

Rev	Description	Date	Approved
-----	-------------	------	----------



PRELIMINARY

AVANI ENVIRONMENTAL INTL. INC. Sales Department  
 95 Cypress Drive (919) 570-2862  
 Youngsville, NC 27596 info@avanienvironmental.com

	Date	Name	Part Number:	Title:
Drawn by:	2015.04.09	***	REVISION A	FE-2100GT-C
Checked by:				

The drawings, AutoCAD, 3-D Models, and specifications are the property of Avani Environmental Intl. Inc. (AE) and may not be reproduced, distributed, modified, or otherwise used, except provided herein, without the express written permission of AE.

Size	Scale	Drawing Number:
A	1 = 1	**

DO NOT SCALE

IF IN DOUBT ASK



Revisions

Rev	Description	Date	Approved
-----	-------------	------	----------

## Standing Arm 8"\*10'

**Diameter:** 8"

**Length:** 10'

**Weight:** 55.1 lbs (net)

**Arm Construction:** Two galvanized steel tubes, three pieces of flex hose at joints, aluminum hood, heavy gauge steel swivel base, and support gas shock.

**Arm Adjustment:** Externally supported, adjustments are quickly done at the joints.

**Hood:** 14" diameter round aluminum hood.

**Damper:** Internal with external adjustment.

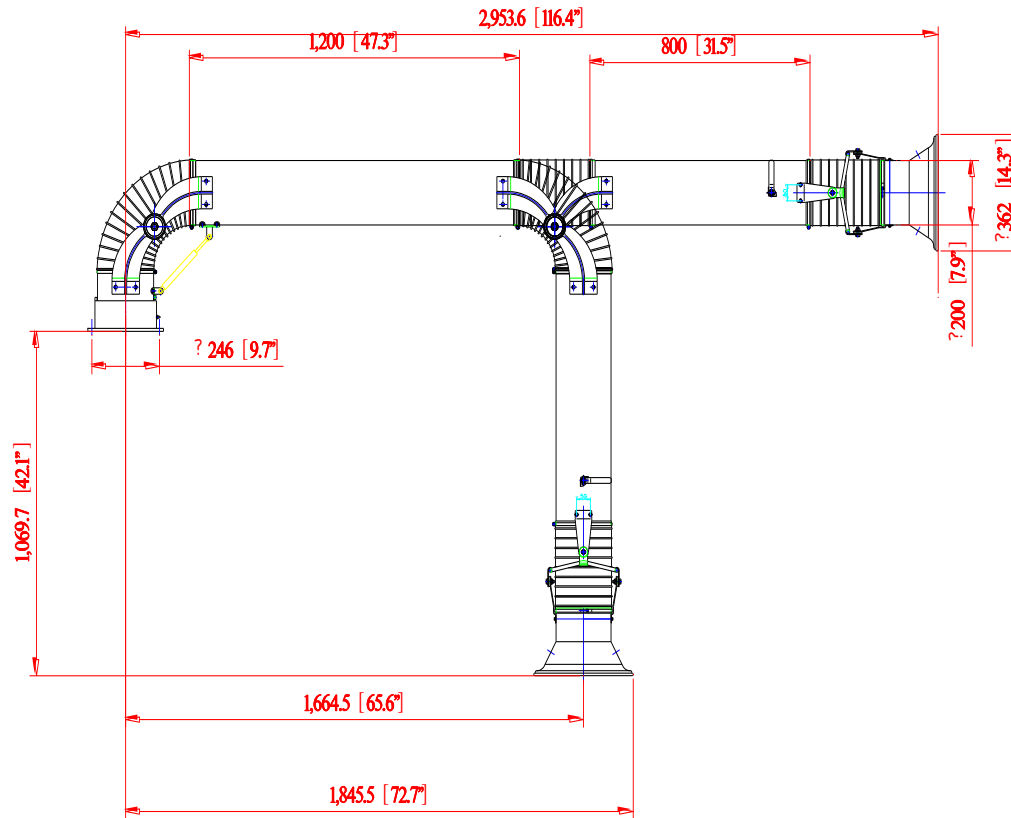
**Finish:** Powder coated.

**Hose:** Rated at 160°F

**Accessories:** Mounting bracket and light kit.

**Mounting Bracket:**

**Warranty:** Limited two years from date of purchase.



Packing Size:	166 x 40 x 75.5 cm 65.4 x 15.7 x 29.7 inch
N.W. / G.W.:	25 / 35 kgs 55.1 / 77.2 lbs

AVANI ENVIRONMENTAL INTL. INC. Sales Department  
95 Cypress Drive  
Youngsville, NC 27596

(919) 570-2862  
info@avanienvironmental.com

Date	Name	Part Number:	Title:
2010-01-29	***	**	Arm 2030P
Checked by:			

The drawings, AutoCAD, 3-D Models, and specifications are the property of Avani Environmental Intl. Inc. (AE) and may not be reproduced, distributed, modified, or otherwise used, except provided herein, without the express written permission of AE.

Size	Scale	Drawing Number:
A	1 = xx	2010.01.29

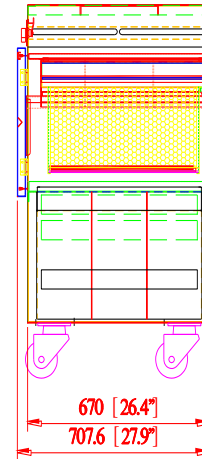
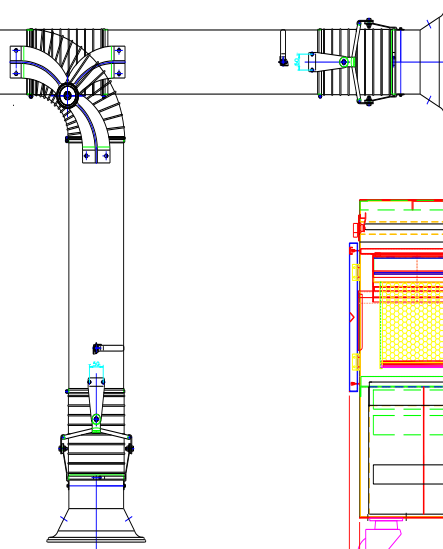
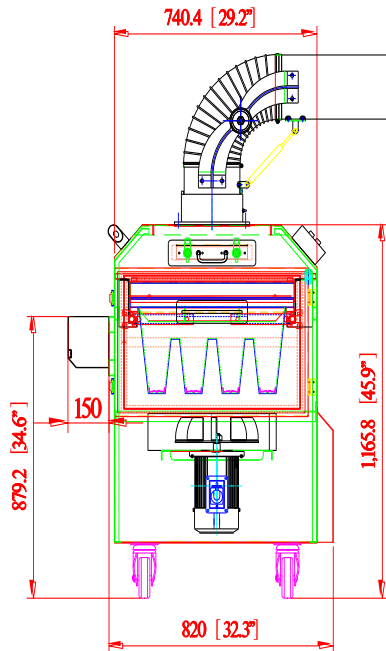
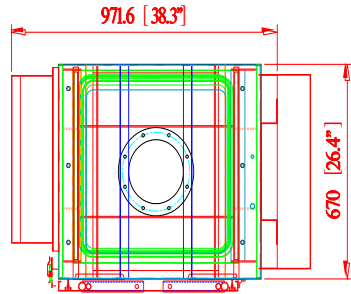
DO NOT SCALE

IF IN DOUBT ASK



Revisions

Rev	Description	Date	Approved
-----	-------------	------	----------



PRELIMINARY

AVANI ENVIRONMENTAL INTL. INC. Sales Department  
95 Cypress Drive (919) 570-2862  
Youngsville, NC 27596 info@avanienvironmental.com

Drawn by:	Date	Name	Part Number:	Title:
Checked by:	2015.04.09	***	REVISION A	FE-2100GT w/ 2030P-C
The drawings, AutoCAD, 3-D Models, and specifications are the property of Avani Environmental Intl. Inc. (AE) and may not be reproduced, distributed, modified, or otherwise used, except provided herein, without the express written permission of AE.			Size	Scale
			A	1 = 1
			Drawing Number:	**









