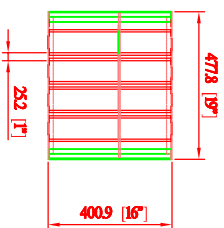
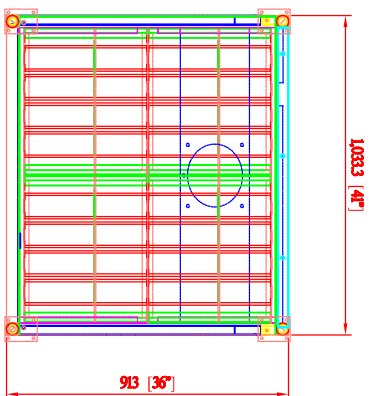


DO NOT SCALE

IF IN DOUBT ASK

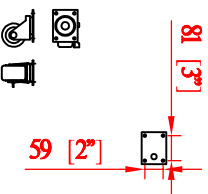
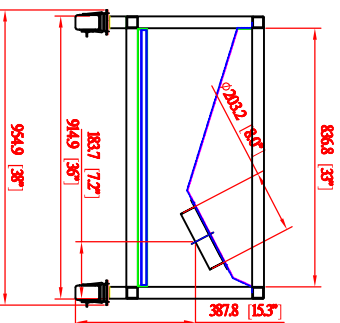
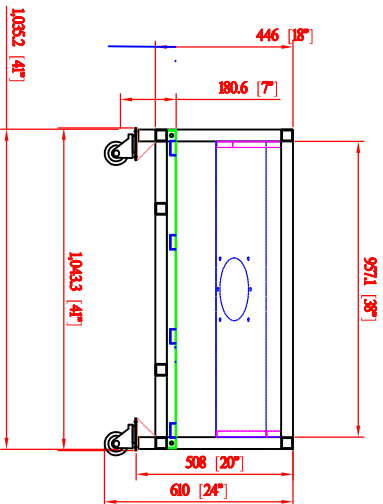


Revisions			
Rev	Description	Date	Approved



SDT-3-DOWNDRAFT TABLE SPECIFICATIONS

1. Dimensions: 41" D x 38" W x 24" H
2. Table bar: 1"
3. Wheel: 3"
4. Housing: 1.6 MM Steel; Powder Coat: Avani Blue
5. Work Surface: Steel Bar Grating,



AVANI ENVIRONMENTAL INTL. INC. Sales Department
 95 Cypress Drive (919) 570-2862
 Youngsville, NC 27596 info@avanienvironmental.com

Date	Name	Part Number:	Title:
2015.09.10	***	Revision B	SDT-3-C
Drawn by:	Checked by:	Size	Scale
		E	1 = 30
The drawings, AutoCAD, 3-D Models, and specifications are the property of Avani Environmental Intl. Inc. (AE) and may not be reproduced, distributed, modified, or otherwise used, except provided herein, without the express written permission of AE.		Drawing Number:	SDT-3-C