



REPRESENTED BY:

TODD AIR SOLUTIONS
101 E FISHER ST, 3rd FLOOR
SALISBURY NC 28144
Phone: 704 630-1101
Fax: 704 630-0528

DRAWING SUBMITTAL

CUSTOMER:

AVANI ENVIRONMENTAL
PO BOX 1279
YOUNGSVILLE, NC 27596

DATE: 10/21/2011

ATTENTION: Mr. Bob Venezia
P.O. # 3693
CFV # 1113283
REPRESENTATIVE ORDER # CFQ# 201220

X REFERENCE APPROVAL CORRECTION

Table with 3 columns: QTY., DRAWING NO., DESCRIPTION. Rows include SPECIFICATION SHEET, MODEL HDBI-120, DISCHARGE FLANGE, and INLET FLANGE.

REMARKS: 2D CAD FILE ALSO INCLUDED.



SPECIFICATION SHEET

CFV NO. 1113283	CUSTOMER ID NUMBER 3566220	PAGE 1	
S O L D	AVANI ENVIRONMENTAL PO BOX 1279 YOUNGSVILLE, NC 27596	S H I P	WILL ADVISE WILL ADVISE WILL ADVISE, NC
T O		T O	
	CUSTOMER P.O. NUMBER 3693	BUYER Mr. Bob Venezia	REQUESTED SHIP DATE 11/11/11

MARKS 3693										
SHIP VIA USF Holland/Averitt/R&L			REPRESENTATIVE TODD AIR SOLUTIONS				REP. ORDER NO. CFQ# 201220		SHIPPING CHARGES Prepaid & Add	
QTY. 1	DESCRIPTION HEAVY DUTY BI BLOWER				MODEL HDBI-120	ROT CW	DISCH TH	ARR 4	WHEEL/PROP HDBI 95%	INLET
MOTOR DATA	HP 5	RPM 3500	PH 3	CYCLE 60	VOLTAGE SEE BELOW	FRAME 184T	ENCLOSURE TEFC	SUPPLIED BY CFV	INSTALLED BY CFV	
	SPECIAL MOTOR FEATURES 374854S							GROOVES	FXD/ADJ	BELT
FAN DATA	DENSITY	TEMP.	ALTITUDE	CFM	SP	RPM	BHP	MOTOR SHEAVE		BUSHING
AT OPERATING CONDITIONS	.075	70 °F.		2400	5.000	3500	3.020	FAN SHEAVE		BUSHING
MOTOR VENDOR MODEL NUMBER	1LE21211CA314AA3									

Record Print, 2D CAD Drawings

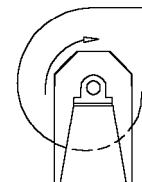
Complete Motor Description:

MTR, 5 HP, 2850/3450 RPM, 3PH, 50/60Hz, 200/400/50 & 208-230/460/60, TEFC, Prem Eff, FM, 184T, 1.15 SF, F Insul., 40C Amb., Sealed Bearings, F1 Box, Alum. Frame, CE, 1.00 SF @ 50 HZ., GP100A SERIES, NOT PREM. EFF. ON 50 HZ., ALTERNATE #1LE21111CA314AA3, Siemens

Maximum allowable wheel speed at 70°F is 4380 RPM

- Estimated Shipping Weight: 231 pounds
- CLASS II WHEEL CONSTRUCTION
- FABRICATED SLIDE GATE DAMPER ON DISCHARGE
- DRILL DISCHARGE FLANGE STANDARD
- DRILL INLET FLANGE STANDARD BOLT CIRCLE ON-CENTERS
- QUICK OPEN INSPECTION DOOR AT 9 O'CLOCK
- DRAIN
- TEFLON SHAFT SEAL
- AVANI BLUE PAINT

Submittal Email: bvenezia@avanienvironmental.com



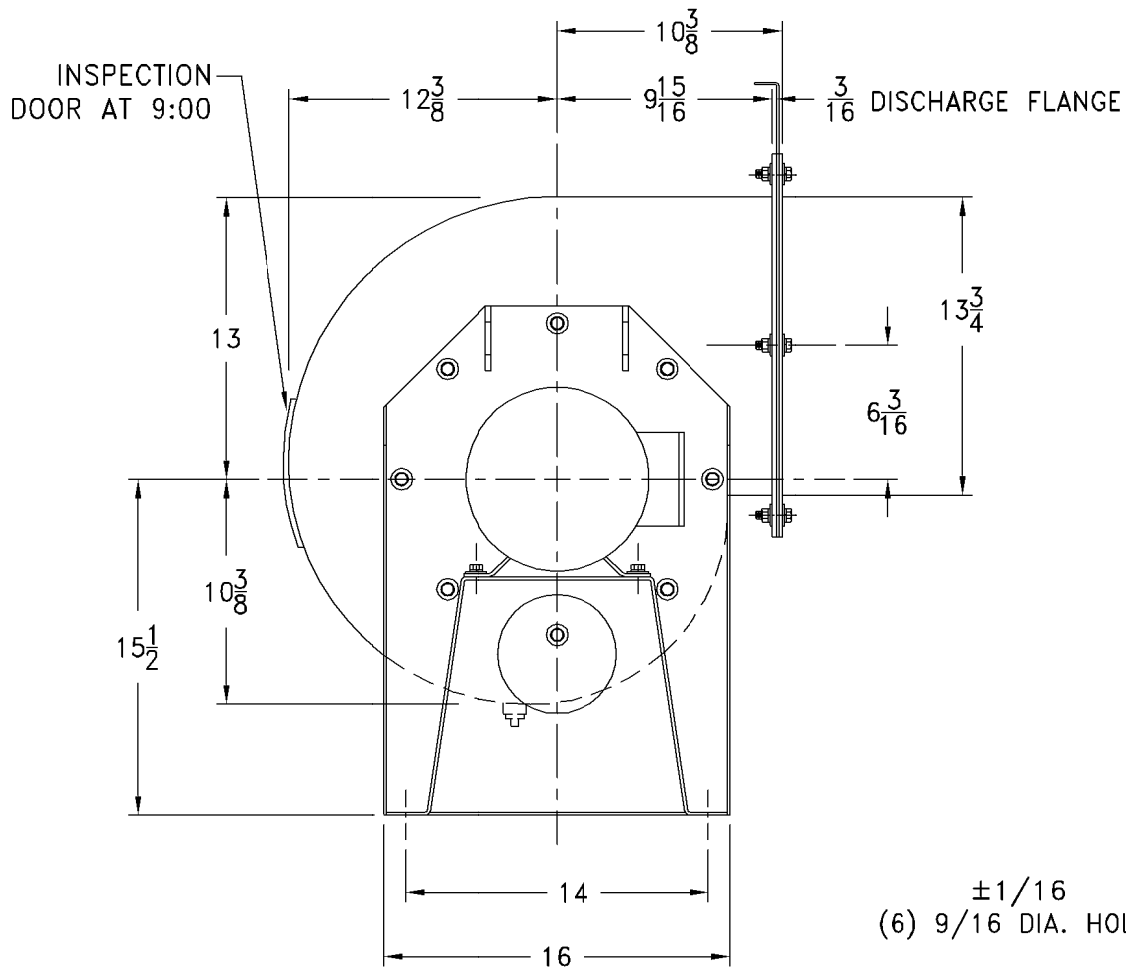
CW TH

LG

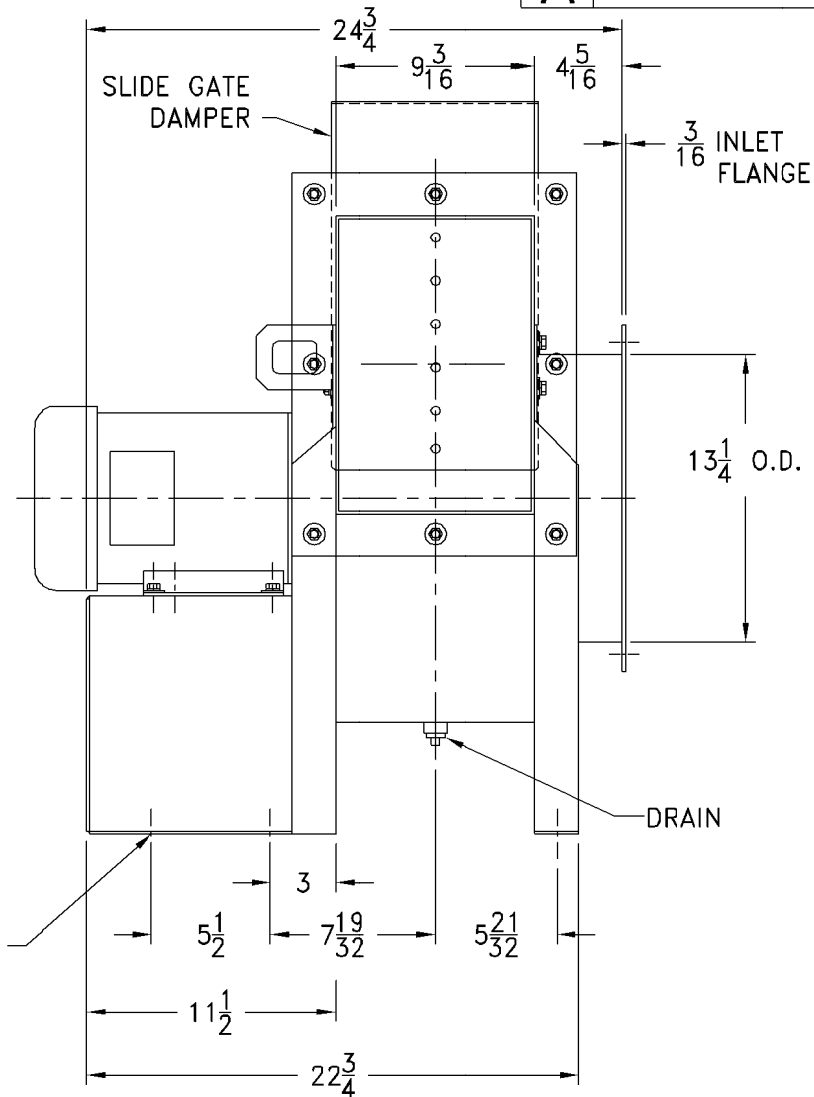
10/21/2011

DR. BY _____

DATE: _____ CERTIFIED



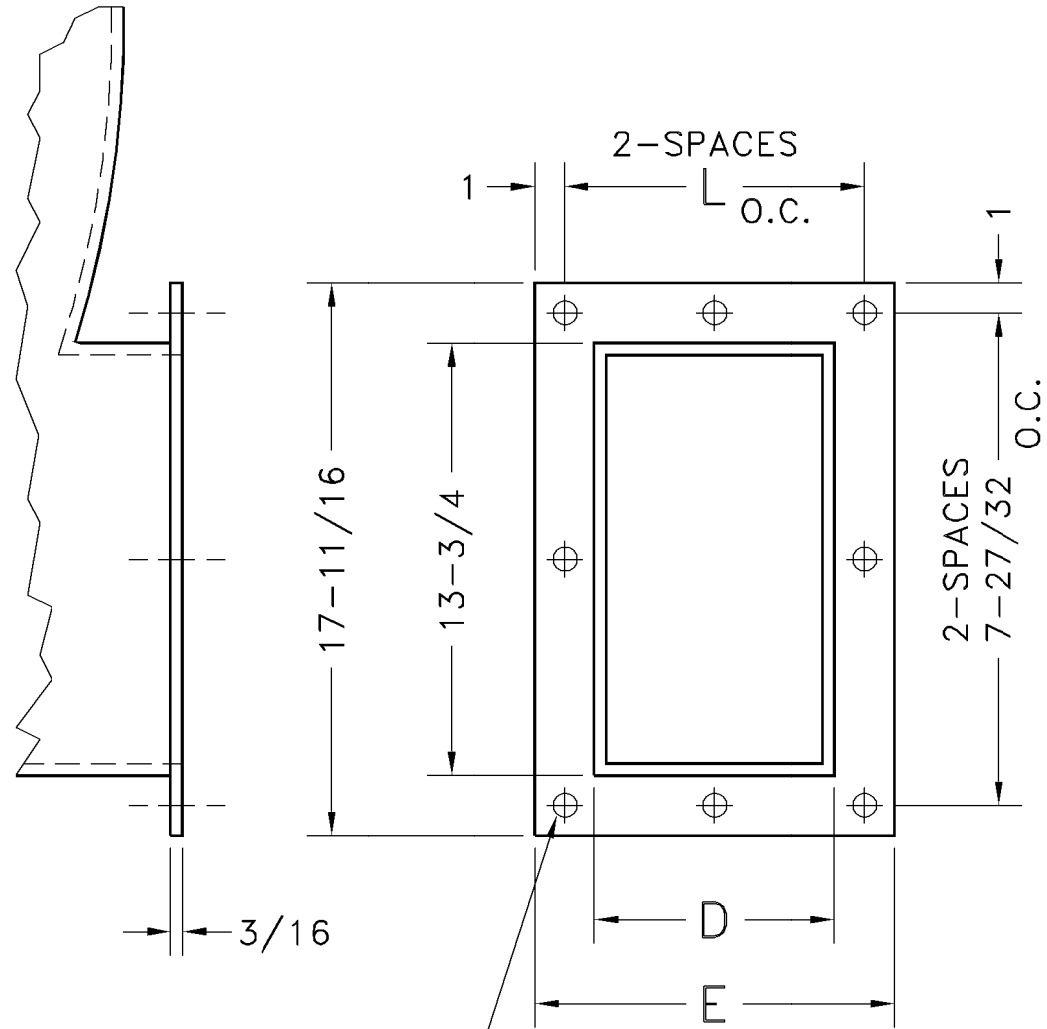
CLOCKWISE TOP HORIZONTAL DISCHARGE SHOWN



±1/16
(6) 9/16 DIA. HOLES

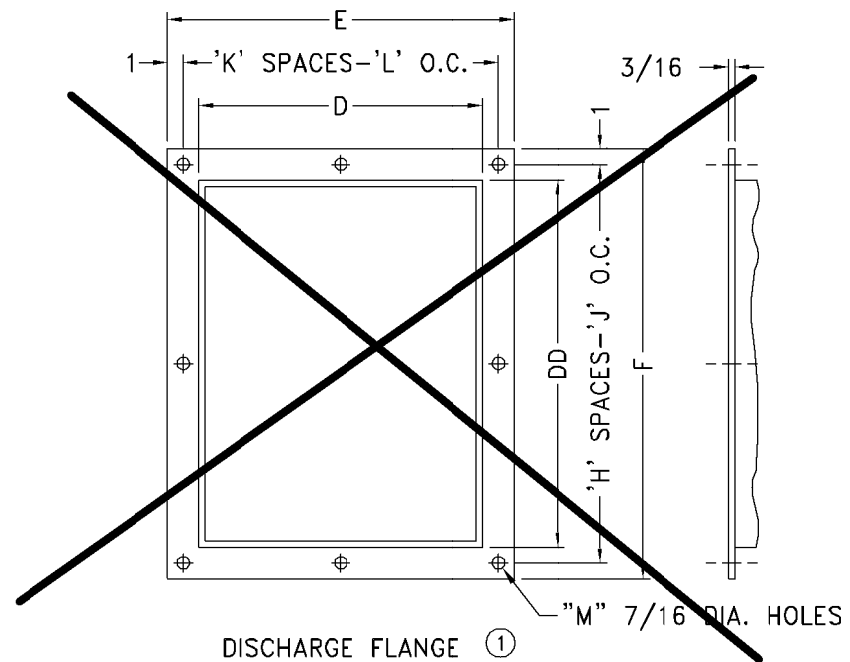
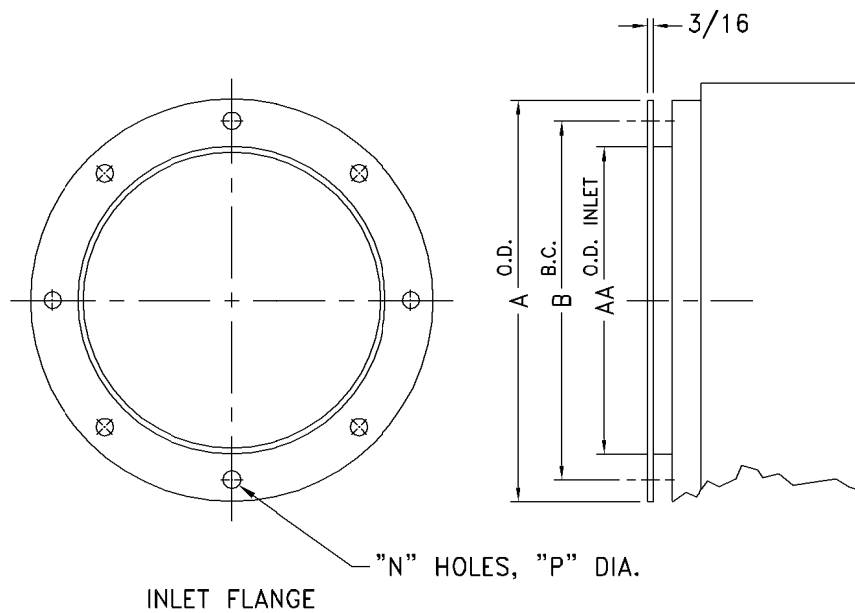
- NOTES:
 1. 182T-184T FRAME MOTOR SHOWN.
 2. SEE DWG A27205-01 FOR DISCHARGE FLANGE.
 3. SEE DWG A27205 FOR INLET FLANGE.

				SUPERSEDES:		TOLERANCES: FRACTIONS ± 1/8 ANGLES: ± 1° DECIMALS: X.XXX = ±0.005 X.XX = ±0.060 X.X = ±0.120 ALL DIMENSIONS IN INCHES UNLESS OTHERWISE SPECIFIED		SCALE: FULL IN CAD DATE: 10/21/11 DR. BY: LG CHK. BY:		 7697 SNIDER ROAD MASON, OHIO 45040 TITLE HDBI/HDAF-120 ARR. 4 95% WIDTH (CW TH)	
				SIMILAR TO:		MATERIAL:		ASSEMBLY		DRAWING NO. A HD120R4	
NO.	DESCRIPTION	DATE	INITIALS							SHEET 46 of	REV.
REVISIONS											



(8) 7/16 DIA. HOLES

	% WIDTH	D	E	L
	100	9-3/8	13-3/8	5-11/16
X	95	9-3/16	13-3/16	5-19/32
	90	8-15/16	12-15/16	5-15/32
	85	8-3/4	12-3/4	5-3/8
	80	8-1/2	12-1/2	5-1/4
	75	8-5/16	12-5/16	5-5/32
	70	8-1/16	12-1/16	5-1/32
	65	7-7/8	11-7/8	4-15/16
	60	7-5/8	11-5/8	4-13/16
	55	7-7/16	11-7/16	4-23/32
	50	7-3/16	11-3/16	4-19/32
	45	7	11	4-1/2



INLET					
SIZE	A O.D.	B B.C.	N	AA DIA.	P
X 120	16	14-3/8	8	13-1/4	7/16
130	17-3/4	15-15/16	8	14-5/8	7/16
150	19-1/4	17-1/2	8	16-1/8	7/16
160	21-1/8	19-3/8	8	18	7/16
180	23-1/2	21-1/2	12	20	7/16
200	25-1/2	23-1/2	12	22	7/16
220	28-1/8	26-1/8	12	24-5/8	7/16
240	30-3/4	28-3/4	16	27	7/16
270	33-3/4	31-5/8	16	30	7/16
300	37-1/4	35-1/4	16	33-1/2	7/16
330	40-3/8	38-3/4	16	36-3/4	1/2
360	43-5/8	42	16	40	1/2

DISCHARGE									
D	E	F	H	J	K	L	M	DD	
9-3/8	13-3/8	17-11/16	2	7-27/32	2	5-11/16	8	13-3/4	
10-3/8	14-3/8	19-3/16	2	8-19/32	2	6-3/16	8	15-1/4	
11-3/8	15-3/8	20-3/4	3	6-1/4	2	6-11/16	10	16-13/16	
12-1/2	16-1/2	22-7/16	3	6-13/16	2	7-1/4	10	18-7/16	
13-7/8	17-7/8	24-1/2	3	7-1/2	2	7-15/16	10	20-3/8	
15-1/4	19-1/4	26-3/8	3	8-1/8	3	5-3/4	12	22-3/8	
16-7/8	20-15/16	28-7/8	4	6-23/32	3	6-5/16	14	24-7/8	
18-9/16	22-5/8	31-3/8	4	7-11/32	3	6-7/8	14	27-3/8	
20-7/16	24-1/2	34-1/8	4	8-1/32	3	7-1/2	14	30-1/16	
22-3/4	26-3/4	37-5/8	5	7-1/8	3	8-1/4	16	33-9/16	
24-7/8	28-7/8	40-7/8	7	5-9/16	5	5-3/8	24	36-3/4	
27-1/4	31-1/4	44-1/4	7	6-1/32	5	5-27/32	24	40-1/4	

NOTE:

① NOT AVAILABLE ON ANY MODEL FOR DOWNBLAST, BOTTOM ANGULAR DOWN OR TOP ANGULAR DOWN DISCHARGE POSITIONS.
DISCHARGE FLANGE IS STANDARD ON SIZES -270 THRU -360.