



REPRESENTED BY:

TODD AIR SOLUTIONS
101 E FISHER ST, 3rd FLOOR
SALISBURY NC 28144
Phone: 704 630-1101
Fax: 704 630-0528

DRAWING SUBMITTAL

CUSTOMER:

AVANI ENVIRONMENTAL
PO BOX 1279
YOUNGSVILLE, NC 27596

DATE: 10/21/2011

ATTENTION: Mr. Bob Venezia

P.O. # 3693

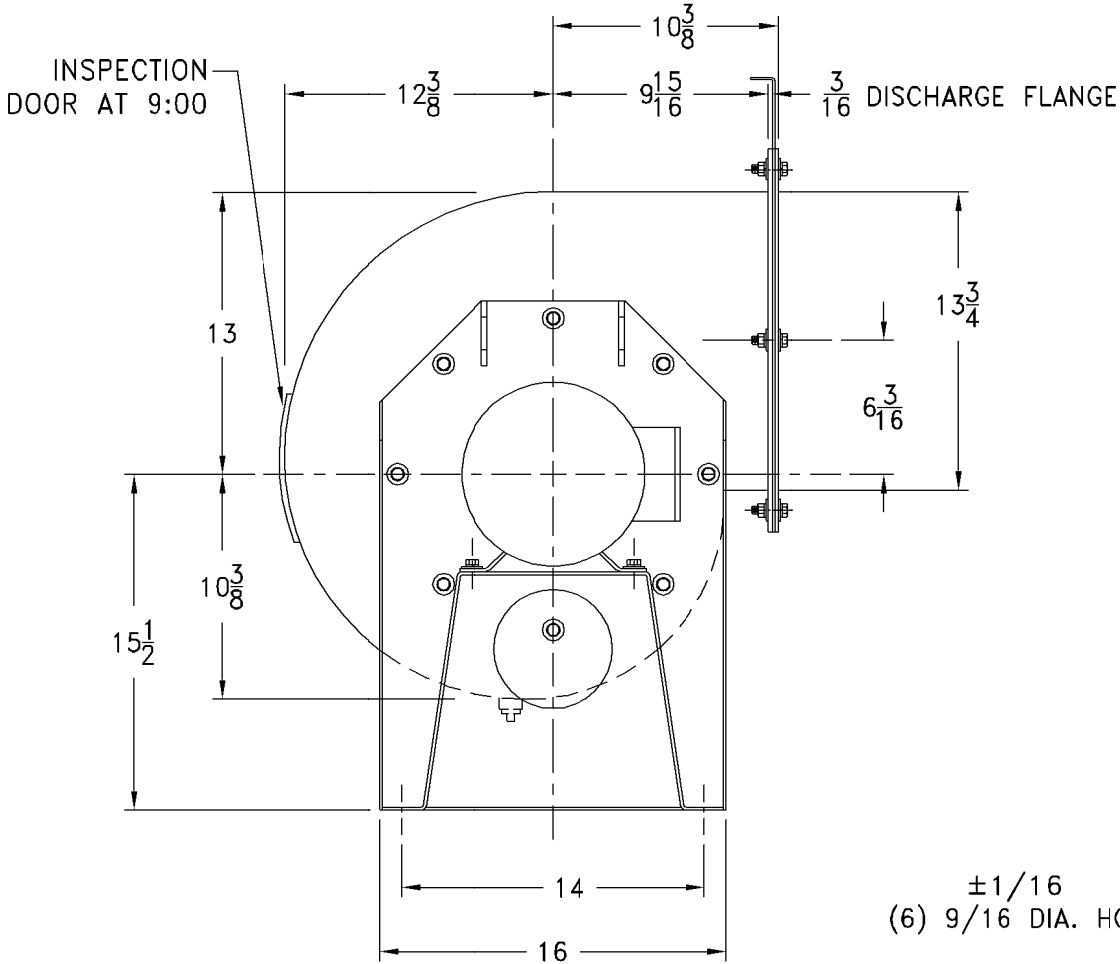
CFV # 1113284

REPRESENTATIVE ORDER # CFQ# 201220

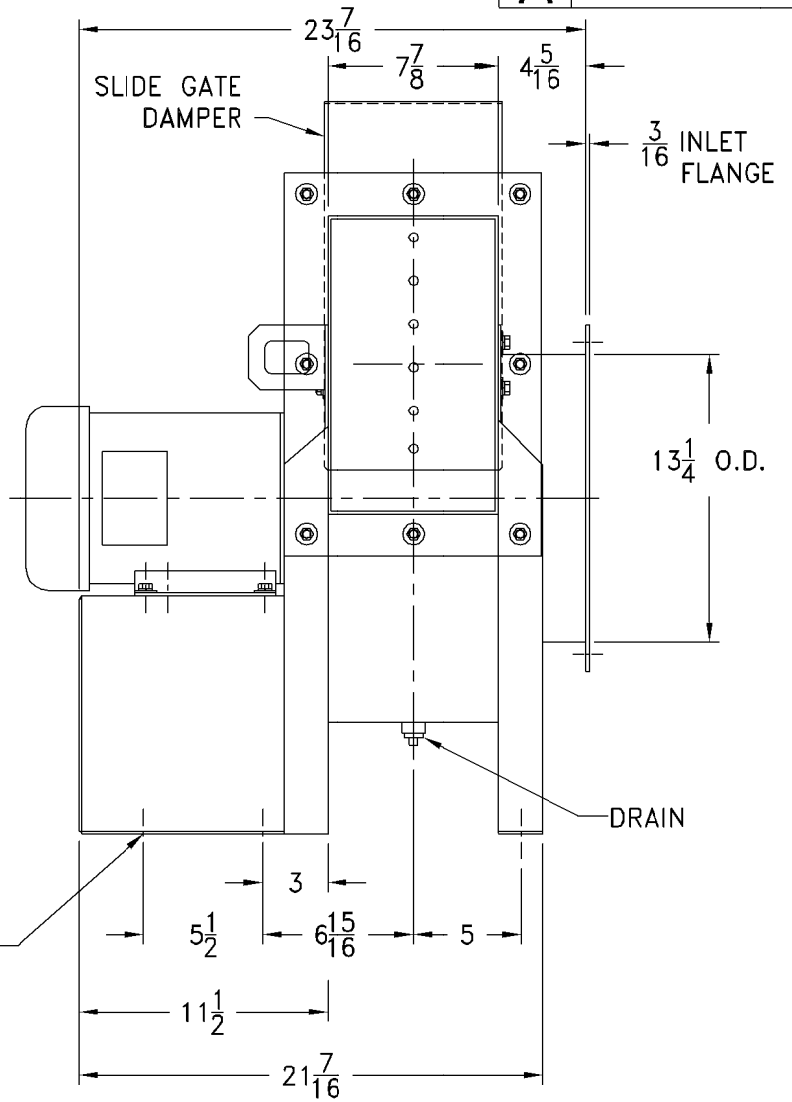
 X REFERENCE APPROVAL CORRECTION

QTY.	DRAWING NO.	DESCRIPTION
	- - - -	SPECIFICATION SHEET
	HD120R4-SHT 47	MODEL HDBI-120
	27205-01	DISCHARGE FLANGE
	27205	INLET FLANGE

REMARKS: 2D CAD FILE ALSO INCLUDED.




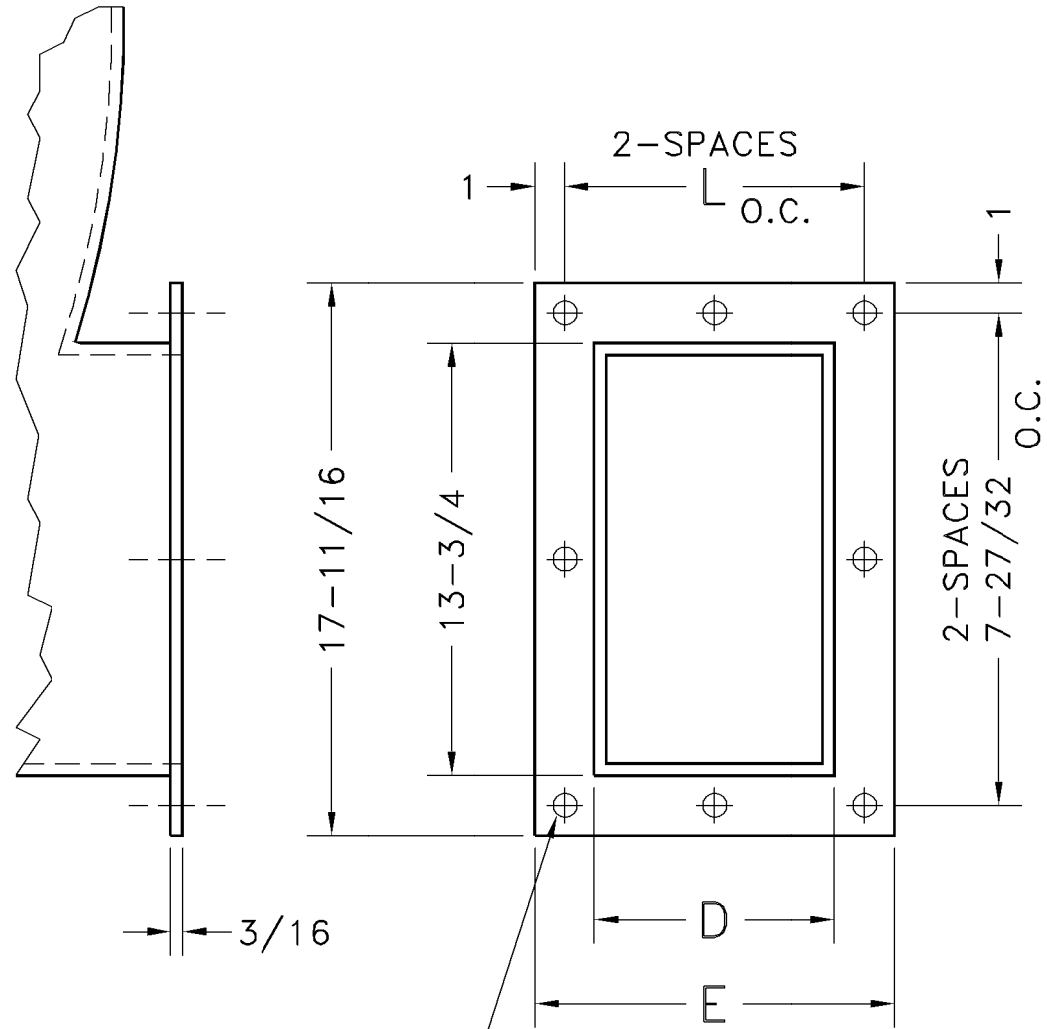
CLOCKWISE TOP HORIZONTAL DISCHARGE SHOWN



±1/16
(6) 9/16 DIA. HOLES

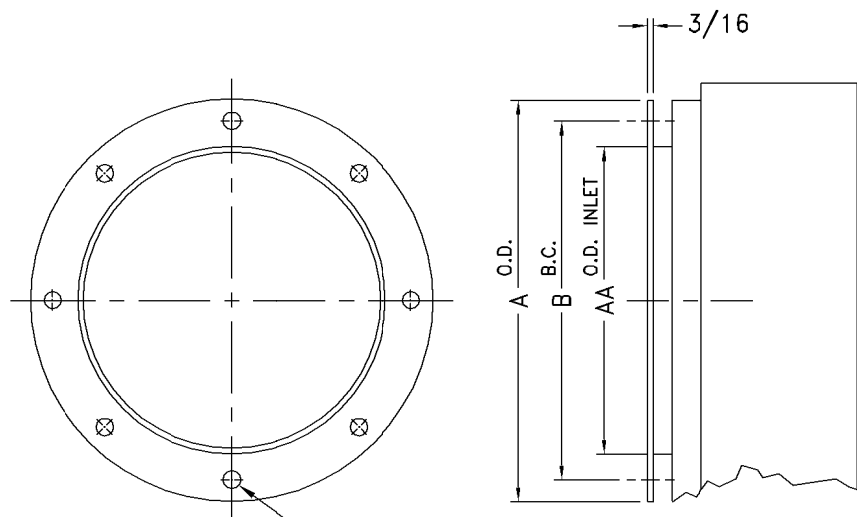
- NOTES:
 1. 182T-184T FRAME MOTOR SHOWN.
 2. SEE DWG A27205-01 FOR DISCHARGE FLANGE.
 3. SEE DWG A27205 FOR INLET FLANGE.

				SUPERSEDES:		TOLERANCES: FRACTIONS ± 1/8 ANGLES: ± 1° DECIMALS: X.XXX = ±0.005 X.XX = ±0.060 X.X = ±0.120		SCALE: FULL IN CAD		 7697 SNIDER ROAD MASON, OHIO 45040			
				SIMILAR TO:		ALL DIMENSIONS IN INCHES UNLESS OTHERWISE SPECIFIED		DATE: 10/21/11				TITLE	
								DR. BY: LG		HDBI/HDAF-120 ARR. 4 65% WIDTH (CW TH)			
								CHK. BY:					
NO.	DESCRIPTION	DATE	INITIALS	MATERIAL:				ASSEMBLY		A	DRAWING NO.	SHEET	REV.
REVISIONS											HD120R4	47 of	

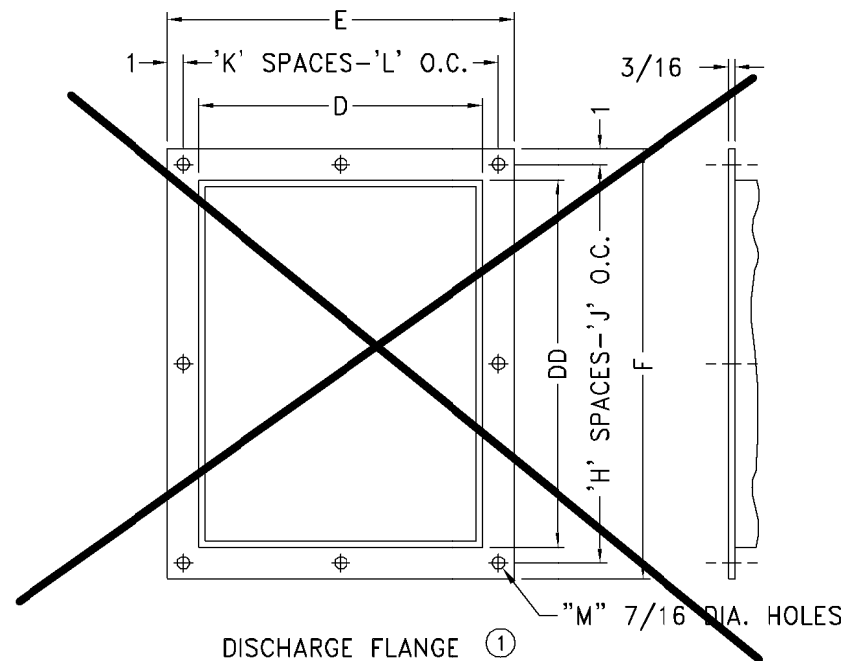


(8) 7/16 DIA. HOLES

% WIDTH	D	E	L
100	9-3/8	13-3/8	5-11/16
95	9-3/16	13-3/16	5-19/32
90	8-15/16	12-15/16	5-15/32
85	8-3/4	12-3/4	5-3/8
80	8-1/2	12-1/2	5-1/4
75	8-5/16	12-5/16	5-5/32
70	8-1/16	12-1/16	5-1/32
65	7-7/8	11-7/8	4-15/16
60	7-5/8	11-5/8	4-13/16
55	7-7/16	11-7/16	4-23/32
50	7-3/16	11-3/16	4-19/32
45	7	11	4-1/2



INLET FLANGE "N" HOLES, "P" DIA.



DISCHARGE FLANGE ①

		INLET				
SIZE	A O.D.	B B.C.	N	AA DIA.	P	
120	16	14-3/8	8	13-1/4	7/16	
130	17-3/4	15-15/16	8	14-5/8	7/16	
150	19-1/4	17-1/2	8	16-1/8	7/16	
160	21-1/8	19-3/8	8	18	7/16	
180	23-1/2	21-1/2	12	20	7/16	
200	25-1/2	23-1/2	12	22	7/16	
220	28-1/8	26-1/8	12	24-5/8	7/16	
240	30-3/4	28-3/4	16	27	7/16	
270	33-3/4	31-5/8	16	30	7/16	
300	37-1/4	35-1/4	16	33-1/2	7/16	
330	40-3/8	38-3/4	16	36-3/4	1/2	
360	43-5/8	42	16	40	1/2	

		DISCHARGE									
	D	E	F	H	J	K	L	M	DD		
	9-3/8	13-3/8	17-11/16	2	7-27/32	2	5-11/16	8	13-3/4		
	10-3/8	14-3/8	19-3/16	2	8-19/32	2	6-3/16	8	15-1/4		
	11-3/8	15-3/8	20-3/4	3	6-1/4	2	6-11/16	10	16-13/16		
	12-1/2	16-1/2	22-7/16	3	6-13/16	2	7-1/4	10	18-7/16		
	13-7/8	17-7/8	24-1/2	3	7-1/2	2	7-15/16	10	20-3/8		
	15-1/4	19-1/4	26-3/8	3	8-1/8	3	5-3/4	12	22-3/8		
	16-7/8	20-15/16	28-7/8	4	6-23/32	3	6-5/16	14	24-7/8		
	18-9/16	22-5/8	31-3/8	4	7-11/32	3	6-7/8	14	27-3/8		
	20-7/16	24-1/2	34-1/8	4	8-1/32	3	7-1/2	14	30-1/16		
	22-3/4	26-3/4	37-5/8	5	7-1/8	3	8-1/4	16	33-9/16		
	24-7/8	28-7/8	40-7/8	7	5-9/16	5	5-3/8	24	36-3/4		
	27-1/4	31-1/4	44-1/4	7	6-1/32	5	5-27/32	24	40-1/4		

NOTE:

① NOT AVAILABLE ON ANY MODEL FOR DOWNBLAST, BOTTOM ANGULAR DOWN OR TOP ANGULAR DOWN DISCHARGE POSITIONS. DISCHARGE FLANGE IS STANDARD ON SIZES -270 THRU -360.