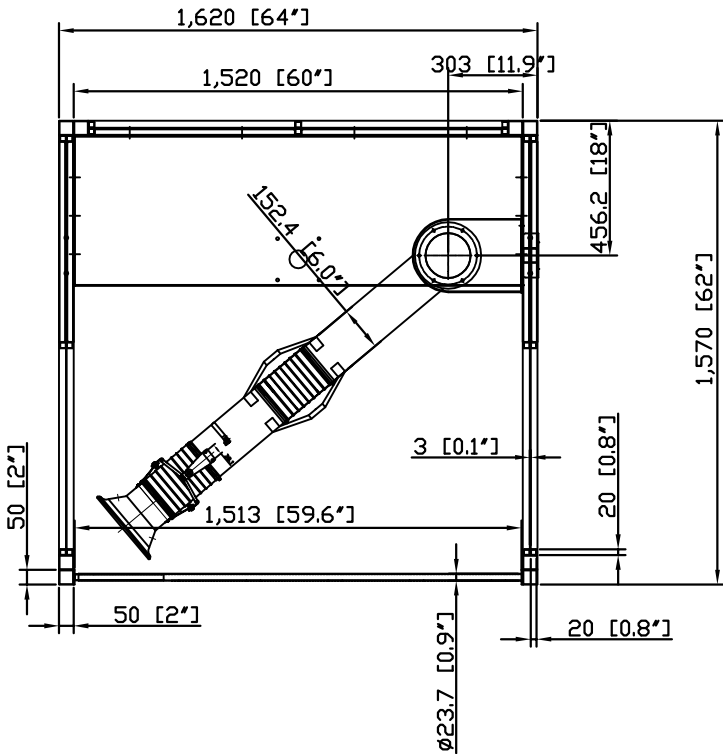


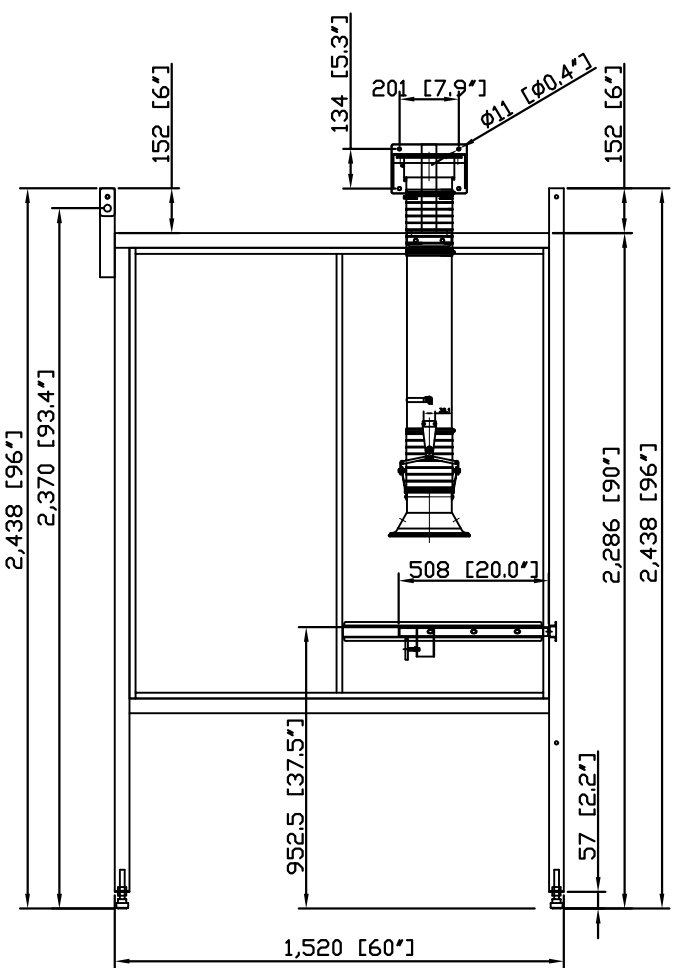
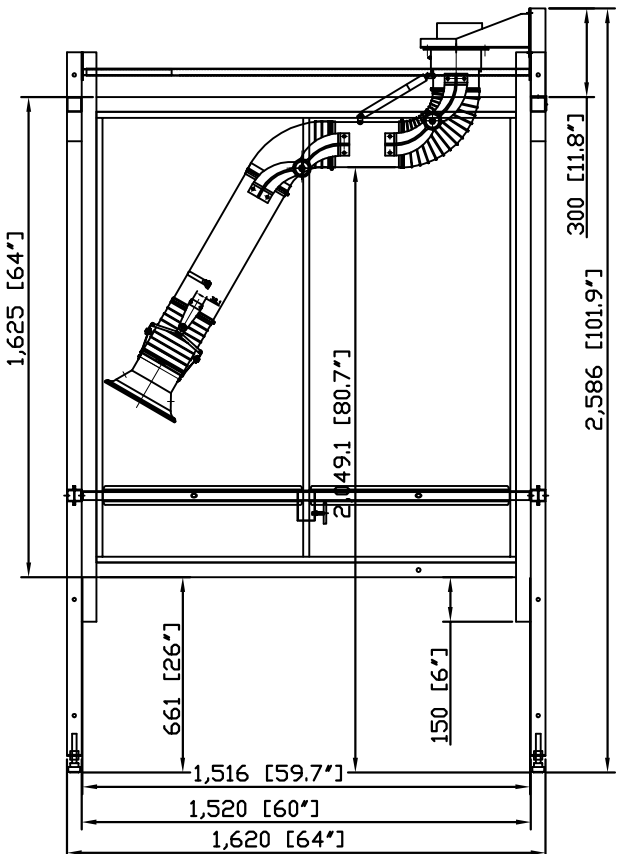


Revisions			
Rev	Description	Date	Approved



WB-1055 SIMPLE WELDING BOOTH SPECIFICATIONS

- Adjustable Level System: (4) 1.6" Feet
- Panel Construction: 11-gauge welded steel
- Welding Curtain Supports: (1) set welding curtain bar
- Fume Arm Supports & Brackets: (1) bracket (6 bolt pattern) to match optional dia. 6" fume arm
- Powder Coated: Oskar Safety Blue Standard (custom colors available)
- Three Piece Configuration: (2) side panels, (1) back panel.
- Booths can be mounted back-to-back, side-to-side or both options
- ***Adjustable Back Shelf: 60"W x 20"D x 1.1"H (solid with 2" hole drilled)



AVANI ENVIRONMENTAL, INC. Sales Department
 95 Cypress Drive
 Youngsville, NC 27596
 (919) 570-2862
 sales@oskarsales.com

Drawn by:	Date	Name	Part Number:
Checked by:	2010-12-16	***	***
The drawings, AutoCAD, 3-D Models, and specifications are the property of Avani Environmental Inc. (AE) and may not be reproduced, distributed, modified, or otherwise used, except provided herein, without the express written permission of AE.			

Title: Simple Booth WB-1055 for Delaware		
Size A	Scale 1 = 25	Drawing Number: WB-5x5S