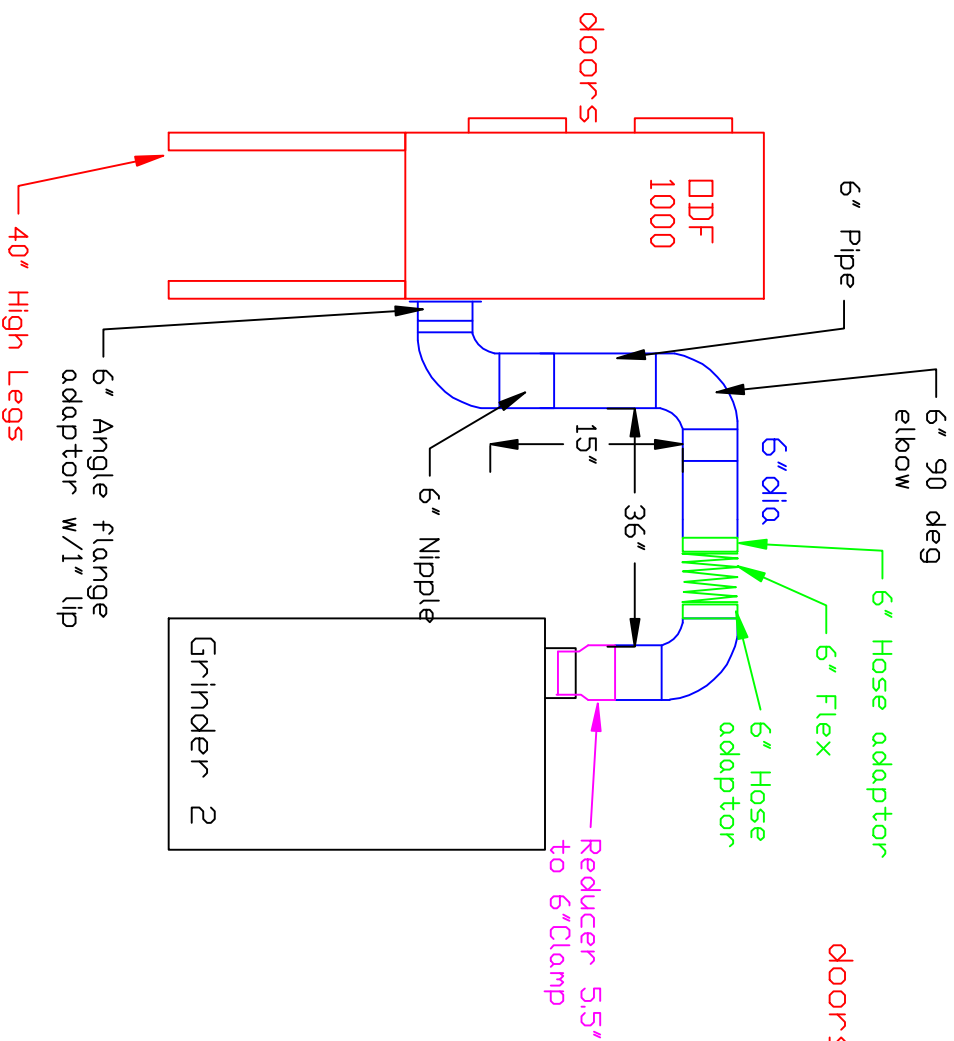
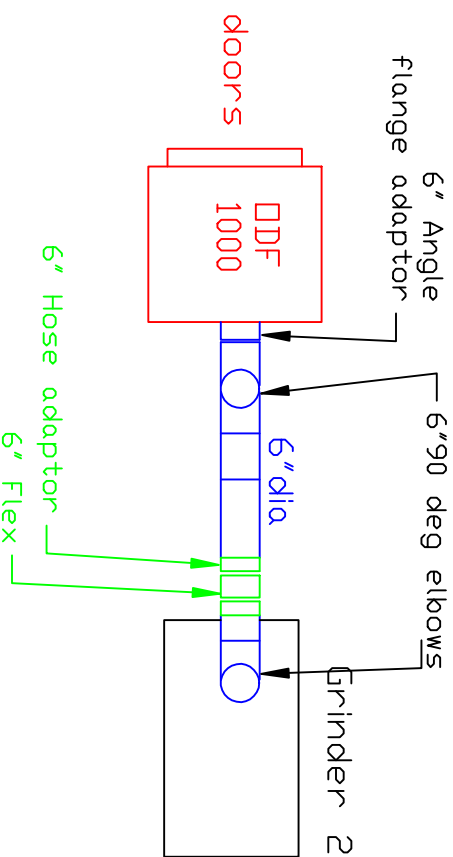


DDF 1000 Ductwork Layout for Grinder #2

Side View



Plan View



Note:
 A) P-Trap to be provided
 by Whirlpool.

Industrial Air Quality
102 AG DRIVE
Toungesville, NC 27596
PH 919-562-7181 F# 919-562-7182
Project: Whirlpool
IAQ
Drawing: Grinder 2 layout
Date: 4/16/10 Drawn by: RAV
Sheet No: