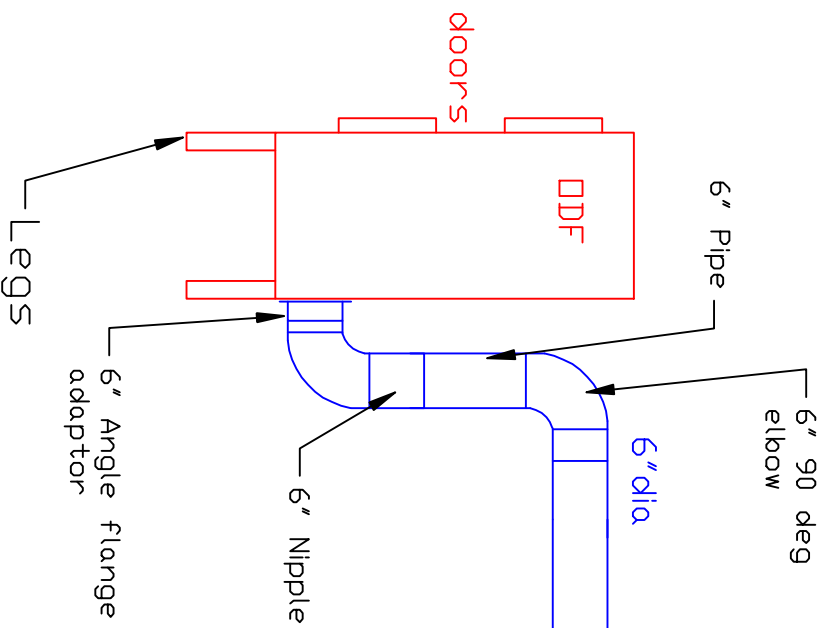
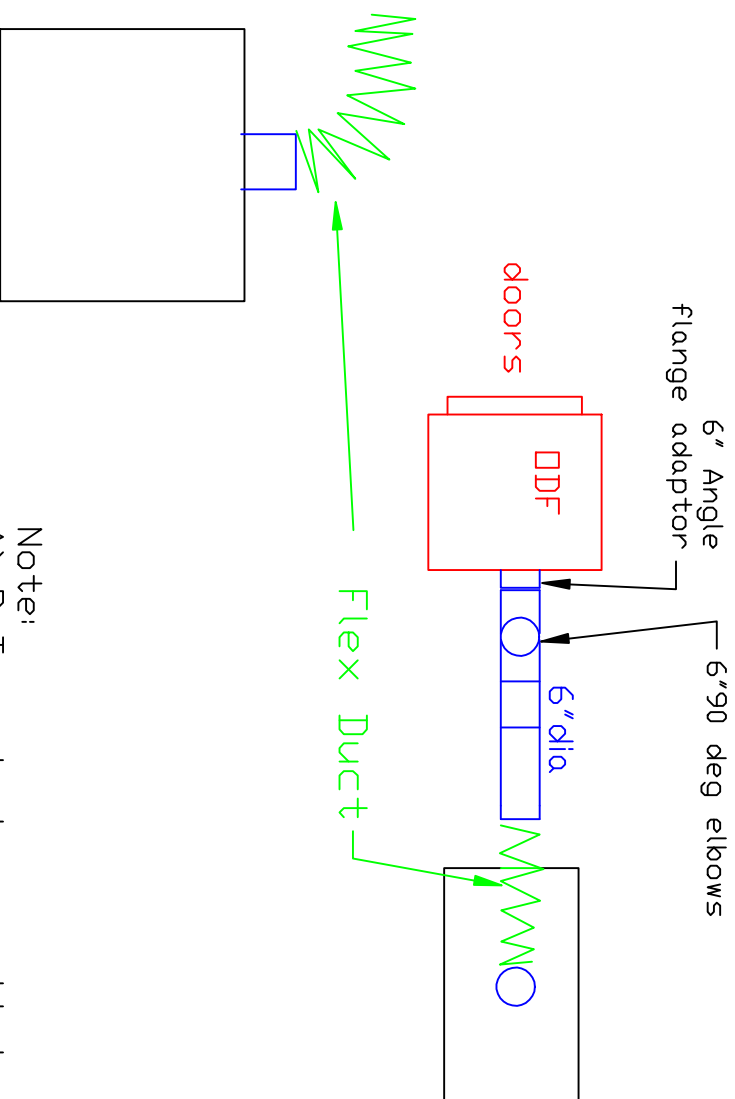


Absolent Ductwork Layout

Side View



Plan View



Note:
 A) P-Trap to be provided
 by Whirlpool.

Avani Environmental 102 AG DRIVE Raleigh, NC 27596 Ph: 919-562-7181 F: 919-562-7182	
Project: Whirlpool	
Drawing: Absolent	
Date: 12/21/10 Drawn by: RAV	
Sheet No:	