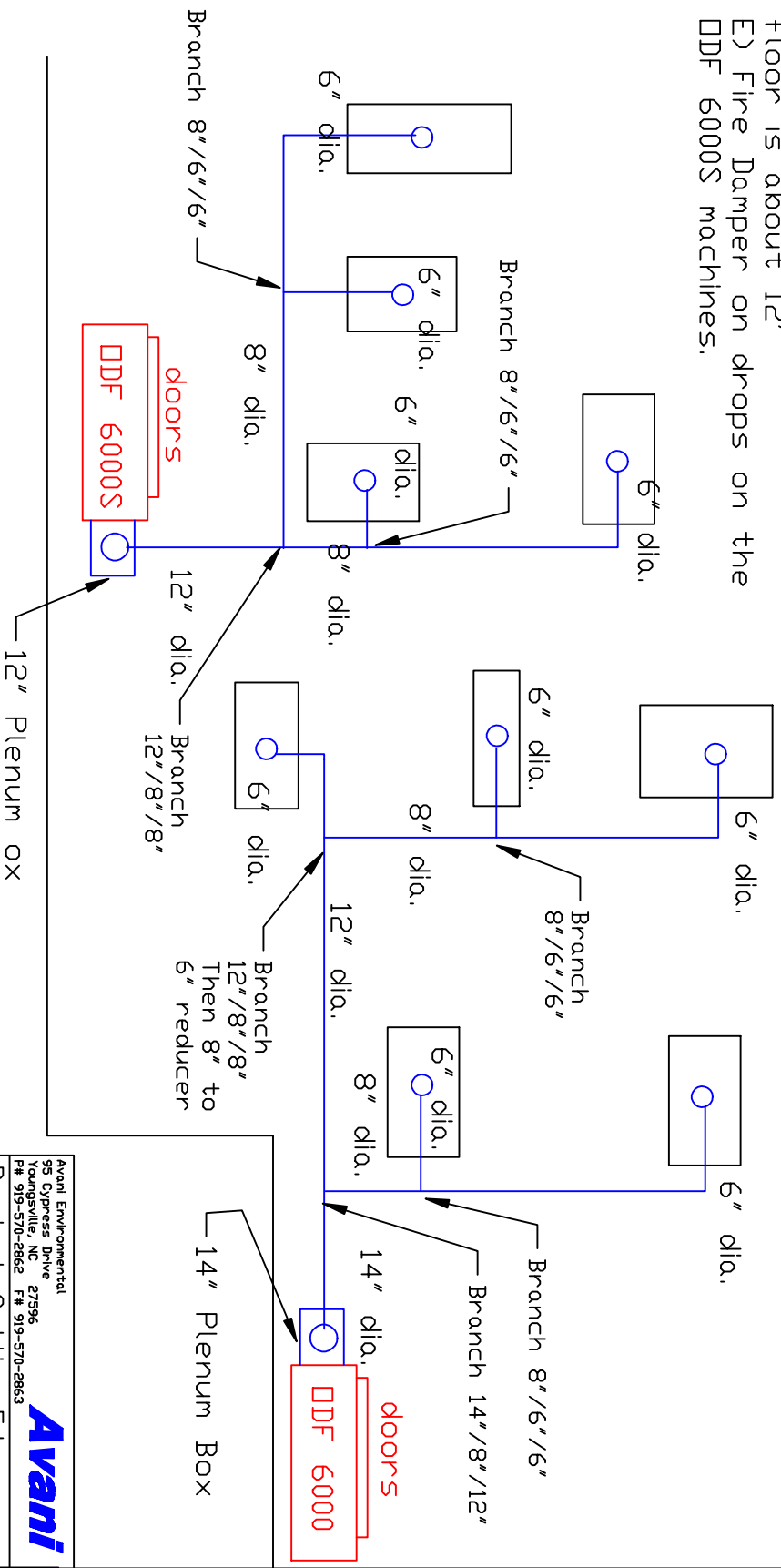


Absolent Ductwork Layout for DDF 6000

Plan View

- Notes:
- A) DDF 6000 - 3600 CFM
 - B) DDF 6000S - 2700 CFM
 - C) 3 motors in each DDF and each motor is 3HP 460volt.
 - D) Bottom of ductwork off of floor is about 12'
 - E) Fire Damper on drops on the DDF 6000S machines.



Avanti Environmental
 35 Cypress Drive 27596
 Greensboro, NC 27409
 PH 919-570-2862 FX 919-570-2863
Avanti
 Project: Cutting Edge
 Drawing: Ductwork Layout
 Date: 9/13/11 Drawn by: RAV
 Sheet No: