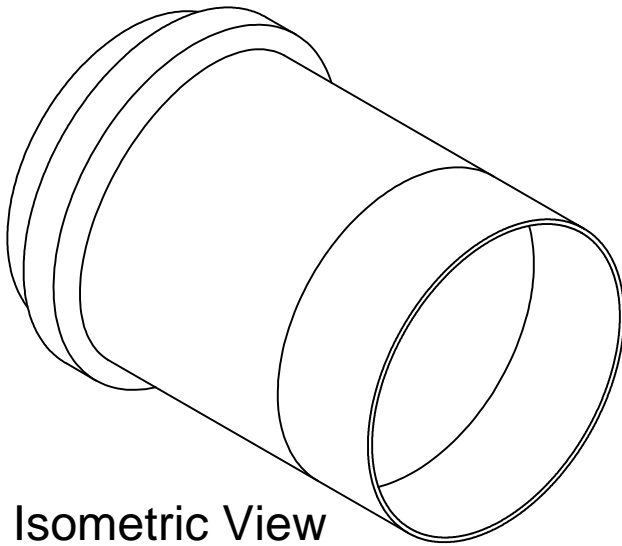


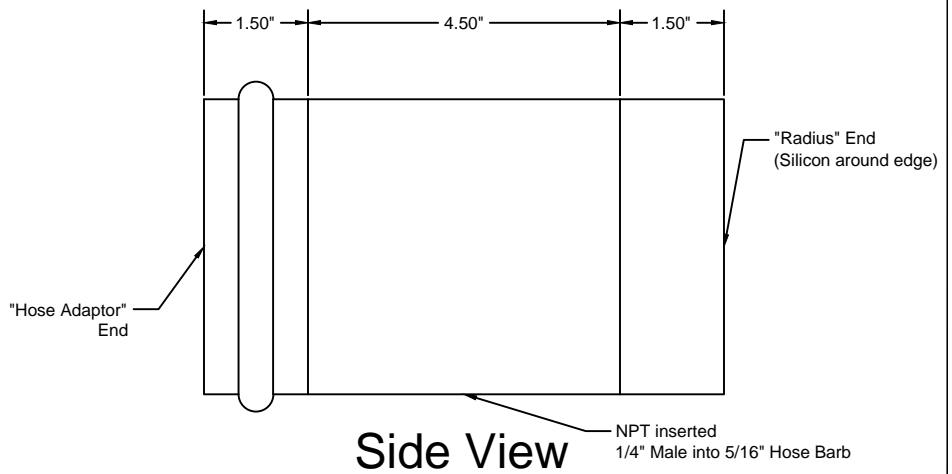
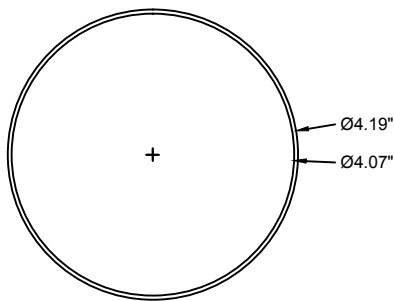
Curtis Niagra - SO19198

Drain for Machine Connections



Notes:

1. Connect "Hose Adaptor" to 4" Flex.
2. Connect "Radius" end to 90° square radius. Silicone over edge on radius.
3. NPT to fit on bottom of tubing, will use to remove coolant.
4. Material is 16 GA Galvanized Steel.



Avani Environmental Intl. 95 Cypress Drive Youngsville, NC 27596 P# 919-570-2862 F# 919-570-2863		Avani
Project: Curtis Niagra SO#19198		
Drawing: Drain for Machine Connections		
Date: 11/20/12	Drawn by:MDT	
Sheet No: 1 Of 1	Rev.: 0	