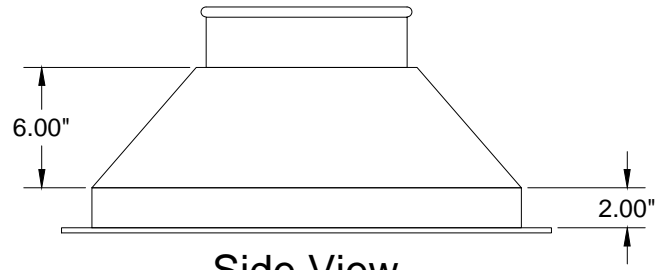
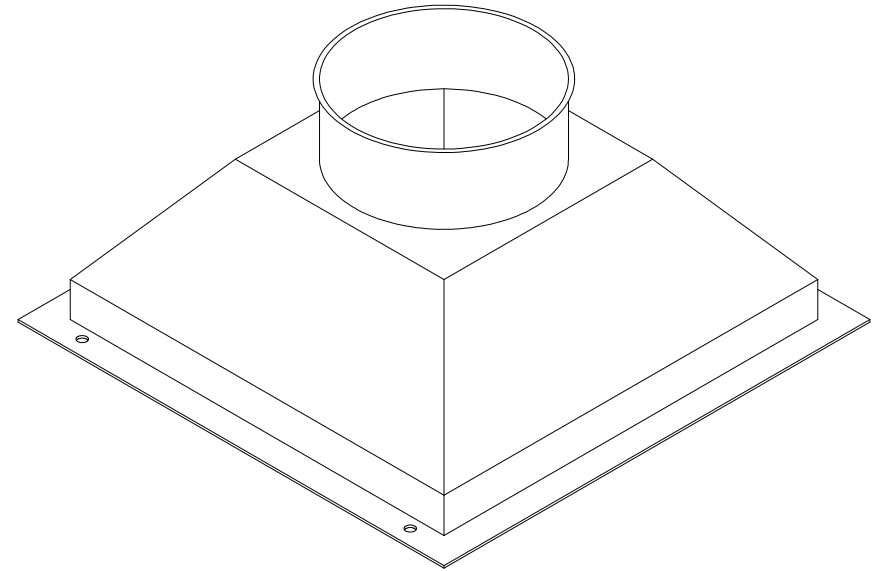


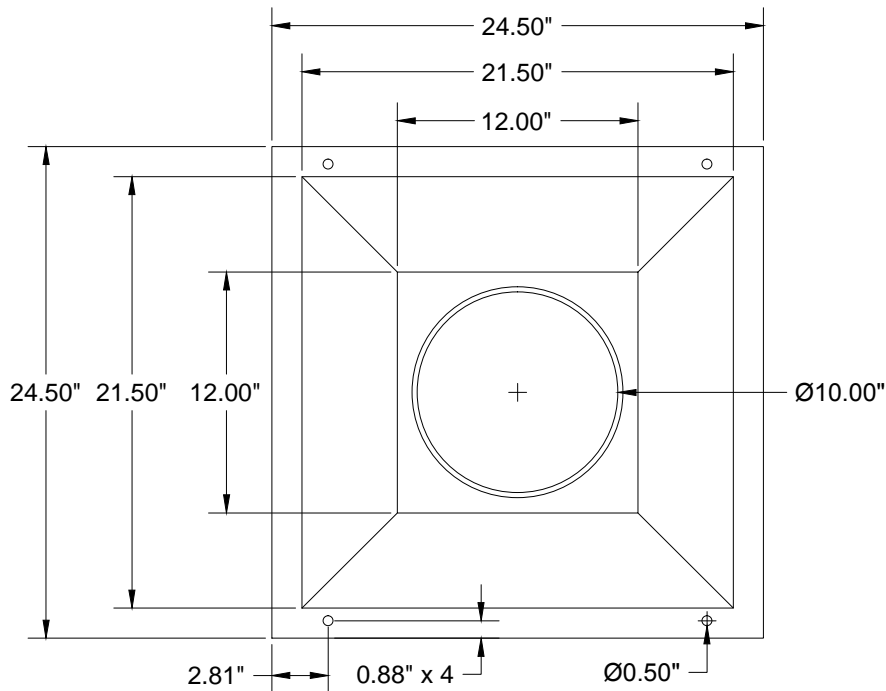
A-Mist 60 Hood



Side View



Isometric View



Top View

Avani Environmental Intl. Inc.
 95 Cypress Drive
 Youngsville, NC 27596
 P# 919-488-2862 F# 919-488-2863

Avani

Project: Cummins SO21627

Drawing: A-Mist 60 Duct Layout

Date: 10/15/14

Drawn by: MDT

Sheet No: 1 OF 1

Rev: 0