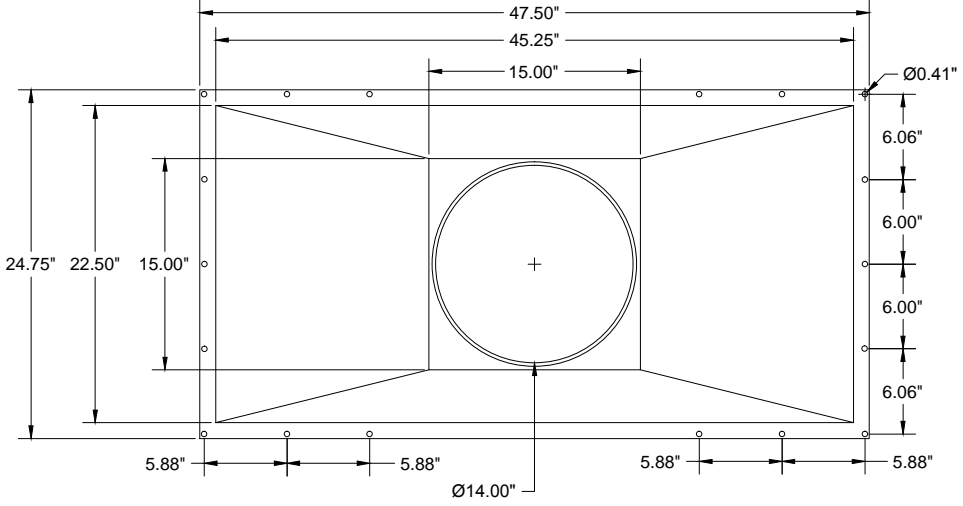
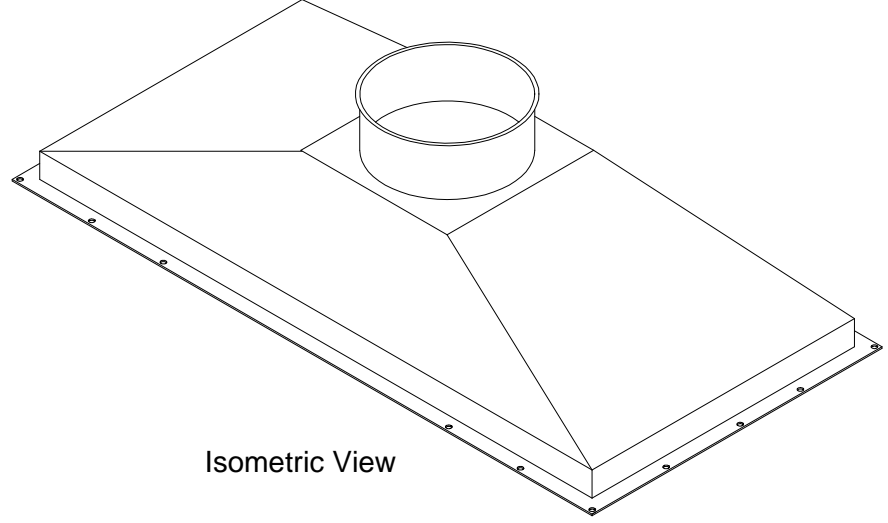


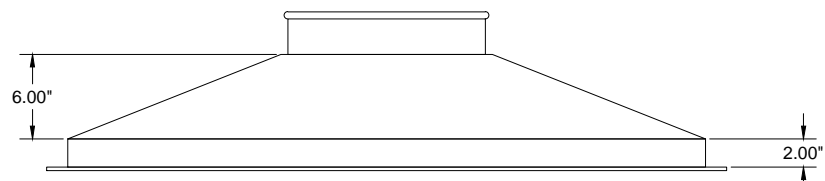
# A-Mist 40 Hood



Top View



Isometric View



Side View

Avani Environmental Int. Inc. 95 Cypress Drive Youngsville, NC 27596 P# 919-488-2862 F# 919-488-2863		<h1>Avani</h1>
<b>Project: Cummins SO21627</b>		
<b>Drawing: A-Mist 40 Duct Layout</b>		
<b>Date: 11/4/14</b>	<b>Drawn by: MDT</b>	
<b>Sheet No: 1 OF 1</b>	<b>Rev: 0</b>	