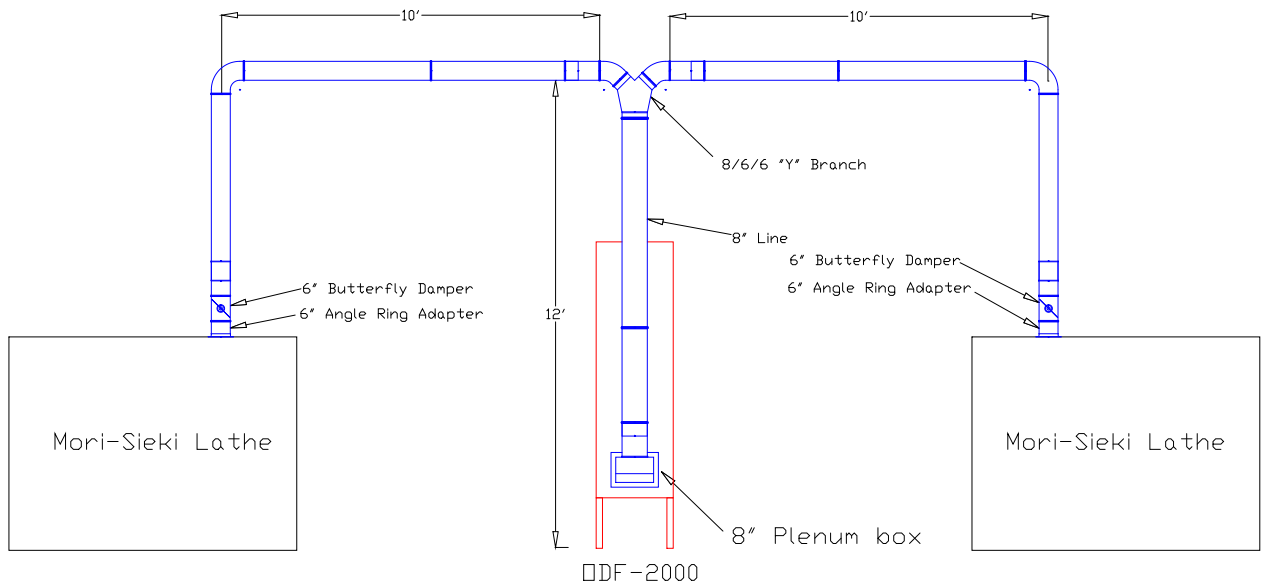


Cummins Diesel - Duct Layout - Elevation View



View From Rear of Absolent

Notes:

- A) Each drop will have a Butterfly damper for airflow adjustment.
- B) DDF 2000 has a 3.5HP 460volt 3Phase motors. Full load amps are 4.6amps.
- D) Drain line: P-Trap made of 2" PVC with union end ball valve.

Industrial Air Quality IAQ	
95 Cypress Drive Youngsville, NC 27596	
P# 919-562-7181 F# 919-562-7182	
Project: Cummins Diesel	
Drawing: Elevation View	
Date: 6/7/08	Drawn by: WWB
Sheet No: 1 of 2	Rev.: 0