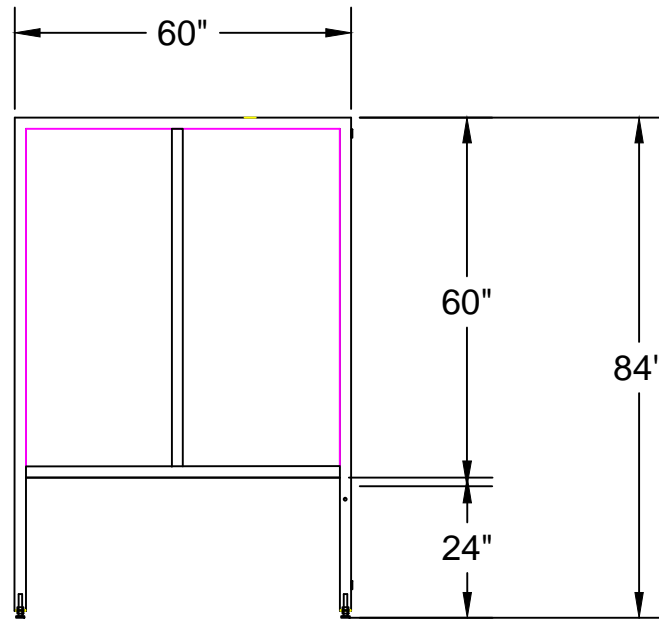
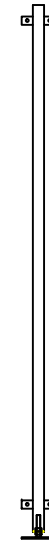


Top View



Side View



Front View

PRELIMINARY

This product has not been tested for seismic calculations.

WB-WMP-1055 WELDING BOOTH PANEL SPECIFICATIONS

- Adjustable Level System: Adjustable Feet
- 1.5" tubular steel framework: 16ga
- Panel Steel: 18ga
- Panel Mounts With Total Of 8 Fasteners: 4 To wall 4 To Floor

Avani Environmental Intl. Inc.
95 Cypress Drive
Youngsville, NC 27596
P# 919-570-2862 F# 919-570-2863

Avani

Project: Corgan Associates/LEISD

Drawing: WB-WMP-1055

Date: 4/2/15

Drawn by: DJT

Sheet No:

Rev 0