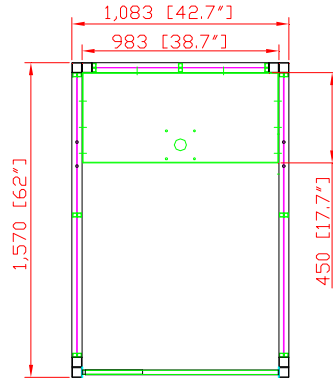


North Hardin School
po# 4682

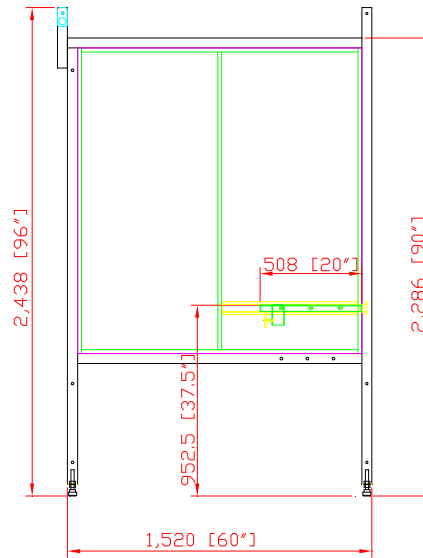
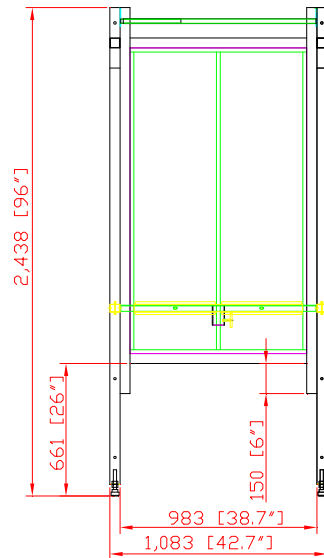
WB-1055 CUSTOM WELDING BOOTH SPECIFICATIONS



- Adjustable Level System: (4) dia. 2.36" Feet
- Panel Construction: 11-gauge welded steel
- Welding Curtain Supports: (1) set welding curtain bar
- Powder Coated: Avani Safety Blue Standard (custom colors available)
- Three Piece Configuration: (2) side panels, (1) back panel.
- Booths can be mounted back-to-back, side-by-side or both options
- ***Unadjustable Fixed Rear Shelf: 38.7"W x 20"D x 1.1"H (solid with 2" hole drilled)

OPTIONS

- Welded Nuts: Optional locations for J-Hooks
- Welding Nuts: For wire feeder or welder bracket



AVANI ENVIRONMENTAL INTL. INC. Sales Department
95 Cypress Drive (919) 570-2862
Youngsville, NC 27596 info@avanienvironmental.com

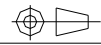
Date	Name	Part Number:	Title:
2012-06-07	***	***	Custom Booth WB-1055
Checked by:			

The drawings, AutoCAD, 3-D Models, and specifications are the property of Avani Environmental Intl. Inc. (AE) and may not be reproduced, distributed, modified, or otherwise used, except provided herein, without the express written permission of AE.

Size	Scale	Drawing Number:
A	1 = 25	WB-3x5S

DO NOT SCALE

IF IN DOUBT ASK

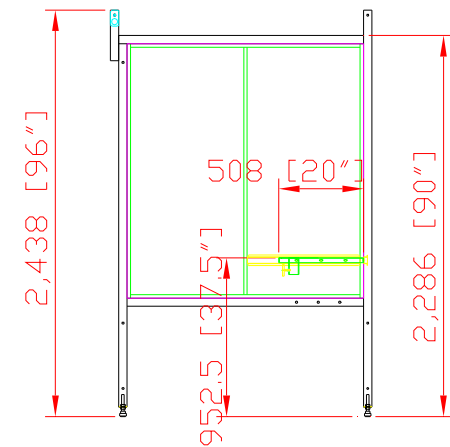
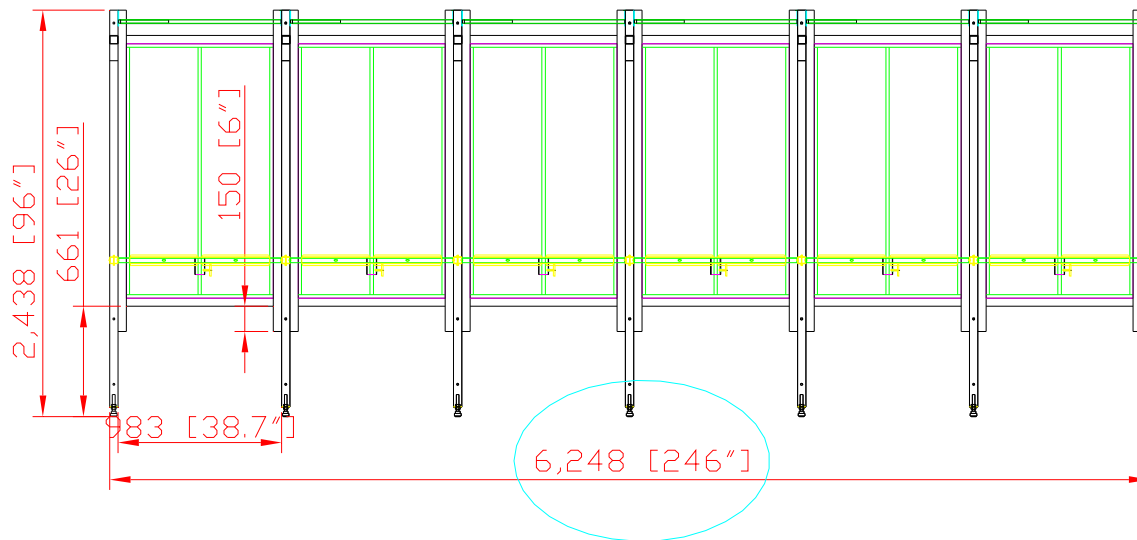
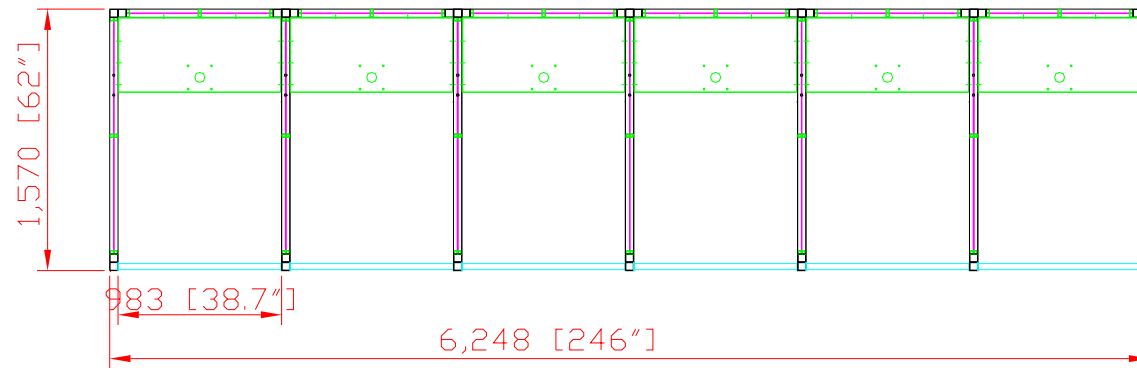


Revisions			
Rev	Description	Date	Approved

(6) custom WB-1055 side-by-side

North Hardin School

po# 4682



PO# 4682 item ordered:
- custom WB-1055 (6)

AVANI ENVIRONMENTAL INTL. INC. Sales Department 95 Cypress Drive (919) 570-2862 Youngsville, NC 27596 info@avanienvironmental.com	Date	Name	Part Number:	Title:	
	Drawn by:	2012-06-07	***	custom	North Hardin School
	Checked by:			WB-1055 (6)	
The drawings, AutoCAD, 3-D Models, and specifications are the property of Avani Environmental Intl. Inc. (AE) and may not be reproduced, distributed, modified, or otherwise used, except provided herein, without the express written permission of AE.				Size	Drawing Number:
				A	***
				Scale	
				1 = 35	