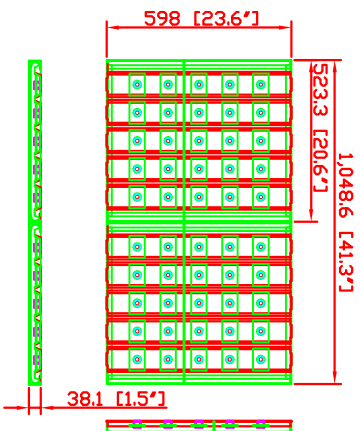
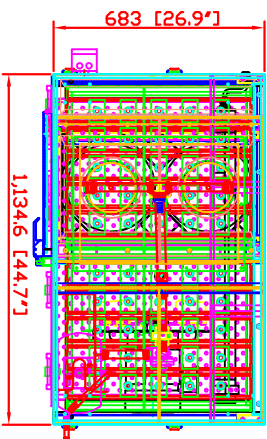
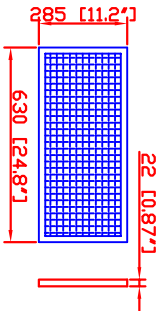
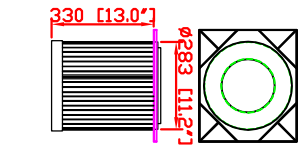


DO NOT SCALE

IF IN DOUBT ASK



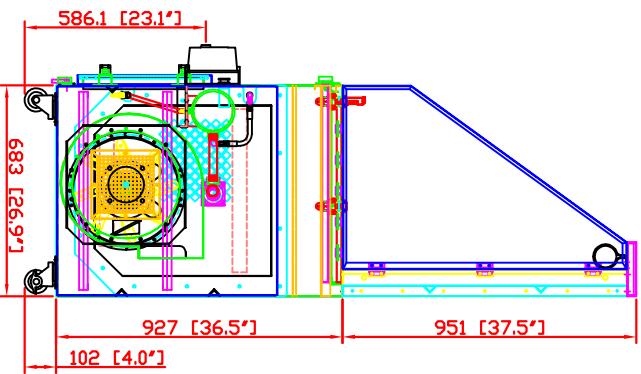
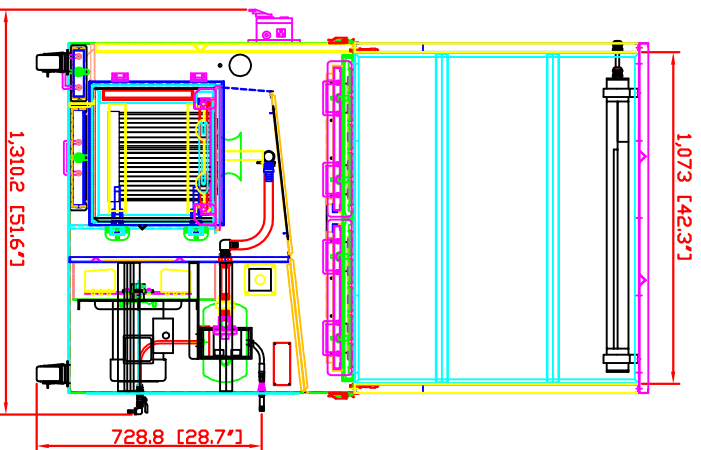
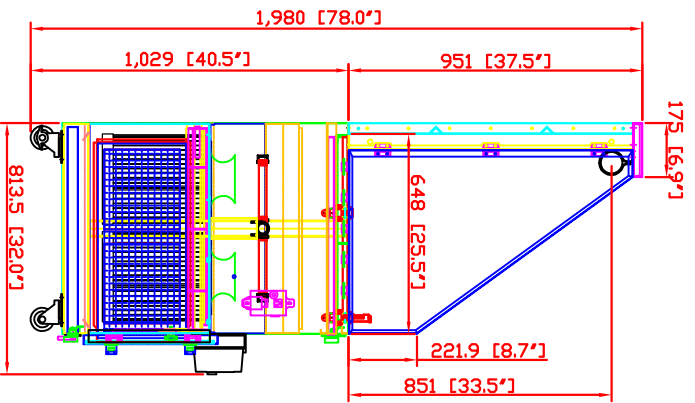
Revisions		
Rev	Description	Date



- SDT-2 2HP w/ Pulse Jet System SPECIFICATION -**
- Motor: 2HP x 1 pc
  - \*\*NEMA Motor
  - \*\*Aluminum Impeller
  - Electric Spec: 120V / 60Hz / 1Ph
  - Airflow: 1200 CFM (2037.6 m3/hr)

**Filtration Stages:**

1. aluminum mesh x 1pc
  - spec: 630 x 285 x 22mm (24.8" x 11.2" x 0.87")
2. Cartridge Filter: DIA. 283 x 330mm L x 2pcs
  - spec: dia. 283 x 330mm L (11.2" x 13" L)
  - filtering area: 5m<sup>2</sup> x 2 = 10m<sup>2</sup> (107.6 ft<sup>2</sup>)
  - material: Polyester with TEFLON treatment & coating.



- Dimension: 51.6" x 32" x 78"
- Construction: 14 Gauge
- Max. Operating Temp.: 120°C
- Paint Color: powder coated Blue
- UL control box
- gauge
- fully assembled
- paint color: powder coated Blue
- self cleaning - reverse jet pulse
- \*\*Electrical Outlets: (2) 110V Outlets @ (1) Switch
- \*\*Light Switch: (1) For overhead lights
- \*\*Overhead Lights: (1) Explosion Proof Lights (110V, Single Phase, 60 Hz, 20W, non-recessed)
- \*\*\*100% downdraft
- \*\*\*Full grated table top with dia. 16mm fixture holes drilled
- \*\*\*casters underneath the machine

AVANI ENVIRONMENTAL INTL. INC. Sales Department  
 95 Cypress Drive  
 Youngsville, NC 27596

(919) 570-2862  
 info@avanienvironmental.com

Date	Name	Part Number:
Drawn by: 2011-12-30	***	(NEMA)
Checked by: 2015-01-21		

Title:	Scale	Drawing Number:
SDT-2 Welding Table with Filtration 2HP	B 1 = 20	REVISION AA