



REPRESENTED BY:

TODD AIR SOLUTIONS  
101 E FISHER ST, 3rd FLOOR  
SALISBURY NC 28144  
Phone: 704 630-1101  
Fax: 704 630-0528

DRAWING SUBMITTAL

CUSTOMER:

AVANI ENVIRONMENTAL  
PO BOX 1279  
YOUNGSVILLE, NC 27596

DATE: 5/23/2011

ATTENTION: Mr. Ken Haga

P.O. # 3165

CFV # 1106036

REPRESENTATIVE ORDER # CFQ# 185378

  x   REFERENCE             APPROVAL             CORRECTION

DRAWING NO.	DESCRIPTION
- - - -	SPECIFICATION SHEET
1106036	MODEL: HDBI-220
27205	INLET FLANGE
27211-01	DISCHARGE FLANGE

REMARKS: 2D AUTOCAD DRAWING INCLUDED.

**SPECIFICATION SHEET**

CFV NO. <b>1106036</b>	CUSTOMER ID NUMBER <b>3566220</b>	PAGE <b>1</b>	
S O L D	AVANI ENVIRONMENTAL PO BOX 1279 YOUNGSVILLE, NC 27596	S H I P	CLASS ONE EQUIPMENT 5302 SNAPPINGER WOODS DR. ATTN: ALEX EXCARCOS DECATUR, GA 30035
T O		T O	
CUSTOMER P.O. NUMBER <b>3165</b>		BUYER <b>MR. KEN HAGA</b>	SCHEDULED SHIP DATE <b>6/08/11</b>

MARKS  
**3165**

SHIP VIA <b>Averitt/Con-way/R&amp;L</b>			REPRESENTATIVE <b>TODD AIR SOLUTIONS</b>			REP. ORDER NO. <b>CFQ# 185378</b>			SHIPPING CHARGES <b>Prepaid &amp; Add</b>		
QTY. <b>1</b>	DESCRIPTION <b>HEAVY DUTY BI BLOWER</b>				MODEL <b>HDBI-220</b>	ROT <b>CW</b>	DISCH <b>UB</b>	ARR <b>4</b>	WHEEL/PROP <b>SQBI 65%</b>	INLET	
MOTOR DATA	HP <b>7-1/2</b>	RPM <b>1750</b>	PH <b>3</b>	CYCLE <b>60</b>	VOLTAGE <b>SEE BELOW</b>	FRAME <b>213T</b>	ENCLOSURE <b>TEFC</b>	SUPPLIED BY <b>CFV</b>	INSTALLED BY <b>CFV</b>		
	CFV MOTOR PART NUMBER <b>375248S</b>								GROOVES	FXD/ADJ	BELT
FAN DATA	DENSITY <b>.075</b>	TEMP. <b>70°F</b>	ALTITUDE	CFM <b>4800</b>	SP <b>6.000</b>	RPM <b>1750</b>	BHP <b>6.640</b>	MOTOR SHEAVE		BUSHING	
AT OPERATING CONDITIONS											
MOTOR VENDOR MODEL NUMBER <b>1LE21212AB114AA3</b>								FAN SHEAVE		BUSHING	

Record Print, 2D CAD Drawings

**Complete Motor Description:**

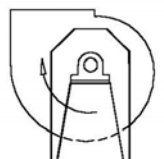
MTR,7-1/2 HP,1425/1750 RPM,3PH,50/60Hz,200/400/50 & 208-230/460/60,TEFC,Prem Eff, FM,213T,1.15 SF,F Insul.,40C Amb.,Sealed Bearings,F1 Box,Alum. Frame, CE, 1.00 SF @ 50 HZ., GP100A SERIES, NOT PREM. EFF. ON 50 HZ., ALTERNATE #1LE211 12AB114AA3,Siemens

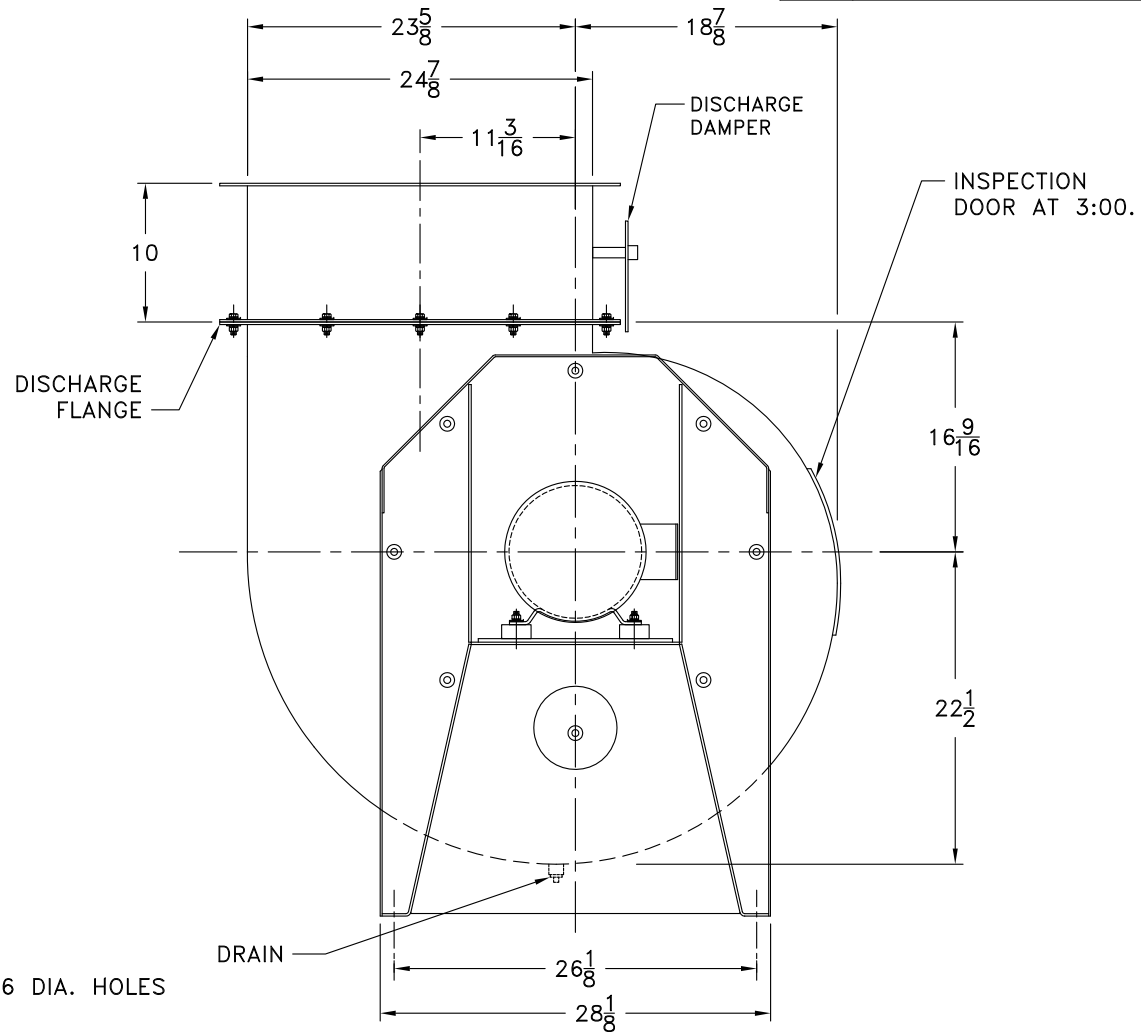
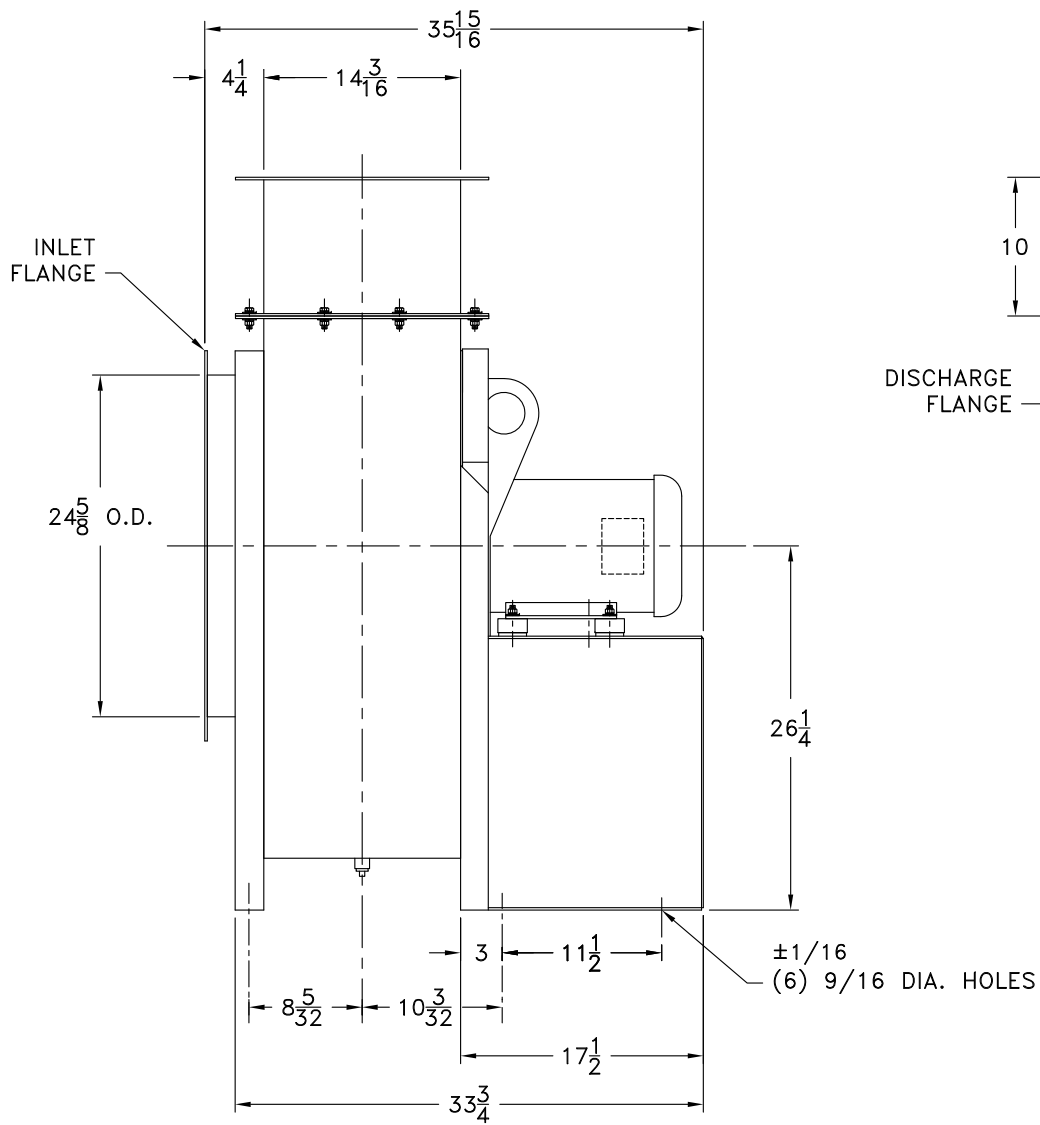
Maximum allowable wheel speed at 70°F is 2115 RPM

- CLASS II WHEEL CONSTRUCTION
- MANUAL CONTROLLED OPPOSED BLADE DISCHARGE DAMPER
- Special color enamel paint
- DRILL DISCHARGE FLANGE STANDARD
- DRILL INLET FLANGE STANDARD BOLT CIRCLE ON-CENTERS
- QUICK OPEN INSPECTION DOOR AT 3 O'CLOCK
- DRAIN
- TEFLON SHAFT SEAL

Estimated Shipping Weight: 754 pounds

Submittal Email: [khaga@avanienvironmental.com](mailto:khaga@avanienvironmental.com)

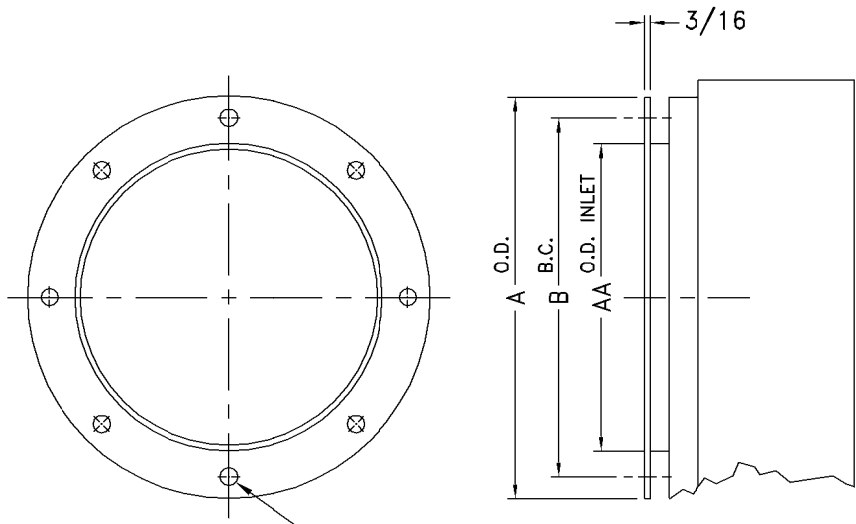




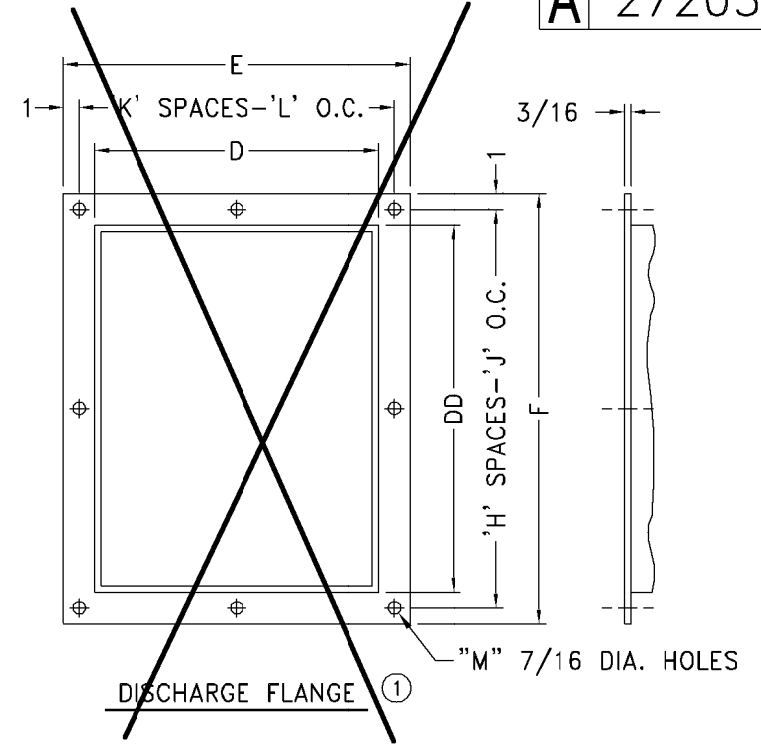
CW UP BLAST DISCHARGE SHOWN

- NOTES:
1. MOTOR: 7 1/2 HP, 1750 RPM, 213T FRAME, TEFC.
  2. SEE DRAWING 27205 FOR INLET FLANGE.
  3. SEE DRAWING 27211-01 FOR DISCHARGE FLANGE.
  4. CLASS II WHEEL CONSTRUCTION.
  5. TEFLON SHAFT SEAL.

				SUPERSEDES:		TOLERANCES: FRACTIONS ± 1/8 ANGLES: ± 1° DECIMALS: X.XXX = ±0.005 X.XX = ±0.060 X.X = ±0.120		SCALE: FULL IN CAD		<b>cincinnati fan</b> 7697 SNIDER ROAD MASON, OHIO 45040	
				SIMILAR TO:		ALL DIMENSIONS IN INCHES UNLESS OTHERWISE SPECIFIED		DATE: 5/23/11			
								DR. BY: JH			
								CHK. BY:			
NO.	DESCRIPTION	DATE	INITIALS	CERTIFIED		MATERIAL:		ASSEMBLY		DRAWING NO. <b>A</b> 1106036	
REVISIONS										SHEET 1 of 1 REV.	



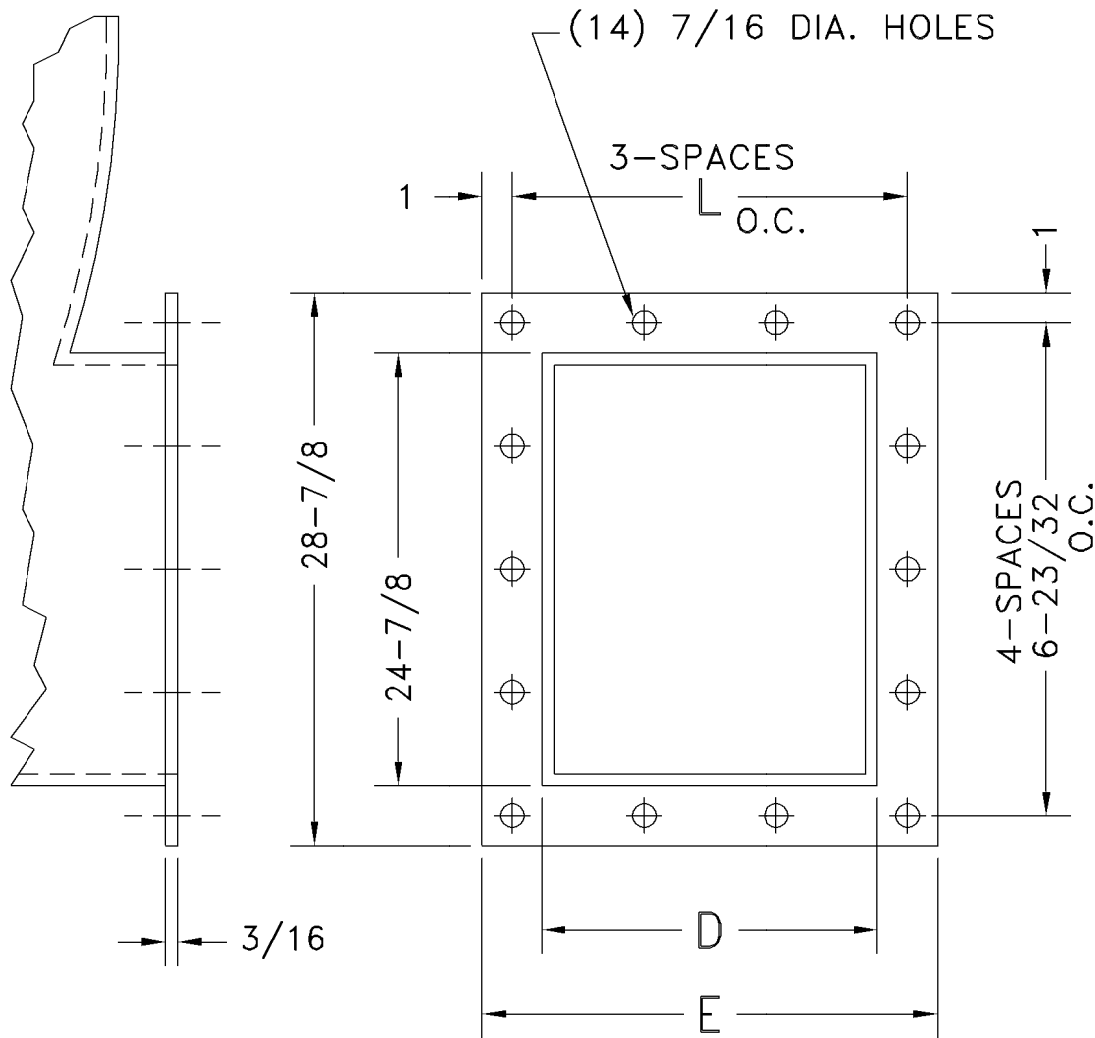
**INLET FLANGE**  
 "N" HOLES, "P" DIA.



**DISCHARGE FLANGE** ①  
 "M" 7/16 DIA. HOLES

SIZE	INLET					DISCHARGE								
	A O.D.	B B.C.	N	AA DIA.	P	D	E	F	H	J	K	L	M	DD
120	16	14-3/8	8	13-1/4	7/16	9-3/8	13-3/8	17-11/16	2	7-27/32	2	5-11/16	8	13-3/4
130	17-3/4	15-15/16	8	14-5/8	7/16	10-3/8	14-3/8	19-3/16	2	8-19/32	2	6-3/16	8	15-1/4
150	19-1/4	17-1/2	8	16-1/8	7/16	11-3/8	15-3/8	20-3/4	3	6-1/4	2	6-11/16	10	16-13/16
160	21-1/8	19-3/8	8	18	7/16	12-1/2	16-1/2	22-7/16	3	6-13/16	2	7-1/4	10	18-7/16
180	23-1/2	21-1/2	12	20	7/16	13-7/8	17-7/8	24-1/2	3	7-1/2	2	7-15/16	10	20-3/8
200	25-1/2	23-1/2	12	22	7/16	15-1/4	19-1/4	26-3/8	3	8-1/8	3	5-3/4	12	22-3/8
<del>220</del>	<del>28-1/8</del>	<del>26-1/8</del>	<del>12</del>	<del>24-5/8</del>	<del>7/16</del>	<del>16-7/8</del>	<del>20-15/16</del>	<del>28-7/8</del>	<del>4</del>	<del>6-23/32</del>	<del>3</del>	<del>6-5/16</del>	<del>14</del>	<del>24-7/8</del>
240	30-3/4	28-3/4	16	27	7/16	18-9/16	22-5/8	31-3/8	4	7-11/32	3	6-7/8	14	27-3/8
270	33-3/4	31-5/8	16	30	7/16	20-7/16	24-1/2	34-1/8	4	8-1/32	3	7-1/2	14	30-1/16
300	37-1/4	35-1/4	16	33-1/2	7/16	22-3/4	26-3/4	37-5/8	5	7-1/8	3	8-1/4	16	33-9/16
330	40-3/8	38-3/4	16	36-3/4	1/2	24-7/8	28-7/8	40-7/8	7	5-9/16	5	5-3/8	24	36-3/4
360	43-5/8	42	16	40	1/2	27-1/4	31-1/4	44-1/4	7	6-1/32	5	5-27/32	24	40-1/4

NOTE:  
 ① NOT AVAILABLE ON ANY MODEL FOR DOWNBLAST, BOTTOM ANGULAR DOWN OR TOP ANGULAR DOWN DISCHARGE POSITIONS.  
 DISCHARGE FLANGE IS STANDARD ON SIZES -270 THRU -360.



% WIDTH	D	E	L
105	17-5/16	21-5/16	6-7/16
100	16-7/8	20-15/16	6-5/16
95	16-1/2	20-9/16	6-3/16
90	16-1/8	20-3/16	6-1/16
85	15-3/4	19-13/16	5-15/16
80	15-5/16	19-3/8	5-25/32
75	14-15/16	19	5-21/32
70	14-9/16	18-5/8	5-17/32
<del>65</del>	14-3/16	18-1/4	5-13/32
60	13-3/4	17-13/16	5-9/32
55	13-3/8	17-7/16	5-5/32
50	13	17-1/16	5-1/32
45	12-5/8	16-5/8	4-7/8
40	12-1/4	16-1/4	4-3/4