



REPRESENTED BY:

TODD AIR SOLUTIONS
101 E FISHER ST, 3rd FLOOR
SALISBURY NC 28144
Phone: 704 630-1101
Fax: 704 630-0528

DRAWING SUBMITTAL

CUSTOMER:

AVANI ENVIRONMENTAL
PO BOX 1279
YOUNGSVILLE, NC 27596

DATE: 5/23/2011

ATTENTION: Mr. Ken Haga
P.O. # 3165
CFV # 1106036
REPRESENTATIVE ORDER # CFQ# 185378

 x REFERENCE APPROVAL CORRECTION

DRAWING NO.	DESCRIPTION
- - - -	SPECIFICATION SHEET
1106036	MODEL: HDBI-220
27205	INLET FLANGE
27211-01	DISCHARGE FLANGE

REMARKS: 2D AUTOCAD DRAWING INCLUDED.

SPECIFICATION SHEET

CFV NO. 1106036	CUSTOMER ID NUMBER 3566220	PAGE 1	
S O L D T O	AVANI ENVIRONMENTAL PO BOX 1279 YOUNGSVILLE, NC 27596		S H I P T O CLASS ONE EQUIPMENT 5302 SNAPPINGER WOODS DR. ATTN: ALEX EXCARCOS DECATUR, GA 30035
CUSTOMER P.O. NUMBER 3165		BUYER MR. KEN HAGA	SCHEDULED SHIP DATE 6/08/11

MARKS
3165

SHIP VIA Averitt/Con-way/R&L		REPRESENTATIVE TODD AIR SOLUTIONS			REP. ORDER NO. CFQ# 185378		SHIPPING CHARGES Prepaid & Add		
QTY. 1	DESCRIPTION HEAVY DUTY BI BLOWER			MODEL HDBI-220	ROT CW	DISCH UB	ARR 4	WHEEL/PROP SQBI 65%	INLET
MOTOR DATA	HP 7-1/2	RPM 1750	PH 3	CYCLE 60	VOLTAGE SEE BELOW	FRAME 213T	ENCLOSURE TEFC	SUPPLIED BY CFV	INSTALLED BY CFV
	CFV MOTOR PART NUMBER 375248S							GROOVES	FXD/ADJ
FAN DATA	DENSITY .075	TEMP. 70°F	ALTITUDE	CFM 4800	SP 6.000	RPM 1750	BHP 6.640	MOTOR SHEAVE BUSHING	
AT OPERATING CONDITIONS									FAN SHEAVE BUSHING
MOTOR VENDOR MODEL NUMBER 1LE21212AB114AA3									

Record Print, 2D CAD Drawings

Complete Motor Description:

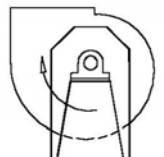
MTR,7-1/2 HP,1425/1750 RPM,3PH,50/60Hz,200/400/50 & 208-230/460/60,TEFC,Prem Eff, FM,213T,1.15 SF,F Insul.,40C Amb.,Sealed Bearings,F1 Box,Alum. Frame, CE, 1.00 SF @ 50 HZ., GP100A SERIES, NOT PREM. EFF. ON 50 HZ., ALTERNATE #1LE211 12AB114AA3,Siemens

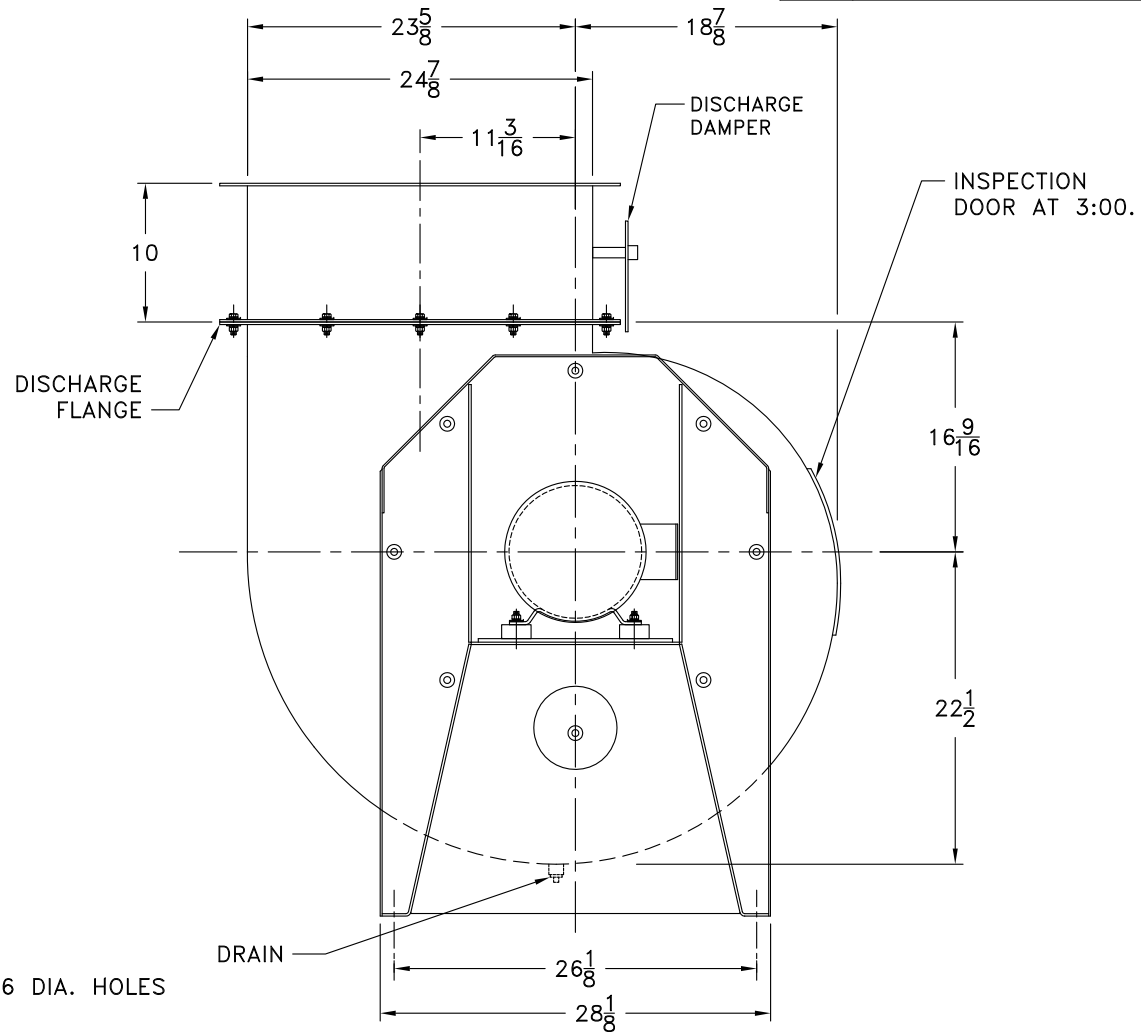
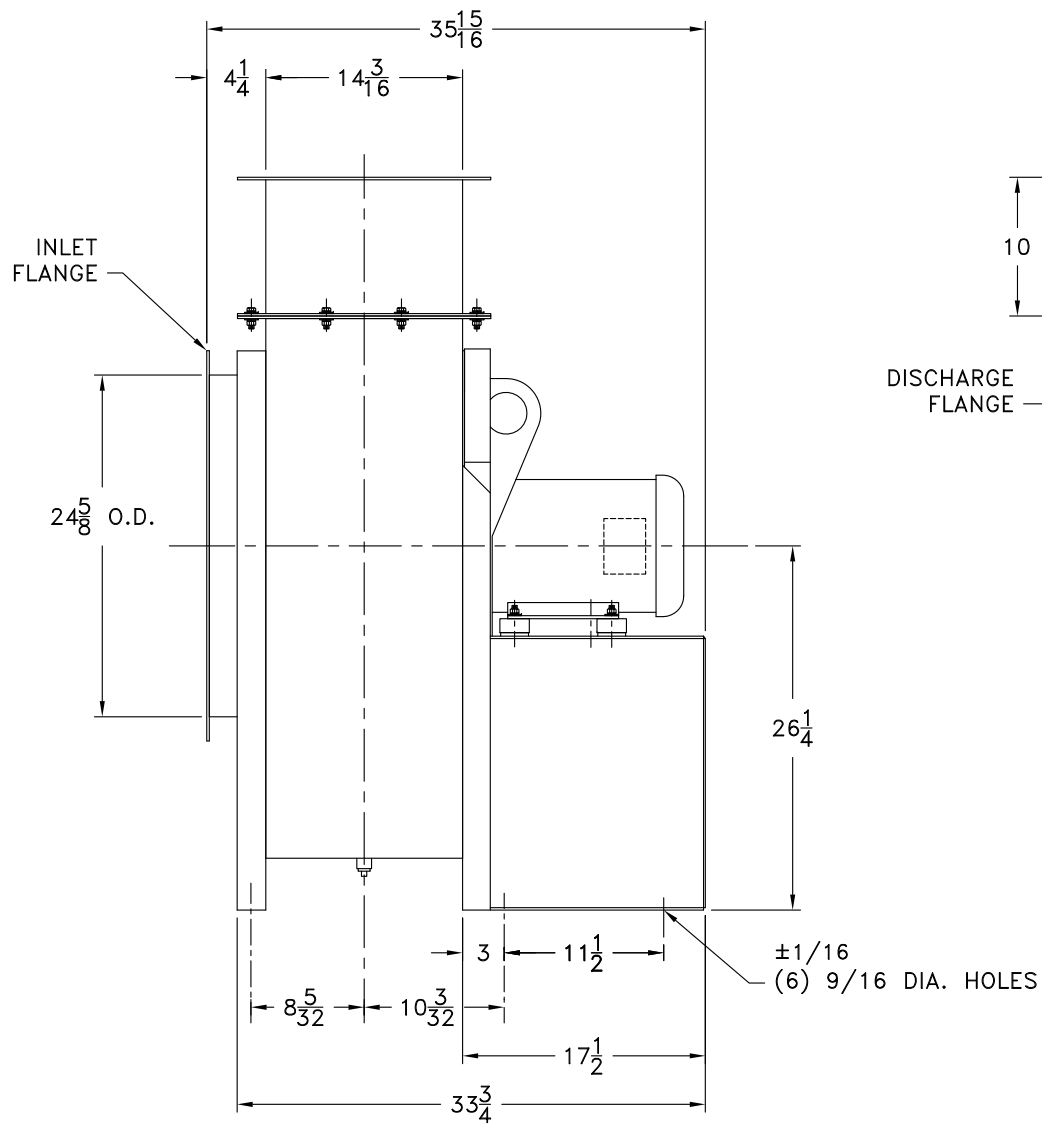
Maximum allowable wheel speed at 70°F is 2115 RPM

- CLASS II WHEEL CONSTRUCTION
- MANUAL CONTROLLED OPPOSED BLADE DISCHARGE DAMPER
- Special color enamel paint
- DRILL DISCHARGE FLANGE STANDARD
- DRILL INLET FLANGE STANDARD BOLT CIRCLE ON-CENTERS
- QUICK OPEN INSPECTION DOOR AT 3 O'CLOCK
- DRAIN
- TEFLON SHAFT SEAL

Estimated Shipping Weight: 754 pounds

Submittal Email: khaga@avanienvironmental.com

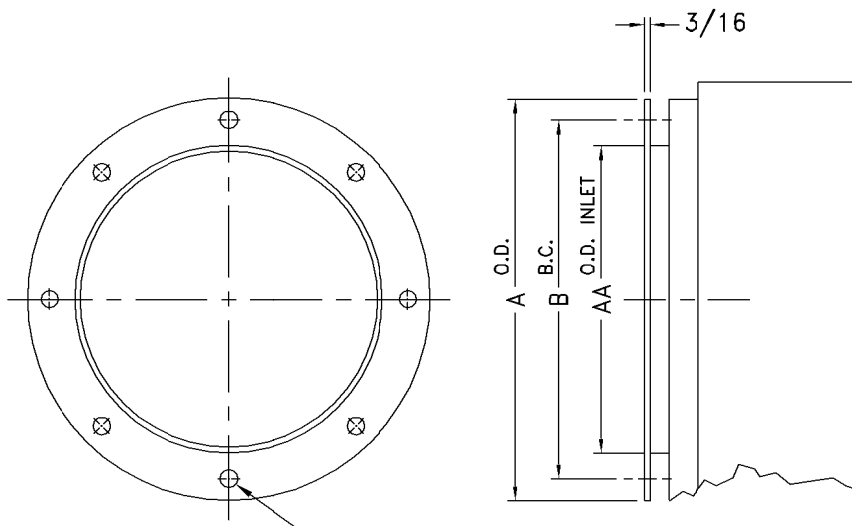




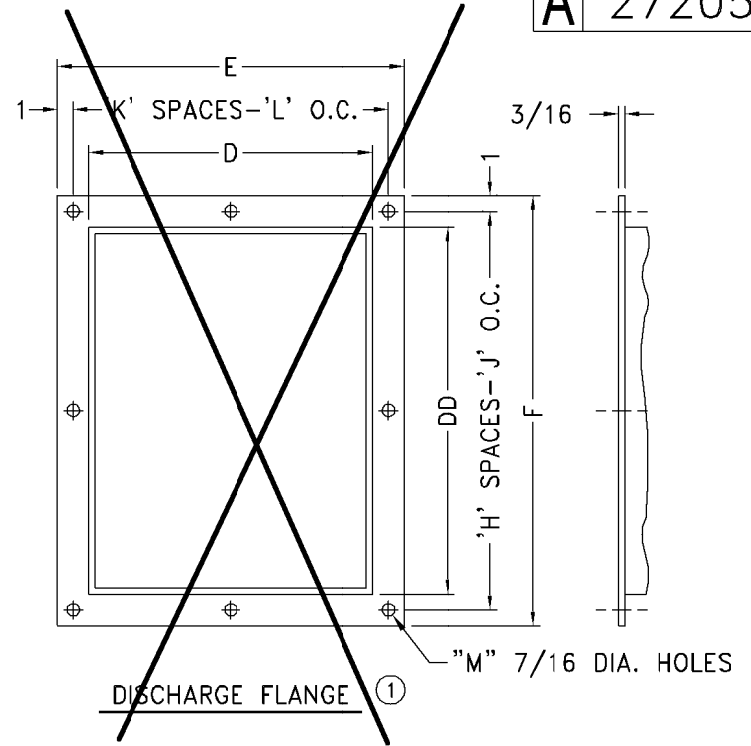
CW UP BLAST DISCHARGE SHOWN

- NOTES:
1. MOTOR: 7 1/2 HP, 1750 RPM, 213T FRAME, TEFC.
 2. SEE DRAWING 27205 FOR INLET FLANGE.
 3. SEE DRAWING 27211-01 FOR DISCHARGE FLANGE.
 4. CLASS II WHEEL CONSTRUCTION.
 5. TEFLON SHAFT SEAL.

				SUPERSEDES:		TOLERANCES: FRACTIONS ± 1/8 ANGLES: ± 1° DECIMALS: X.XXX = ±0.005 X.XX = ±0.060 X.X = ±0.120		SCALE: FULL IN CAD		cincinnati fan 7697 SNIDER ROAD MASON, OHIO 45040	
				SIMILAR TO:		ALL DIMENSIONS IN INCHES UNLESS OTHERWISE SPECIFIED		DATE: 5/23/11			
								DR. BY: JH			
								CHK. BY:			
NO.	DESCRIPTION	DATE	INITIALS	CERTIFIED		MATERIAL:		ASSEMBLY		DRAWING NO. A 1106036	
REVISIONS										SHEET 1 of 1 REV.	



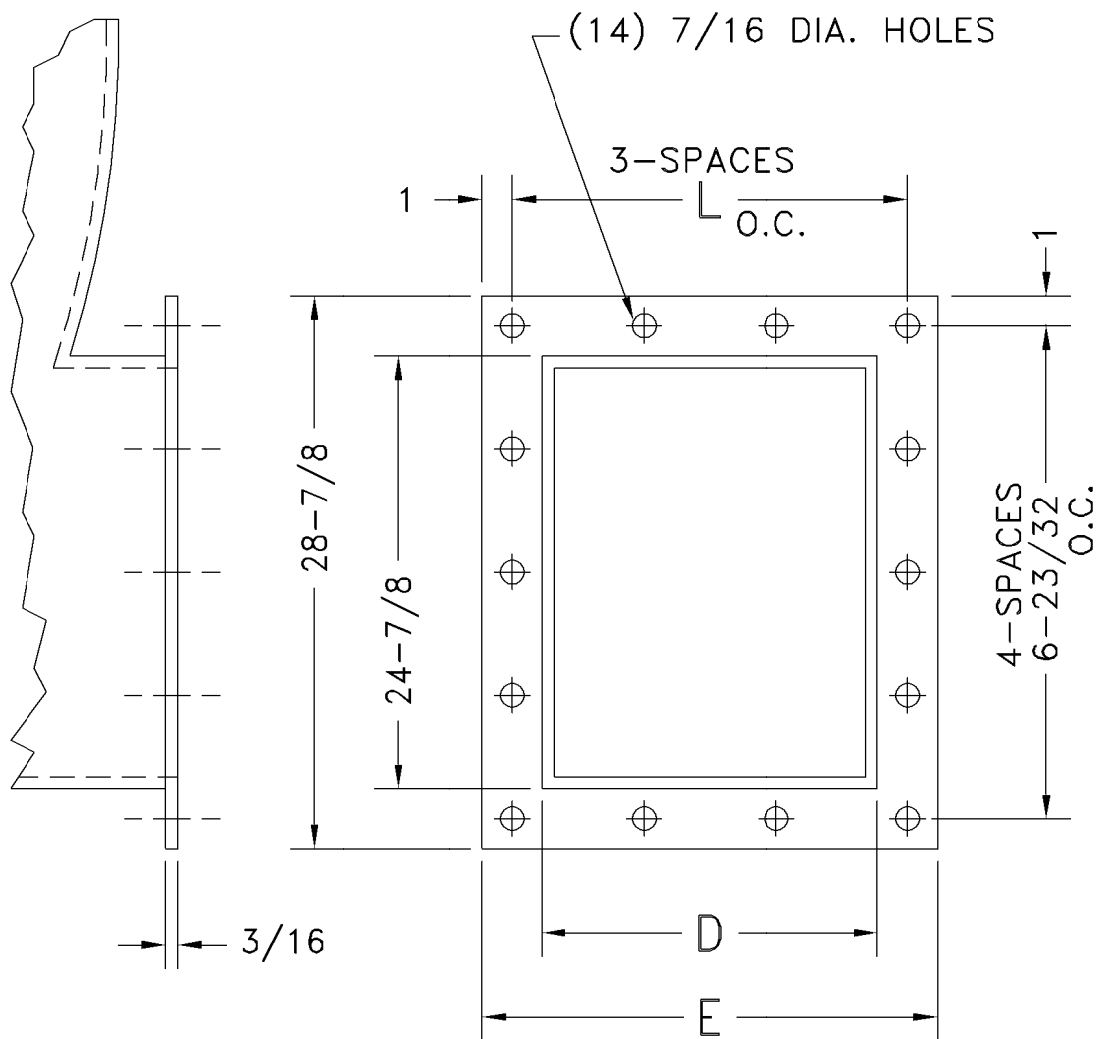
INLET FLANGE
"N" HOLES, "P" DIA.



DISCHARGE FLANGE ①

SIZE	INLET					DISCHARGE								
	A O.D.	B B.C.	N	AA DIA.	P	D	E	F	H	J	K	L	M	DD
120	16	14-3/8	8	13-1/4	7/16	9-3/8	13-3/8	17-11/16	2	7-27/32	2	5-11/16	8	13-3/4
130	17-3/4	15-15/16	8	14-5/8	7/16	10-3/8	14-3/8	19-3/16	2	8-19/32	2	6-3/16	8	15-1/4
150	19-1/4	17-1/2	8	16-1/8	7/16	11-3/8	15-3/8	20-3/4	3	6-1/4	2	6-11/16	10	16-13/16
160	21-1/8	19-3/8	8	18	7/16	12-1/2	16-1/2	22-7/16	3	6-13/16	2	7-1/4	10	18-7/16
180	23-1/2	21-1/2	12	20	7/16	13-7/8	17-7/8	24-1/2	3	7-1/2	2	7-15/16	10	20-3/8
200	25-1/2	23-1/2	12	22	7/16	15-1/4	19-1/4	26-3/8	3	8-1/8	3	5-3/4	12	22-3/8
X 220	28-1/8	26-1/8	12	24-5/8	7/16	16-7/8	20-15/16	28-7/8	4	6-23/32	3	6-5/16	14	24-7/8
240	30-3/4	28-3/4	16	27	7/16	18-9/16	22-5/8	31-3/8	4	7-11/32	3	6-7/8	14	27-3/8
270	33-3/4	31-5/8	16	30	7/16	20-7/16	24-1/2	34-1/8	4	8-1/32	3	7-1/2	14	30-1/16
300	37-1/4	35-1/4	16	33-1/2	7/16	22-3/4	26-3/4	37-5/8	5	7-1/8	3	8-1/4	16	33-9/16
330	40-3/8	38-3/4	16	36-3/4	1/2	24-7/8	28-7/8	40-7/8	7	5-9/16	5	5-3/8	24	36-3/4
360	43-5/8	42	16	40	1/2	27-1/4	31-1/4	44-1/4	7	6-1/32	5	5-27/32	24	40-1/4

NOTE:
① NOT AVAILABLE ON ANY MODEL FOR DOWNBLAST, BOTTOM ANGULAR DOWN OR TOP ANGULAR DOWN DISCHARGE POSITIONS.
DISCHARGE FLANGE IS STANDARD ON SIZES -270 THRU -360.



% WIDTH	D	E	L
105	17-5/16	21-5/16	6-7/16
100	16-7/8	20-15/16	6-5/16
95	16-1/2	20-9/16	6-3/16
90	16-1/8	20-3/16	6-1/16
85	15-3/4	19-13/16	5-15/16
80	15-5/16	19-3/8	5-25/32
75	14-15/16	19	5-21/32
70	14-9/16	18-5/8	5-17/32
65	14-3/16	18-1/4	5-13/32
60	13-3/4	17-13/16	5-9/32
55	13-3/8	17-7/16	5-5/32
50	13	17-1/16	5-1/32
45	12-5/8	16-5/8	4-7/8
40	12-1/4	16-1/4	4-3/4