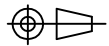


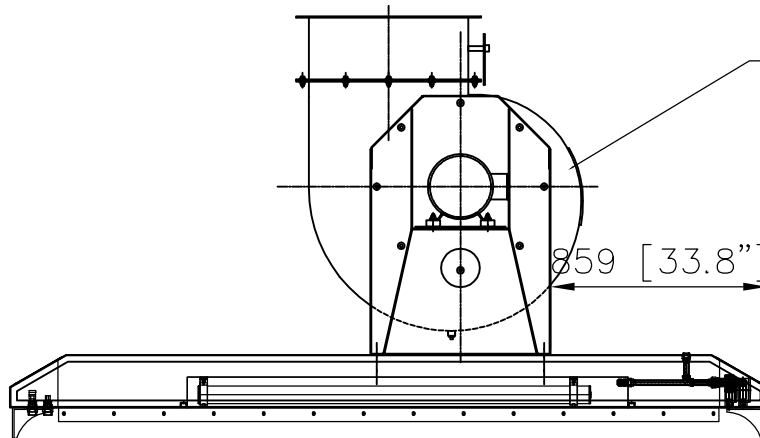
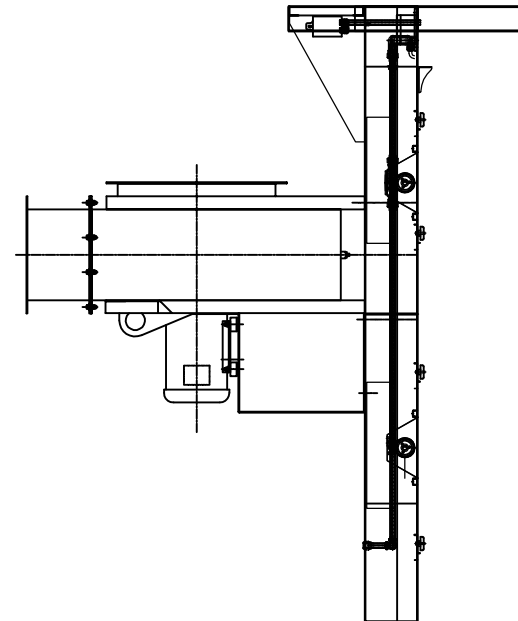
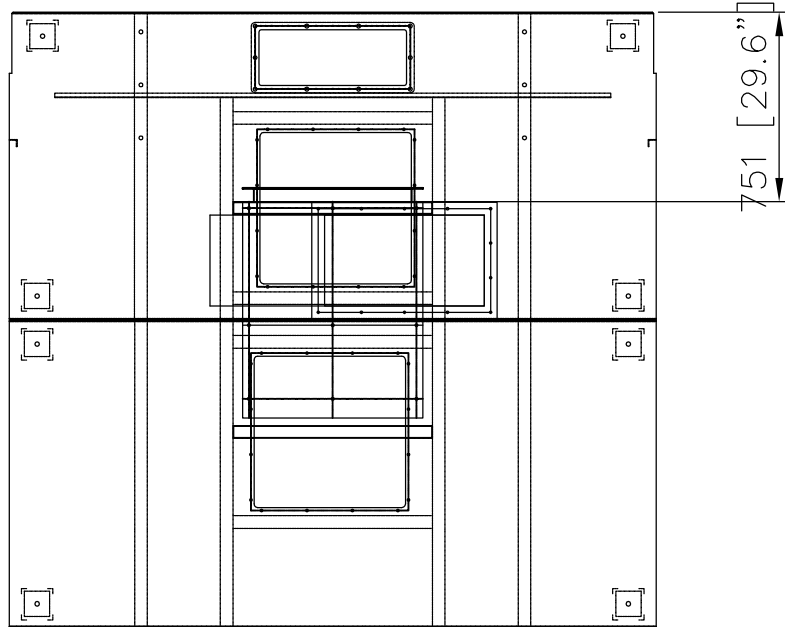
DO NOT SCALE

IF IN DOUBT ASK



Revisions

Rev	Description	Date	Approved
-----	-------------	------	----------



**Cincinnati Fan:**

- model #: HDBI-220
- drawing #: 1106036
- Avani to source locally.

AVANI ENVIRONMENTAL INTL. INC. Sales Department  
 95 Cypress Drive  
 Youngsville, NC 27596

(919) 570-2862  
 info@avanienvironmental.com

	Date	Name
Drawn by:	2011-05-25	***
Checked by:		

Part Number:  
ClassOne Equipment

Title:  
Welding Booth 10'W x 8'D x 10'H

The drawings, AutoCAD, 3-D Models, and specifications are the property of Avani Environmental Intl. Inc. (AE) and may not be reproduced, distributed, modified, or otherwise used, except provided herein, without the express written permission of AE.

Size  
**A**

Scale  
1 = 40

Drawing Number:  
WB-10x8x10P