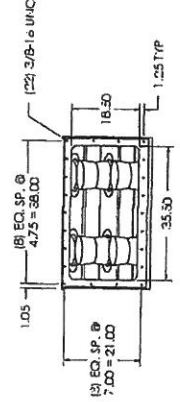
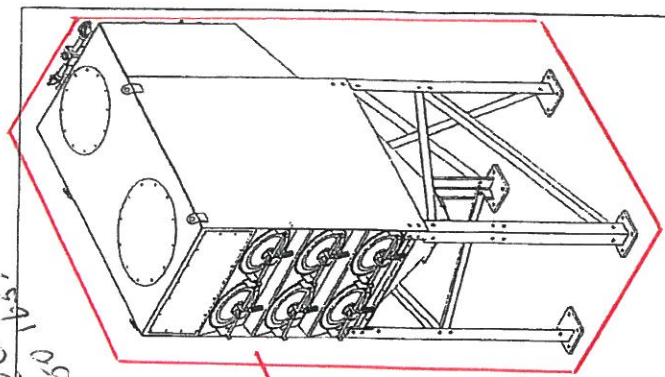


2350 Call for 10/2/13

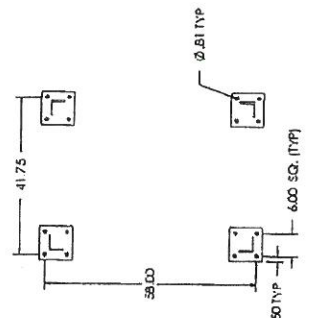


IT WAS STATED THAT 'COLLECTOR 3-12-2350 LB'. PLEASE VERIFY THAT THE OBJECT OUTLINED IS THE COLLECTOR & THAT THE STATED WEIGHT IS INDEPENDENT OF THE FAN & SILENCER WEIGHTS.

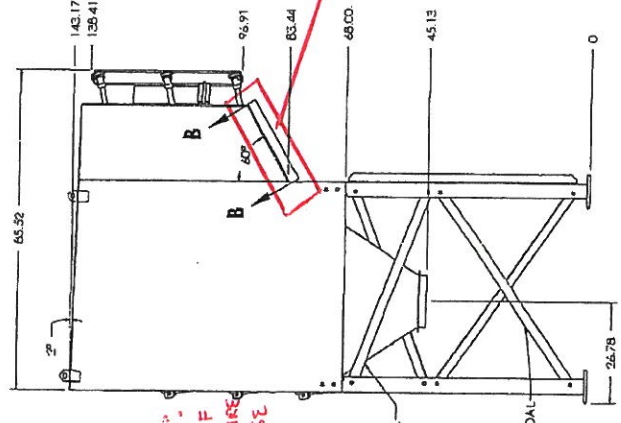
TCR/FAN SIZE	A	B
3	14.00	15.81
5-10	14.00	17.50
15-20	20.00	21.50
25-30	22.00	23.50

- ACCESSORIES:
1. FAN BLOWER: TCFCB130
 2. ALL-IN-ONE CONTROLS (30HP / 460V)
 3. FAN OUTLET SILENCER & DAMPER
 4. DRUM LID LATCH KIT
 5. NANO-ELITE FR FILTERS

IS THIS THE LOCATION OF THE SILENCER ON OUTLET FAN?

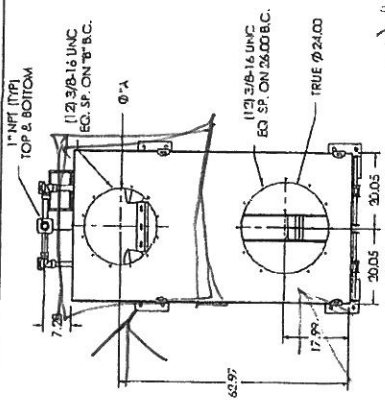


SECTION A-A

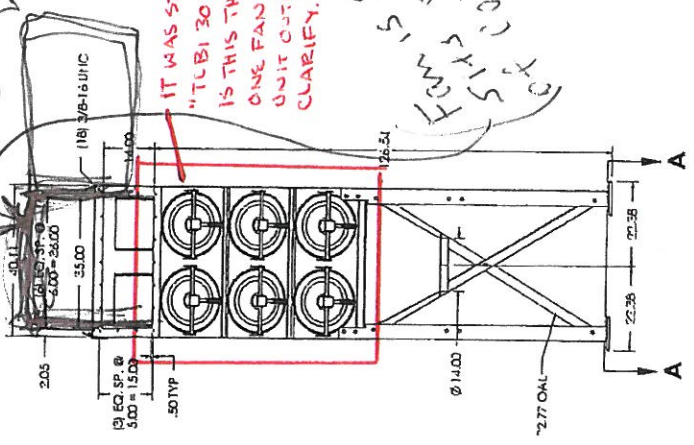


IT WAS STATED THAT "TCB130 FAN = 880 LB". IS THIS THE WEIGHT OF ONE FAN OR THE ENTIRE UNIT OUTLINED. PLEASE CLARIFY.

5115 Call for 10/2/13
of collector
FAN IS 880 LB



SILENCER



FAN
INLET

REV	ECH	DATE	BY	CHK	DESCRIPTION

avani environmental

95 Cypress Dr.
Youngsville, NC 27597
Phone: 919-570-2862
www.avanienvironmental.com

TITLE: SDC-AT-3-12

PROJECT NO: BC 500006

SHEET NO: 1 OF 1

REV.:

PROPERTY JK	DATE 10/2/13
PROPERTY JI	DATE 10/2/15
PROPERTY 15722-001	DATE 1/30

Hoods are attached
each or
around 15' part
43 lbs

IT WAS STATED THAT
" 4EM-1620 ARMS - 43 LB EA. "
PLEASE CLARIFY WHETHER
THESE ARE THE ARMS TO
EXTEND EA. HOOD INTO THE
WELDING BOOTHS AS SHOWN

IS THERE TO BE HOODS
OVER EACH WELDING
BOOTH & EACH CUTTING
TABLE?

NO 3/4" ROD
W/ TURN BUCKLE

DUCTING HANGERS GA. 20 3" WIDE

4" DUCT

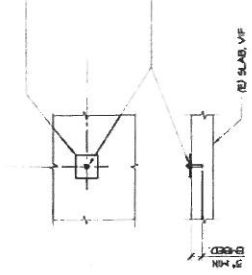
WELDING TABLE
CUTTING

WELDING BOOTH

SH 2

SECTION 1

SCALE: N.T.S.

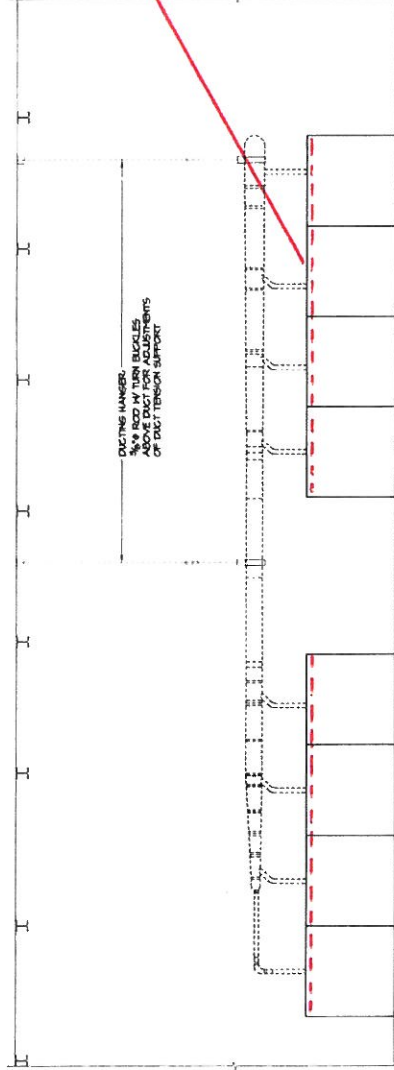


DETAIL

SCALE: N.T.S.

Need to verify
gauge
parts

THE WEIGHT OF THE WB PANELS
WAS STATED TO BE 221 LB EA,
BUT THE MATERIAL UTILIZED
IS NOT APPARENT. ALSO, IS
THE WEIGHT OF THE DUCT,
ARMS, & HOODS TO BE SUPPORTED
BY THE PANELS OUT LINED
WITH DASH MARKS? PLEASE
CLARIFY.



DUCTING HANGER:
3/4" ROD W/ TURN BUCKLES
ABOVE DUCT FOR ADJUSTMENTS
OR DUCT TENSION SUPPORT

WELDING BOOTH ELEVATION BOOTH

SCALE: N.T.S.