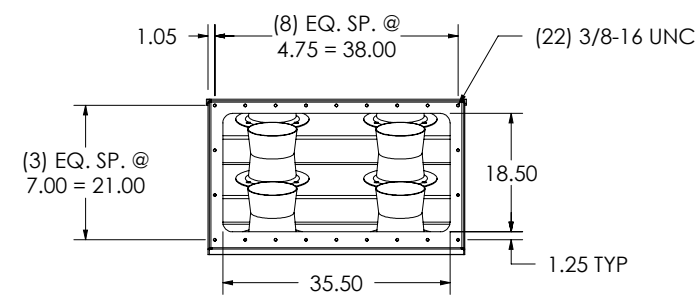
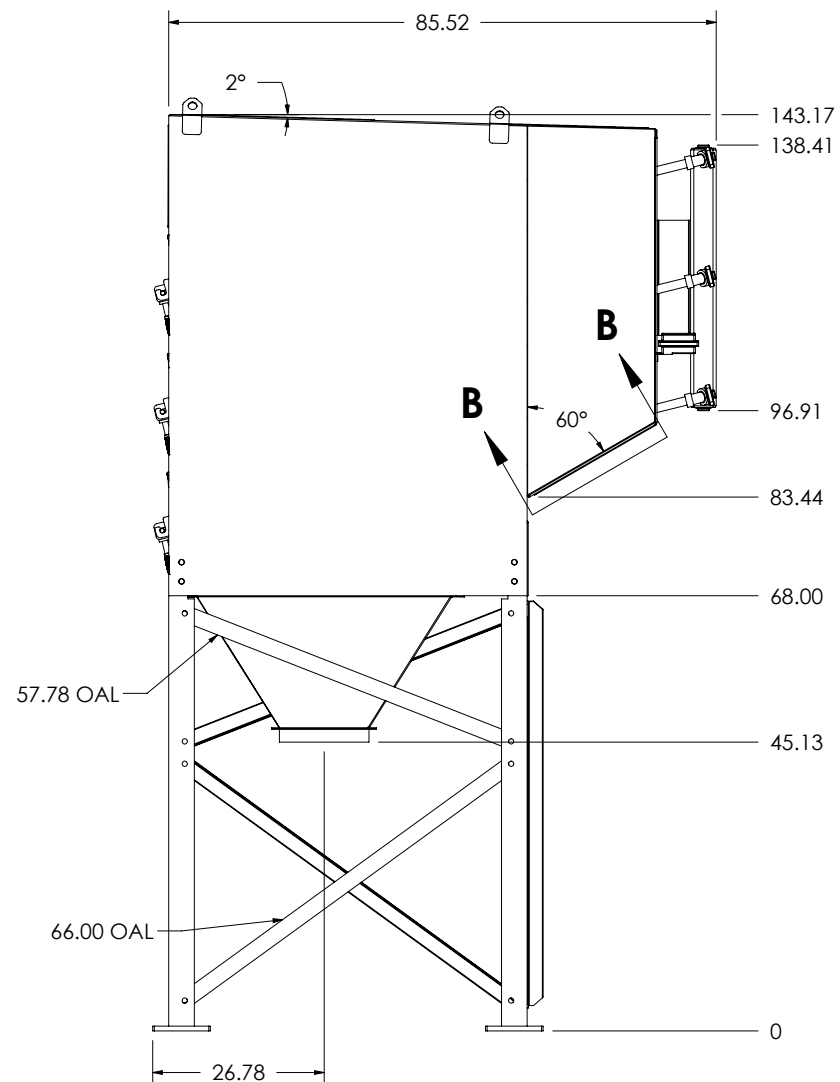
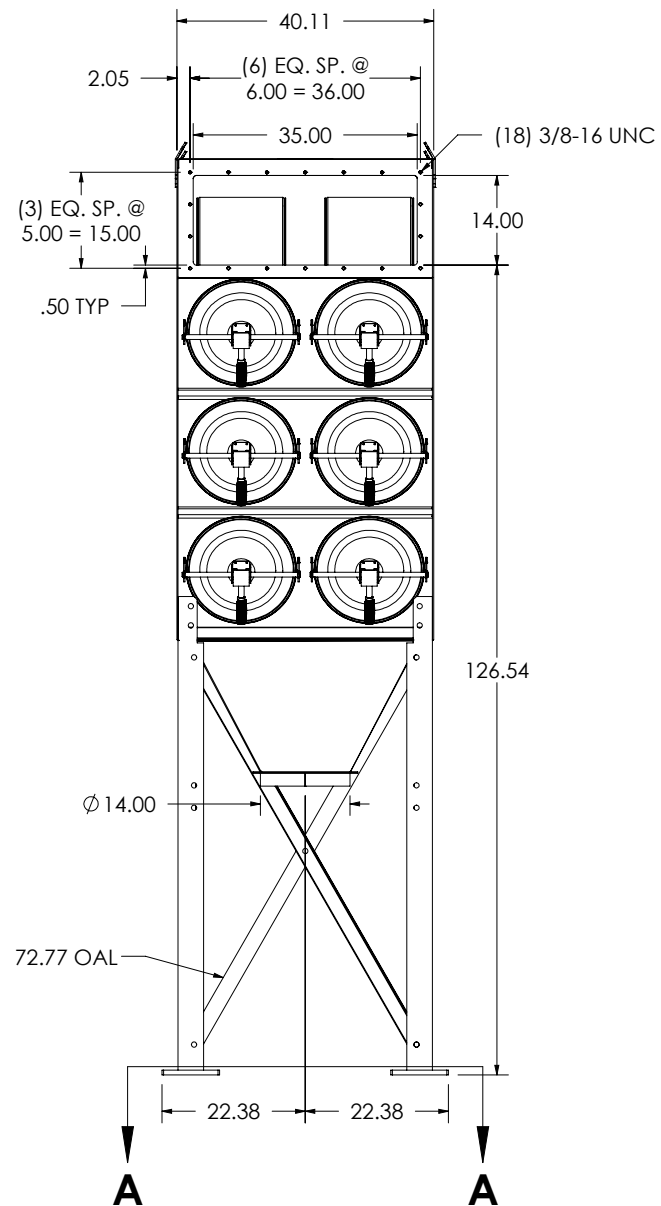


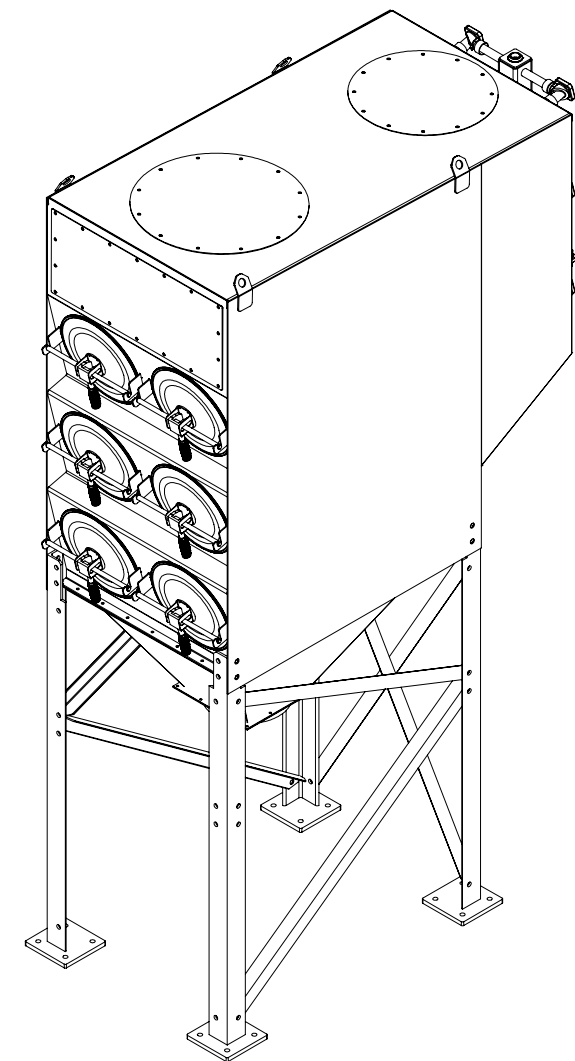
**SECTION A-A**



**SECTION B-B**




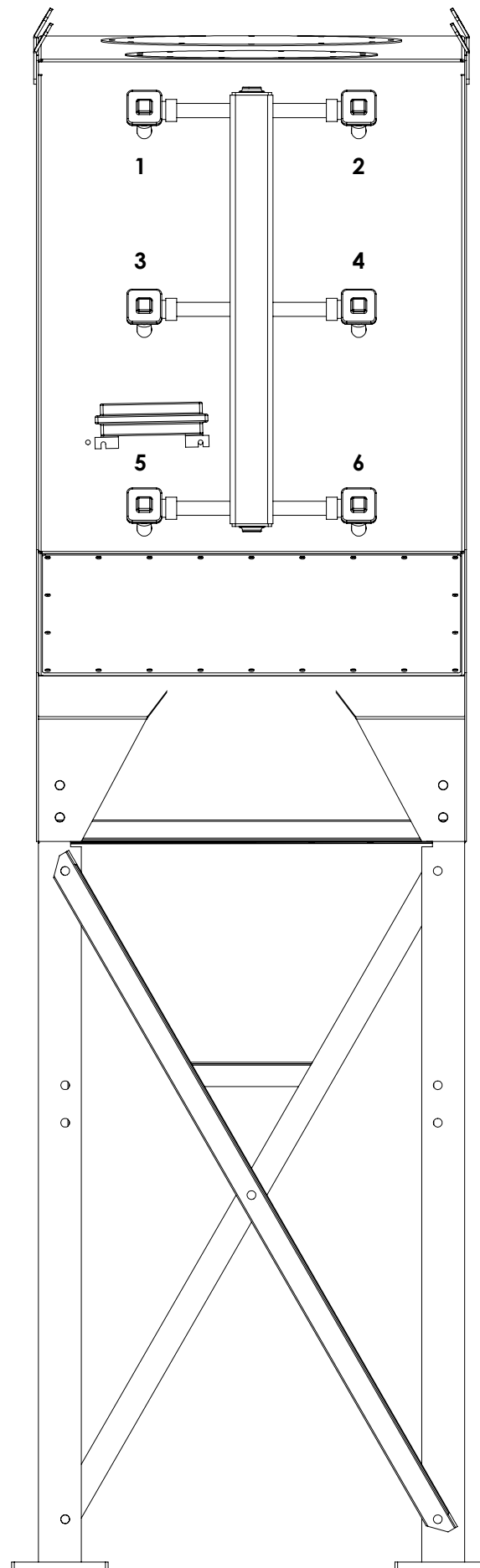
TCBI FAN SIZE	A	B
3	14.00	15.81
5-10	16.00	17.50
15-20	20.00	21.50
25-30	22.00	23.50




**ACCESSORIES:**

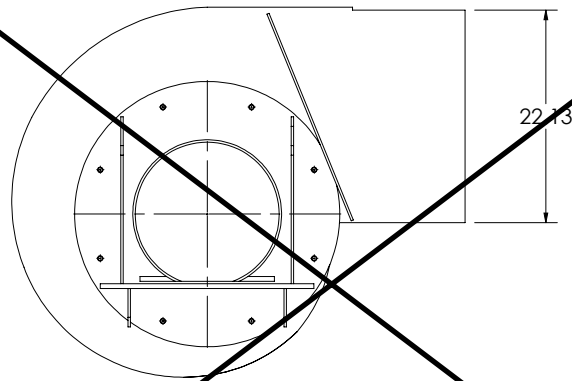
1. FAN BLOWER: TCF TCBI 30
2. ALL-IN-ONE CONTROLS (30HP/460V)
3. FAN OUTLET SILENCER & DAMPER
4. DRUM LID LATCH KIT
5. NANO-ELITE FR FILTERS

REV	ECN	DATE	BY	CHK	DESCRIPTION
-	-	-	-	-	-
 <b>95 Cypress Dr. Youngsville, NC 27597 Phone: 919-570-2862 www.avanienvironmental.com</b>					
DRAWN BY: JX					
DATE: 10/2/13					
CHKD BY: JX					
DATE: 10/2/13					
SHOP NO.: 15722-001					
SCALE: 1:30					
TITLE: SDC-AT-3-12		DRAWING NO.: BC 500006		SHEET: 1 OF 1	ITEM: -
				REV: -	

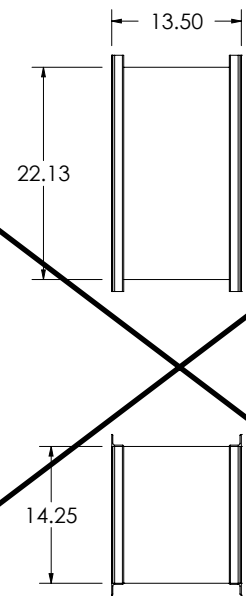


DRAWN BY  
JX  
DATE  
10/2/13  
CHKD BY  
-  
DATE  
-  
SHOP NO.  
-  
SCALE  
1:15

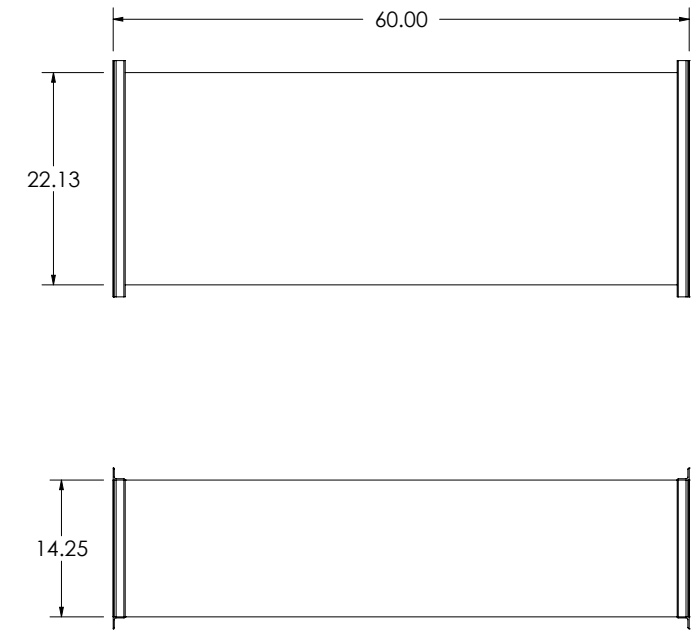
REV	ECN	DATE	BY	CHK	DESCRIPTION
-	-	-	-	-	-
					95 Cypress Dr. Youngsville, NC 27597 Phone: 919-570-2862 www.avanienvironmental.com
TITLE					
SDC-AT-3-12					
DIAPHRAGM VALVE LOCATIONS					
DRAWING NO.				SHEET	ITEM
BC 500030				1 OF 1	-
				REV.	-



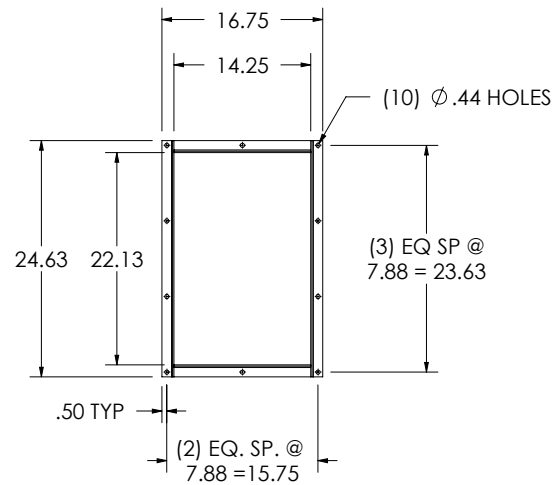
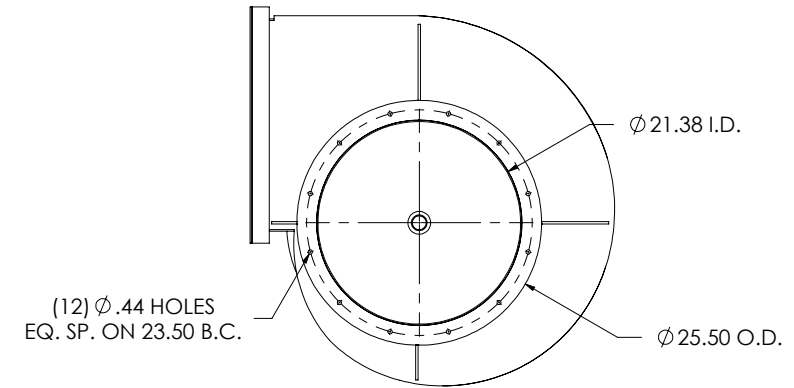
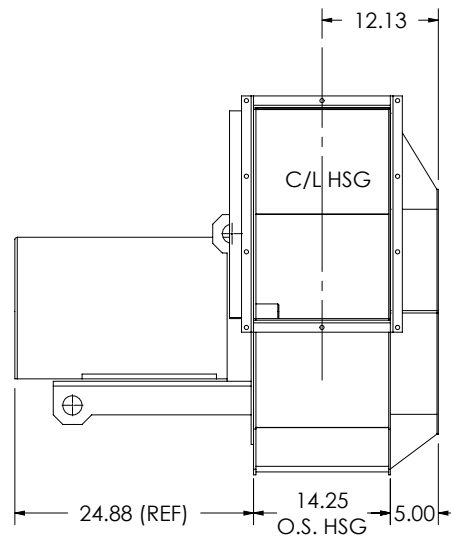
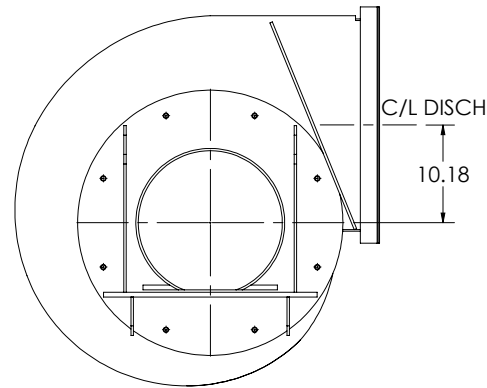
BUILT-IN DAMPER



DETACHED OUTLET DAMPER




OUTLET SILENCER

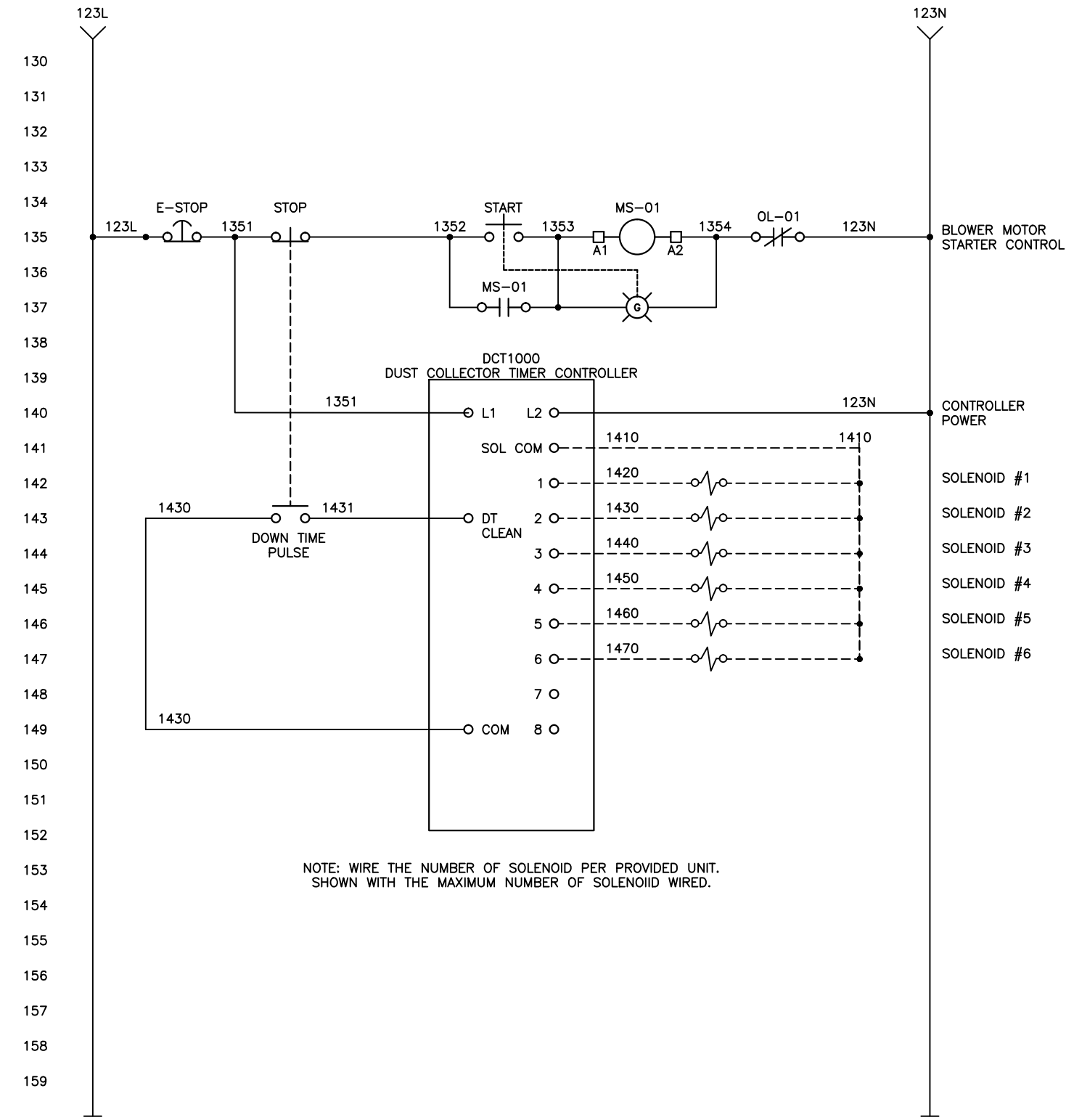
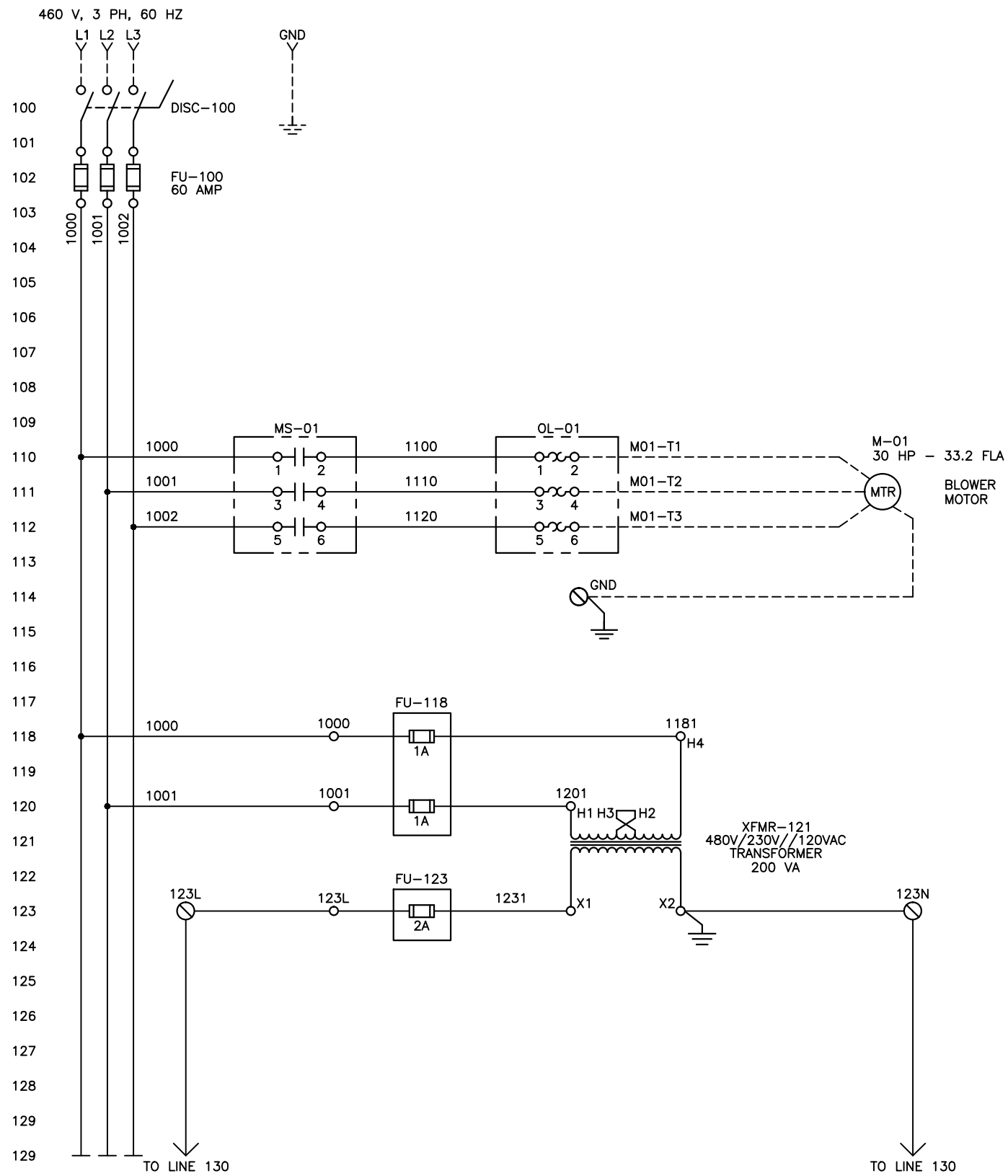


FLANGE DETAIL

NOTES:  
1. "CW" ROTATION SHOWN. "CCW" ROTATION SIMILAR BUT OPPOSITE.

DRAWN BY	JX
DATE	7/25/13
CHKD BY	JX
DATE	7/25/13
SHOP NO.	15722-001
SCALE	1:20

REV	ECN	DATE	BY	CHK	DESCRIPTION
-	-	-	-	-	-
					
<b>95 Cypress Dr.</b> <b>Youngsville, NC 27597</b> <b>Phone: 919-570-2862</b> <b>www.avanienvironmental.com</b>					
TITLE					
TCF 30 TCBI					
FAN W/ ACCESSORIES					
DRAWING NO.					SHEET
BC 500055					1 OF 1
					ITEM
					-
					REV.
					-



NOTE: WIRE THE NUMBER OF SOLENOID PER PROVIDED UNIT.  
SHOWN WITH THE MAXIMUM NUMBER OF SOLENOID WIRED.

THIS DRAWING IS CONFIDENTIAL PROPERTY OF ENGINEERING FIRM. DO NOT DUPLICATE IN ANY TYPE WITHOUT PROPER WRITTEN PERMISSION. IF YOU ARE NOT THE INTENDED CLIENT PLEASE DESTROY THIS DOCUMENT.			<b>DUST COLLECTOR BLOWER PACKAGE 480VAC, 3 PHASE - 30 HP WITH DUST COLLECTOR TIMER CONTROLLER</b>		
REV.	DESCRIPTION	DATE	FILE PATH: c:\clients\	CLIENT	PLOT DATE: 01/01/04
1	CREATED	7/28/08		AVANI ENVIRONMENTAL	DRAWING NUMBER 30 HP 100
			DRAWN BY: ECS	DATE: 7/28/08	DRAWING SCALE NONE
			CHECKED BY: ECS	DATE: 7/28/08	PROJECT NUMBER