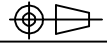


DO NOT SCALE

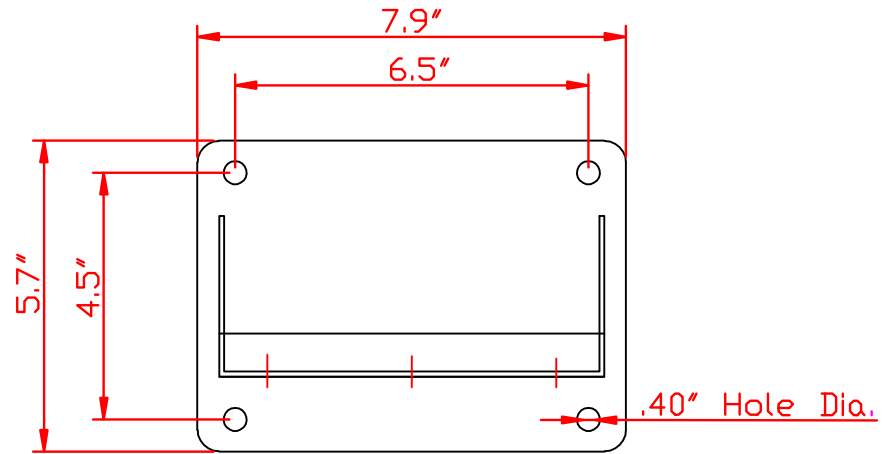
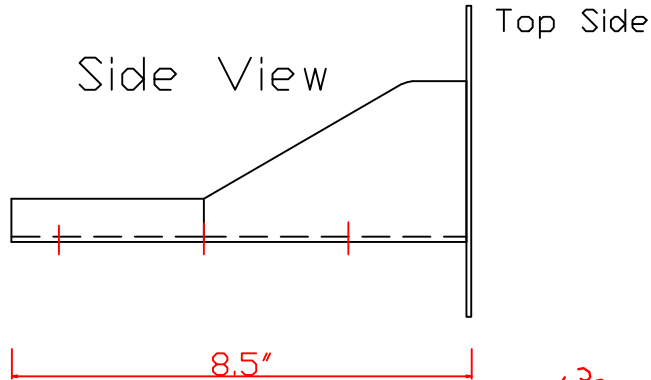
IF IN DOUBT ASK



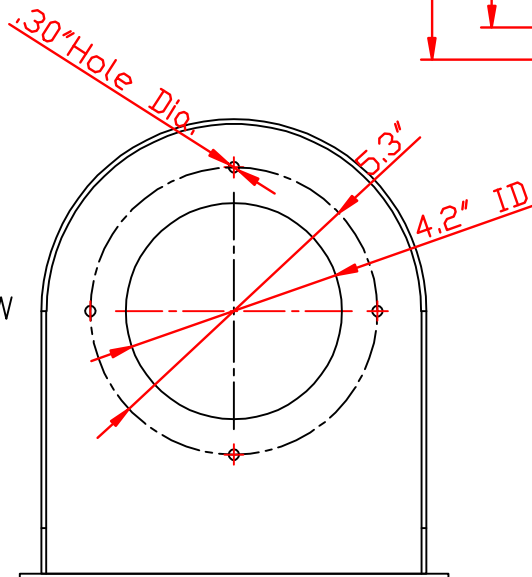
Revisions			
Rev	Description	Date	Approved

WALL MOUNT BRACKET 4" ARM

End View



Plan View



- * 11 Gauge Steel
- * Painted Black

AVANI ENVIRONMENTAL INTL. INC. Sales Department
 95 Cypress Drive (919) 570-2862
 Youngsville, NC 27596 info@avanienvironmental.com

Drawn by:	Date	Name
DOJ	2012-2-14	DOJ
Checked by:		

Part Number:	FE-MB-4
--------------	---------

Title:	4 inch arm wall mount bracket
--------	-------------------------------

The drawings, AutoCAD, 3-D Models, and specifications are the property of Avani Environmental Intl. Inc. (AE) and may not be reproduced, distributed, modified, or otherwise used, except provided herein, without the express written permission of AE.

Size	Scale
A	1 = 1

Drawing Number:	FE-MB-4
-----------------	---------