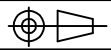


DO NOT SCALE

IF IN DOUBT ASK



Revisions

Rev	Description	Date	Approved

Standing Arm 4"*7'

Diameter: 4"

Length: 7'

Weight: 25.4 lbs (net)

Arm Construction: Two galvanized steel tubes, three pieces of flex hose at joints, aluminum hood, heavy gauge steel swivel base, and support gas shock.

Arm Adjustment: Externally supported, adjustments are quickly done at the joints.

Hood: 10" diameter round aluminum hood.

Damper: Internal with external adjustment.

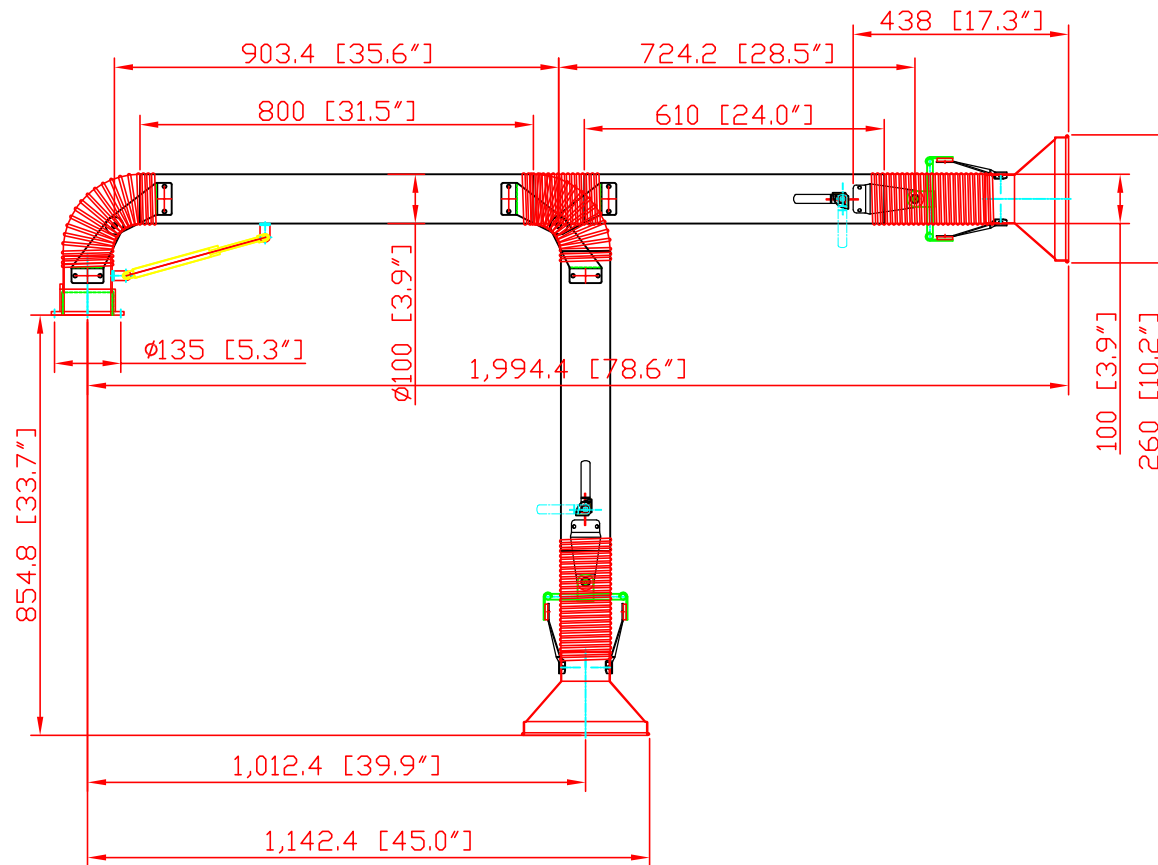
Finish: Powder coated.

Hose: Rated at 160°F

Accessories: Mounting bracket and light kit.

Mounting Bracket:

Warranty: Limited two years from date of purchase.



Packing Size:	120 x 29.5 x 53 cm 47.2 x 11.6 x 21 inch
N.W. / G.W.:	11.5 / 14 kgs 25.4 / 31 lbs

AVANI ENVIRONMENTAL INTL. INC. Sales Department
95 Cypress Drive (919) 570-2862
Youngsville, NC 27596 info@avanienvironmental.com

Date	Name	Part Number:	Title:
2012-03-03	***	**	Arm 1020P
Checked by:			
The drawings, AutoCAD, 3-D Models, and specifications are the property of Avani Environmental Intl. Inc. (AE) and may not be reproduced, distributed, modified, or otherwise used, except provided herein, without the express written permission of AE.			Size A
			Scale 1 = xx
			Drawing Number: 2012.03.03