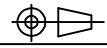


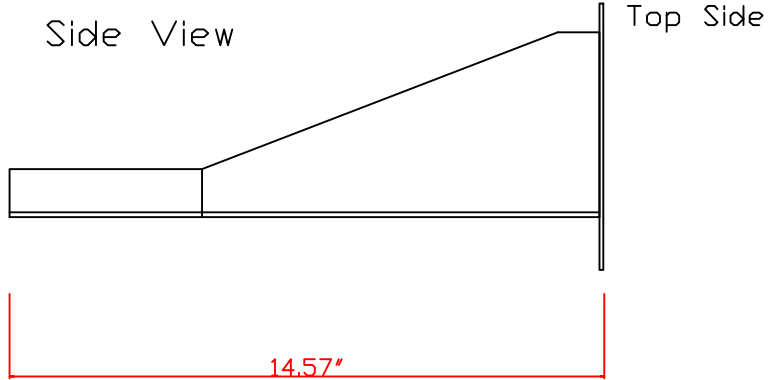
DO NOT SCALE

IF IN DOUBT ASK

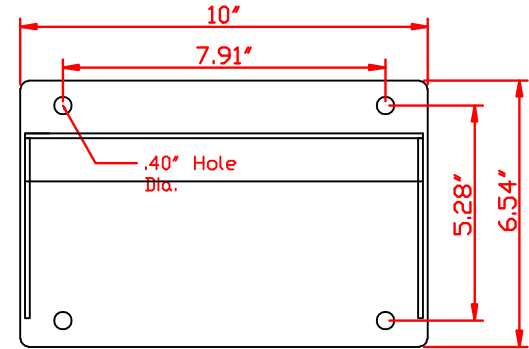


# WALL MOUNT BRACKET 6" ARM

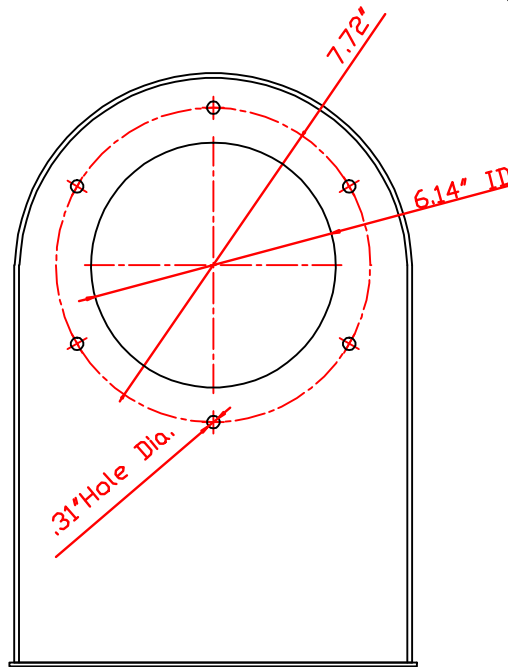
Revisions			
Rev	Description	Date	Approved



End View



Plan View



- \* 11 Gauge Steel
- \* Painted Black

AVANI ENVIRONMENTAL INTL. INC. Sales Department  
 95 Cypress Drive (919) 570-2862  
 Youngsville, NC 27596 info@avanienvironmental.com

Drawn by:	Date	Name	Part Number:	Title:
Checked by:	2012.02.14	DOJ	FE-MB-6	6 inch arm wall mount bracket
The drawings, AutoCAD, 3-D Models, and specifications are the property of Avani Environmental Intl. Inc. (AE) and may not be reproduced, distributed, modified, or otherwise used, except provided herein, without the express written permission of AE.			Size	Scale
			A	1 = 1
			Drawing Number:	
			FE-MB-6	