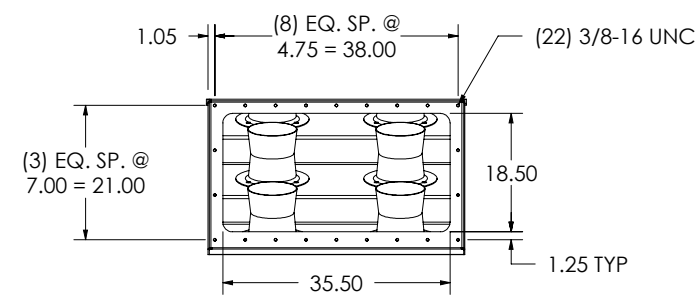
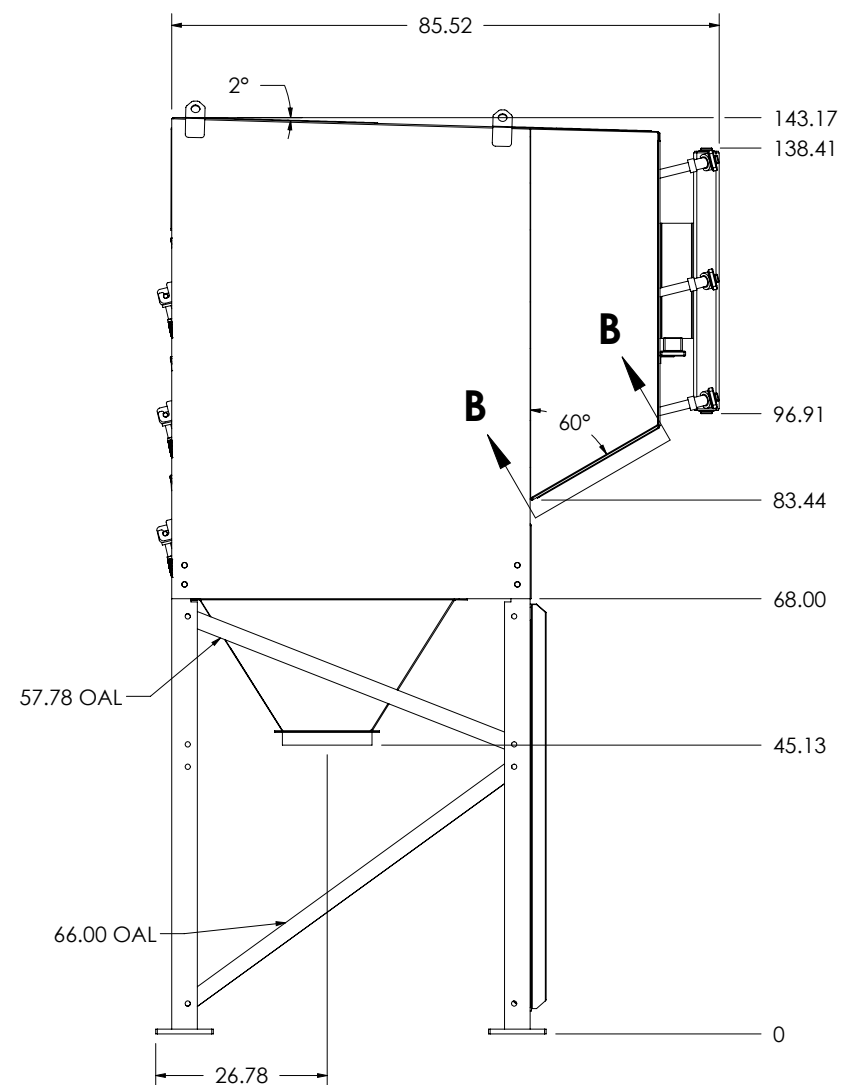
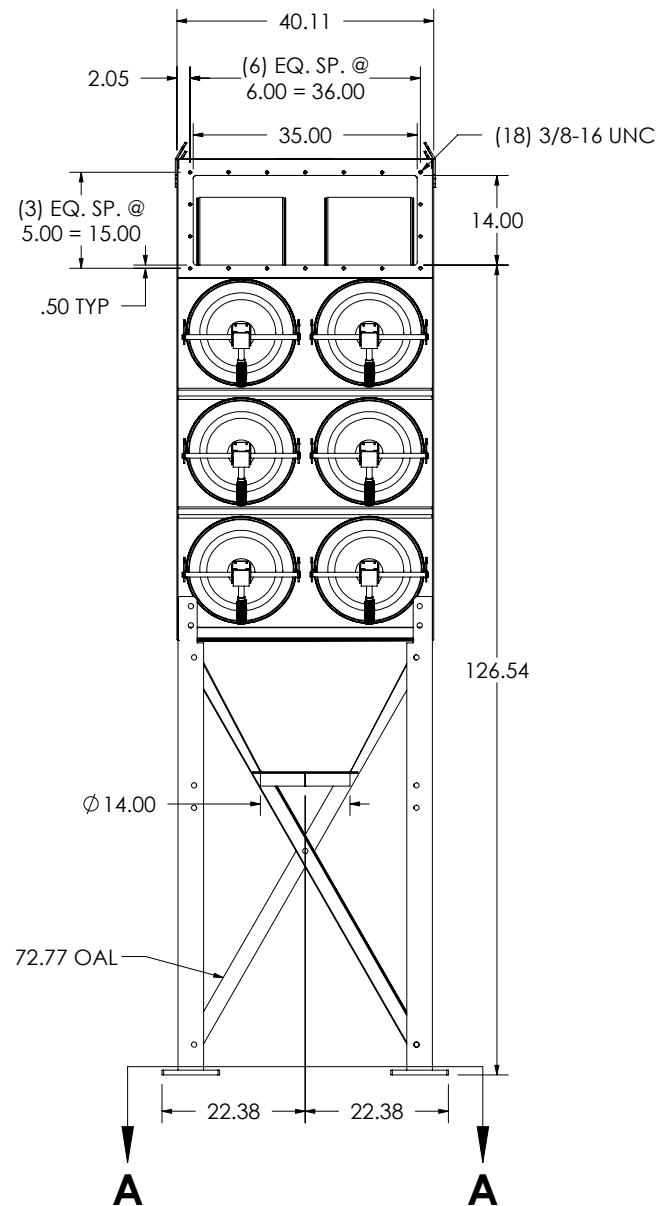


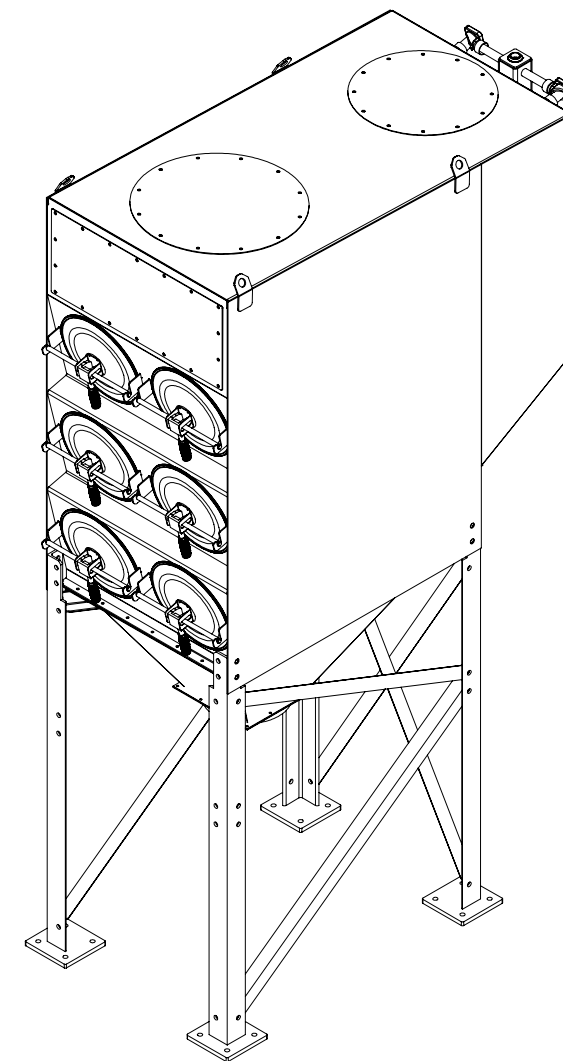
SECTION A-A



SECTION B-B



TCBI FAN SIZE	A	B
3	14.00	15.81
5-10	16.00	17.50
15-20	20.00	21.50
25-30	22.00	23.50



NOTES:

- ALL WEIGHTS ARE APPROX.
COLLECTOR WT: 2350 LBS
FAN WT: 880 LBS
FAN DAMPER WT: 93 LBS
FAN SILENCER WT: 145 LBS

ACCESSORIES:

- FAN BLOWER: TCF TCBI 30
- ALL-IN-ONE CONTROLS (30HP/460V)
- FAN OUTLET SILENCER & DAMPER
- DRUM LID LATCH KIT
- NANO-ELITE FR FILTERS

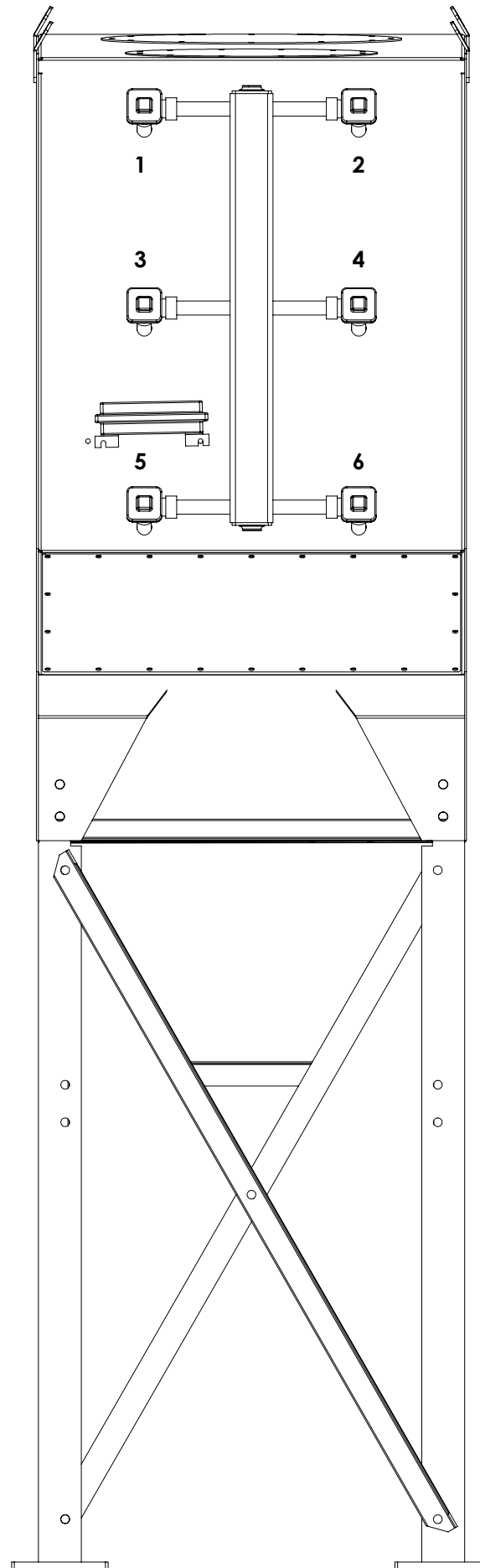
REV	ECN	DATE	BY	CHK	DESCRIPTION
A	-	-	JX	-	ADD WEIGHTS




95 Cypress Dr.
Youngsville, NC 27597
Phone: 919-570-2862
www.avanienvironmental.com

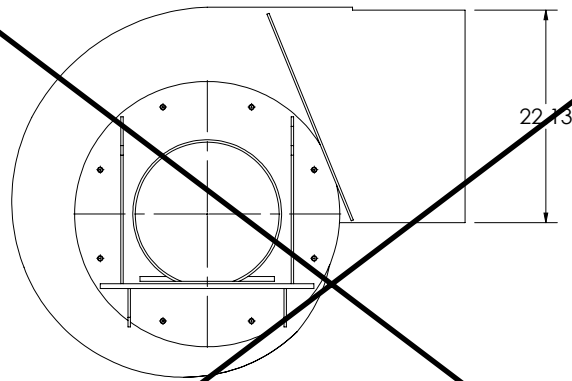
DRAWN BY	JX
DATE	10/2/13
CHKD BY	JX
DATE	10/2/13
SHOP NO.	15722-001
SCALE	1:30

TITLE	SDC-AT-3-12				
DRAWING NO.	BC 500006	SHEET	1 OF 1	REV.	A

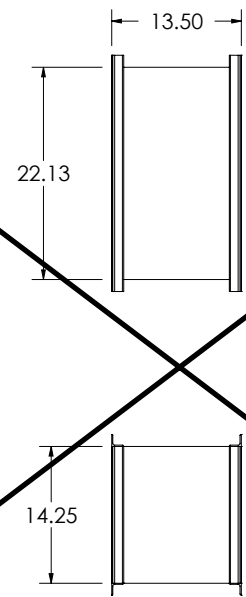


DRAWN BY	JX
DATE	10/2/13
CHKD BY	-
DATE	-
SHOP NO.	-
SCALE	1:15

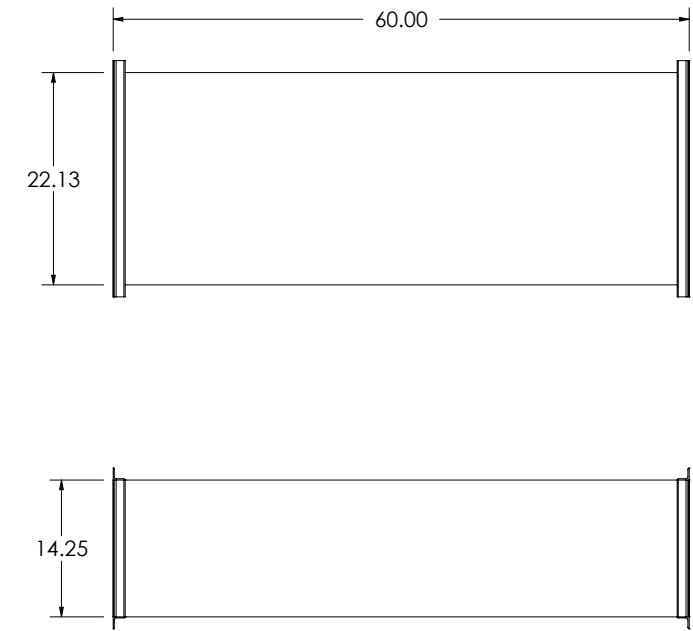
REV	ECN	DATE	BY	CHK	DESCRIPTION
-	-	-	-	-	-
					95 Cypress Dr. Youngsville, NC 27597 Phone: 919-570-2862 www.avanienvironmental.com
TITLE					
SDC-AT-3-12					
DIAPHRAGM VALVE LOCATIONS					
DRAWING NO.				SHEET	ITEM
BC 500030				1 OF 1	-
				REV.	-



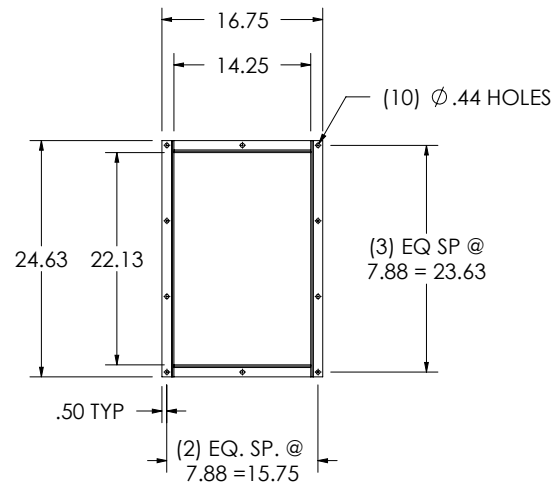
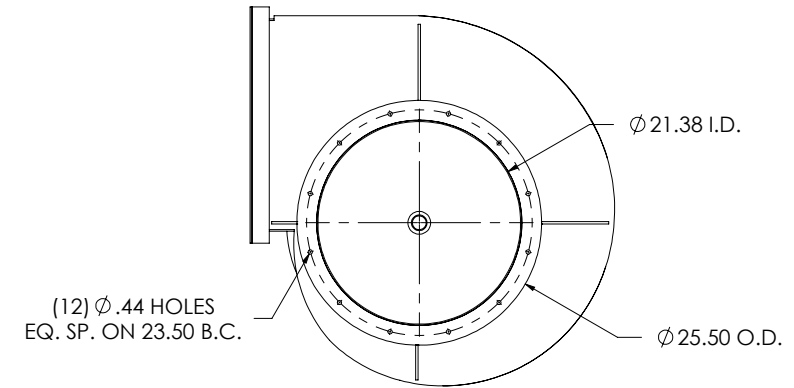
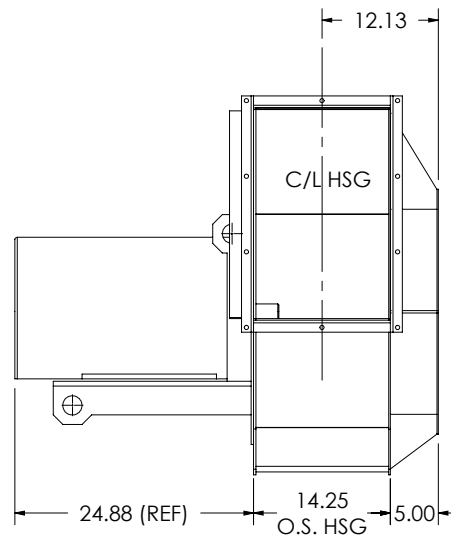
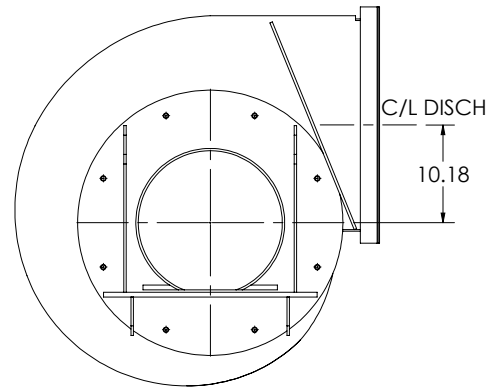
BUILT-IN DAMPER



DETACHED OUTLET DAMPER




OUTLET SILENCER



FLANGE DETAIL

NOTES:
1. "CW" ROTATION SHOWN. "CCW" ROTATION SIMILAR BUT OPPOSITE.

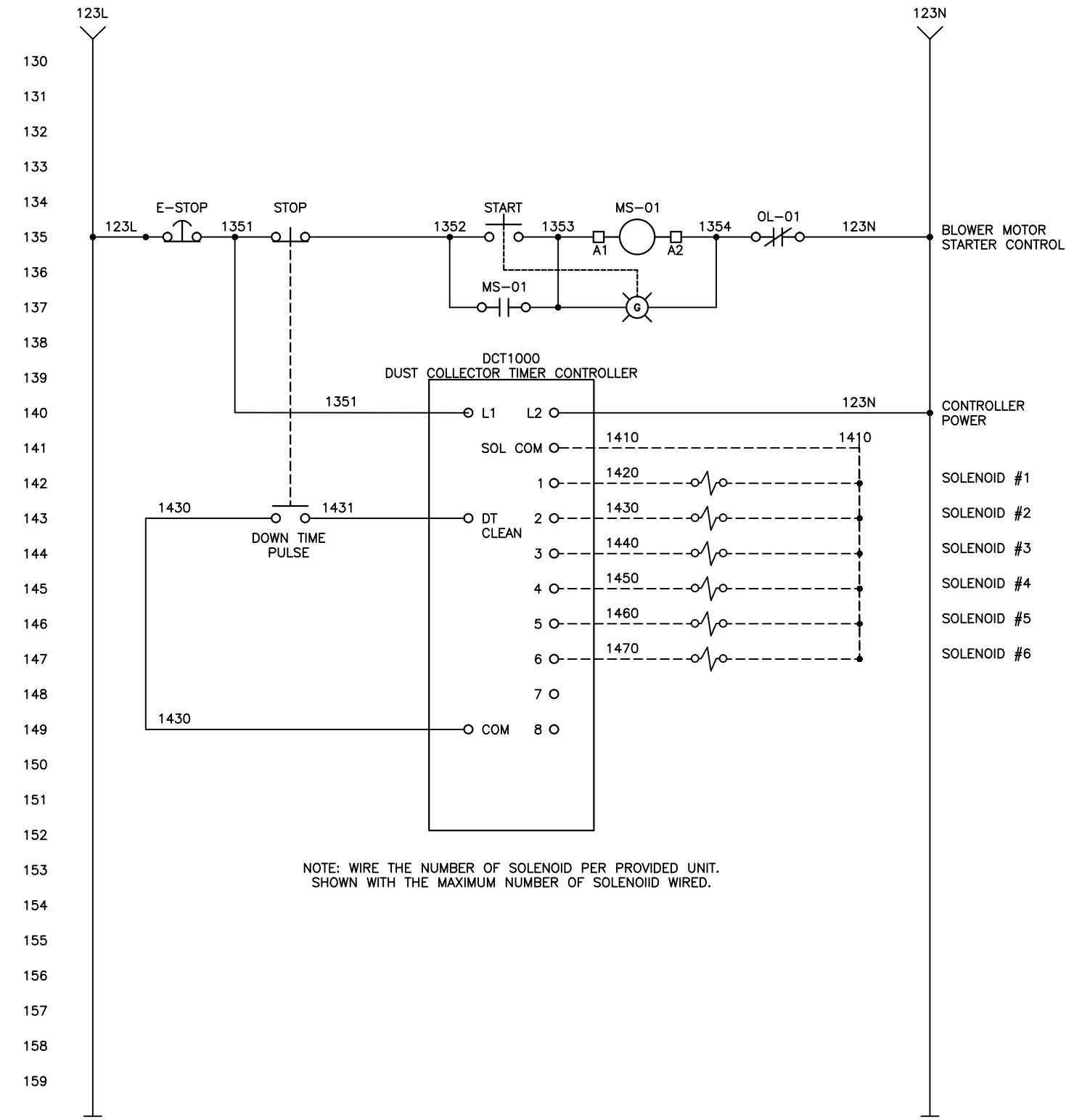
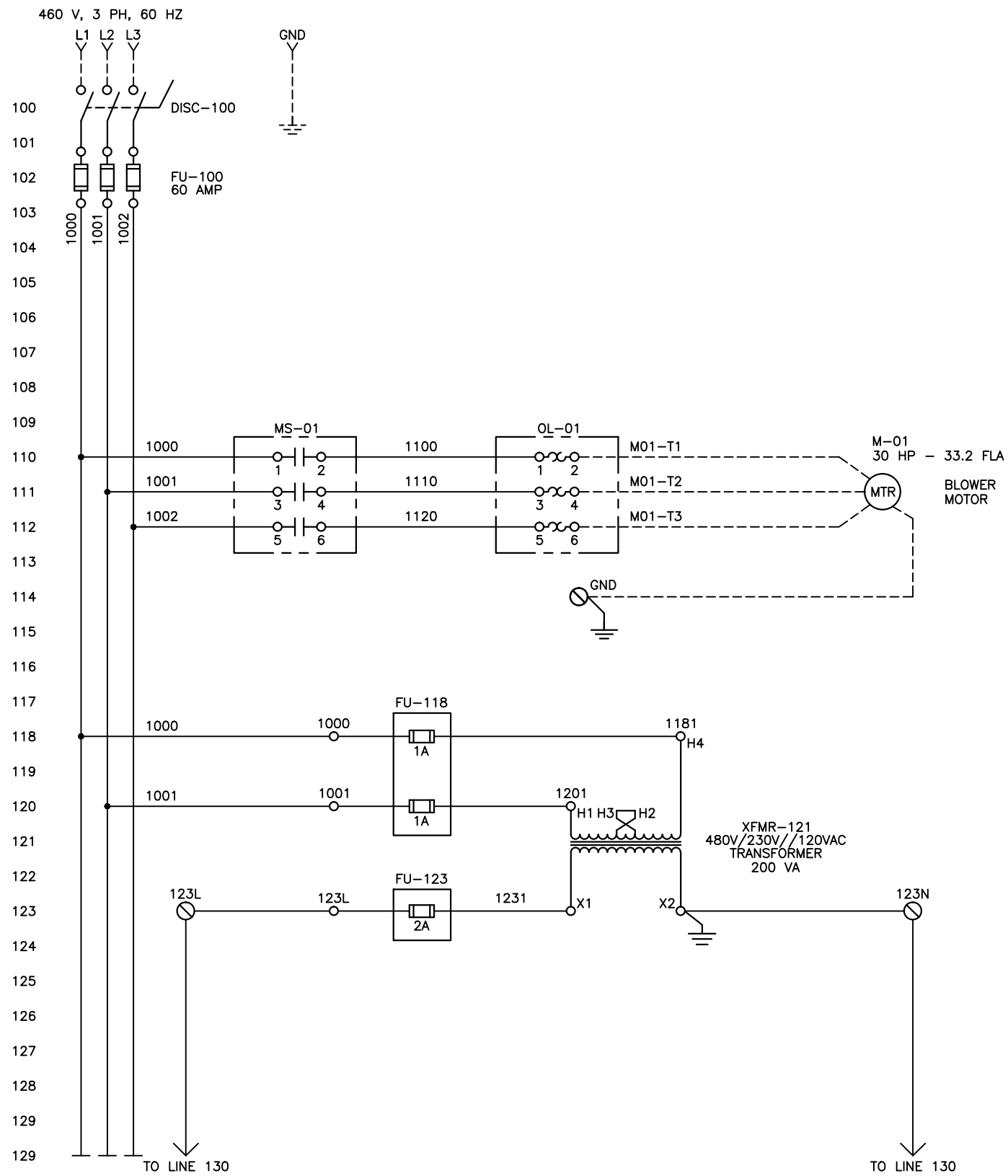
REV	ECN	DATE	BY	CHK	DESCRIPTION
-	-	-	-	-	-



avani
environmental®

95 Cypress Dr.
Youngsville, NC 27597
Phone: 919-570-2862
www.avanienvironmental.com

DRAWN BY JX	DATE 7/25/13	CHKD BY JX	DATE 7/25/13	SHOP NO. 15722-001	SCALE 1:20
TITLE TCF 30 TCBI FAN W/ ACCESSORIES			DRAWING NO. BC 500055		
SHEET 1 OF 1		ITEM -	REV. -		



NOTE: WIRE THE NUMBER OF SOLENOID PER PROVIDED UNIT. SHOWN WITH THE MAXIMUM NUMBER OF SOLENOID WIRED.

THIS DRAWING IS CONFIDENTIAL PROPERTY OF ENGINEERING FIRM. DO NOT DUPLICATE IN ANY TYPE WITHOUT PROPER WRITTEN PERMISSION. IF YOU ARE NOT THE INTENDED CLIENT PLEASE DESTROY THIS DOCUMENT.			DUST COLLECTOR BLOWER PACKAGE 480VAC, 3 PHASE - 30 HP WITH DUST COLLECTOR TIMER CONTROLLER		
REV.	DESCRIPTION	DATE	FILE PATH: c:\clients\	CLIENT	PLOT DATE: 01/01/04
1	CREATED	7/28/08		AVANI ENVIRONMENTAL	DRAWING NUMBER 30 HP 100
			DRAWN BY: ECS	DATE: 7/28/08	DRAWING SCALE NONE
			CHECKED BY: ECS	DATE: 7/28/08	PROJECT NUMBER