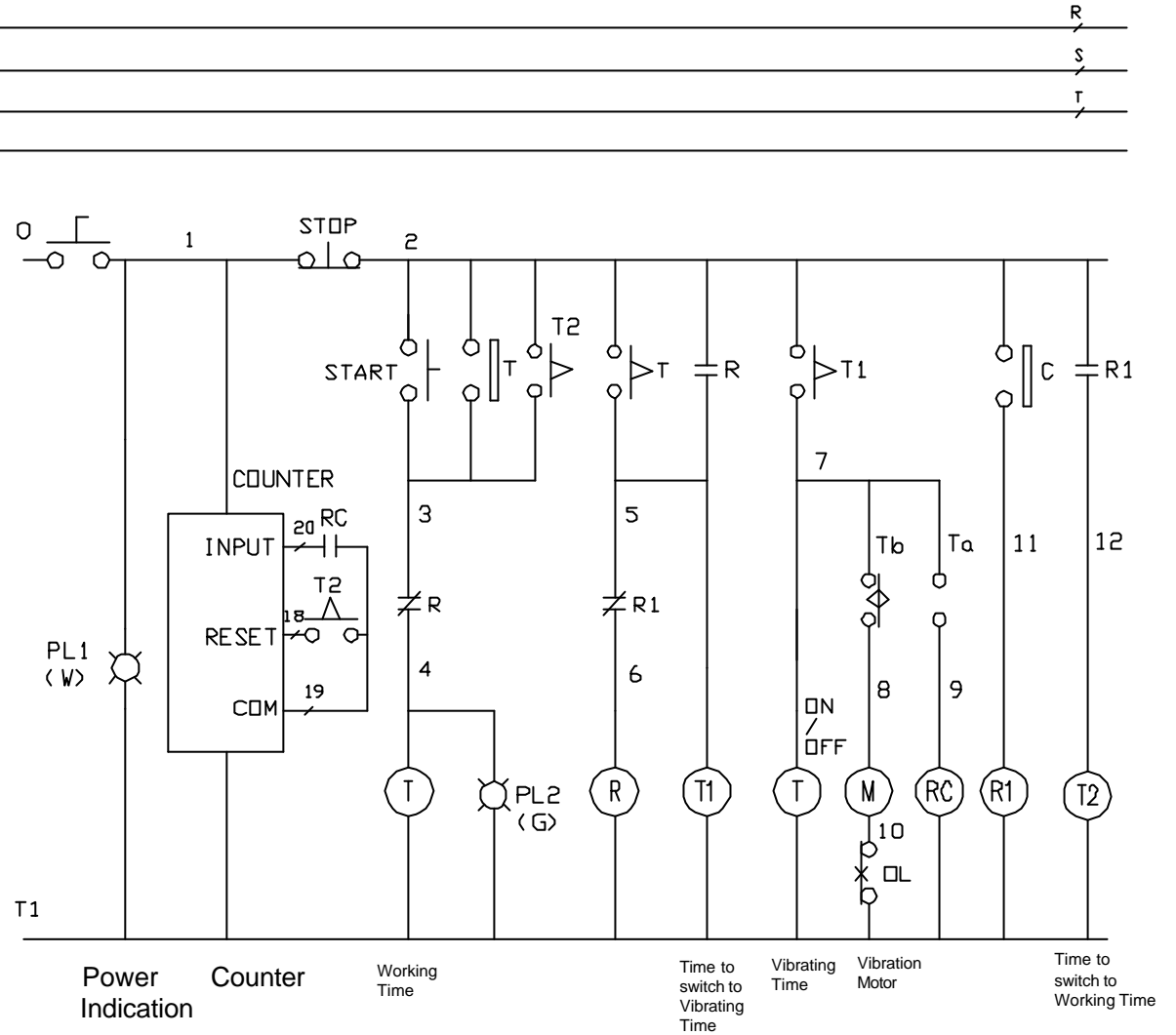
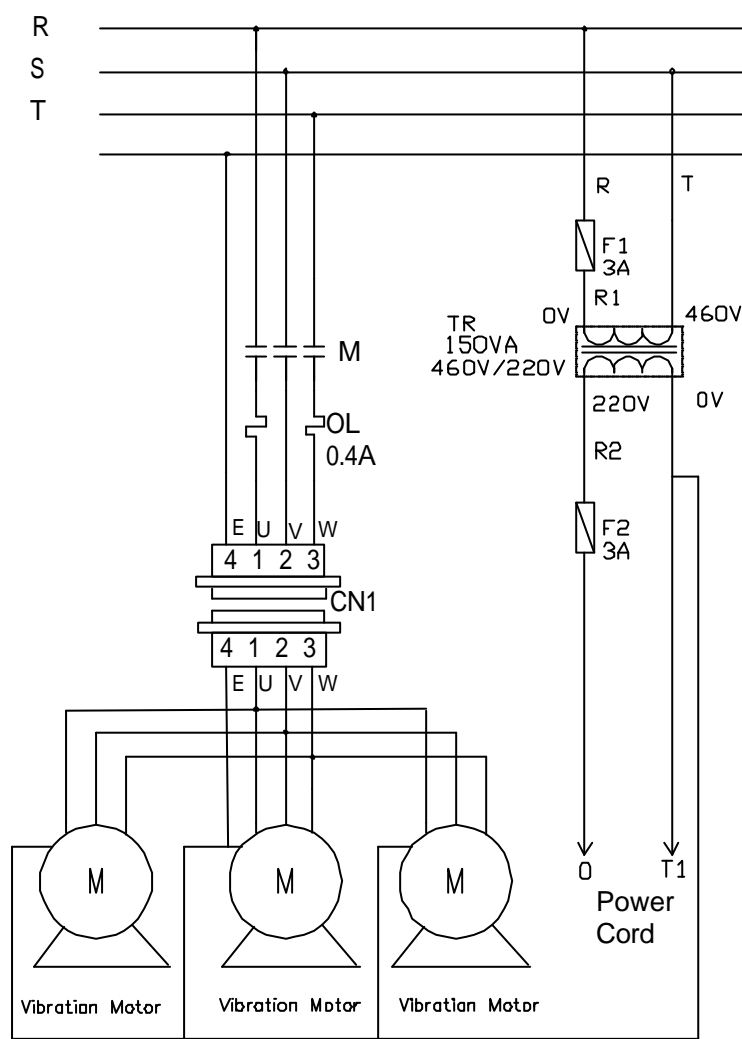
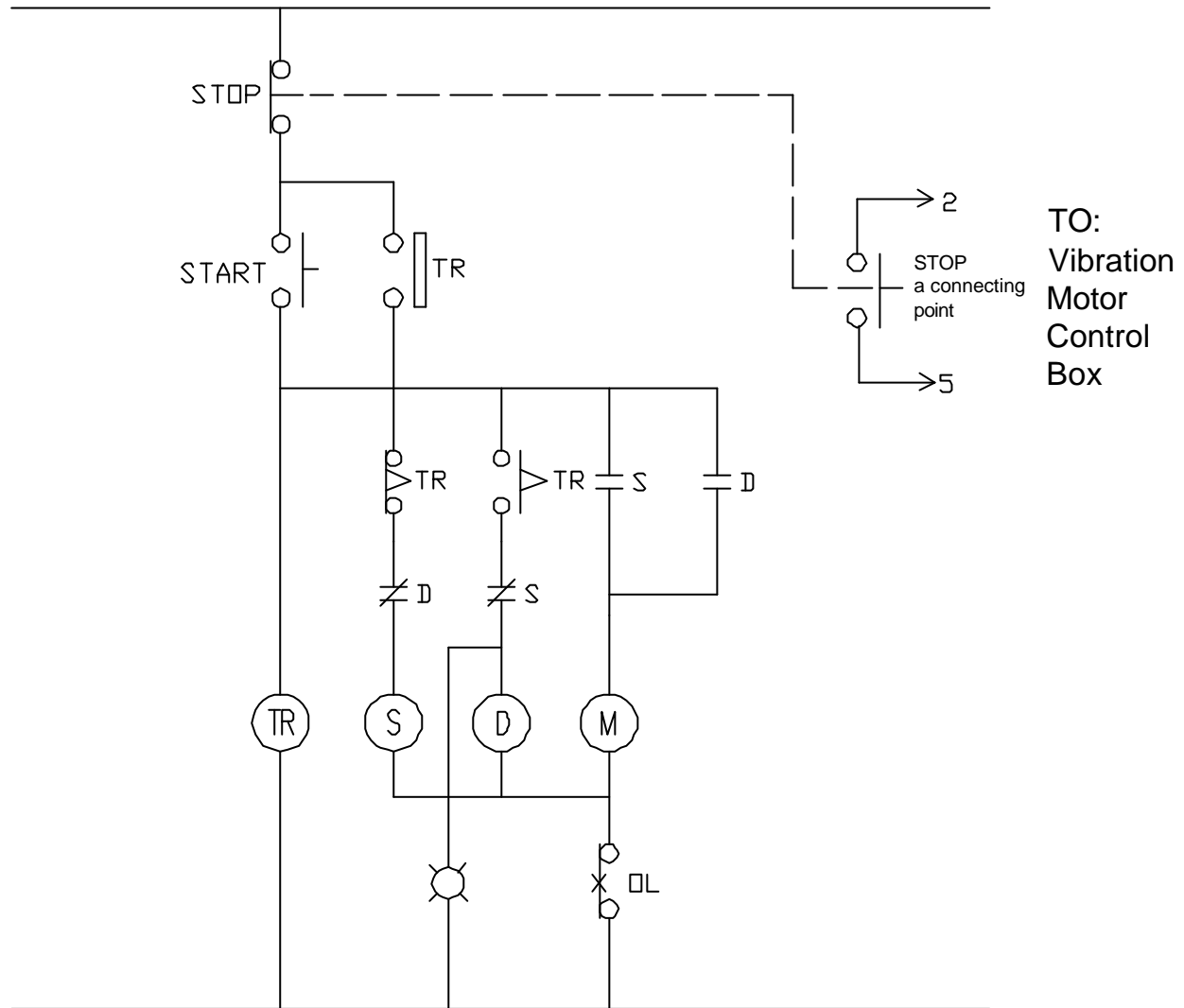


RC-05 SCHEMATICS DRAWING I

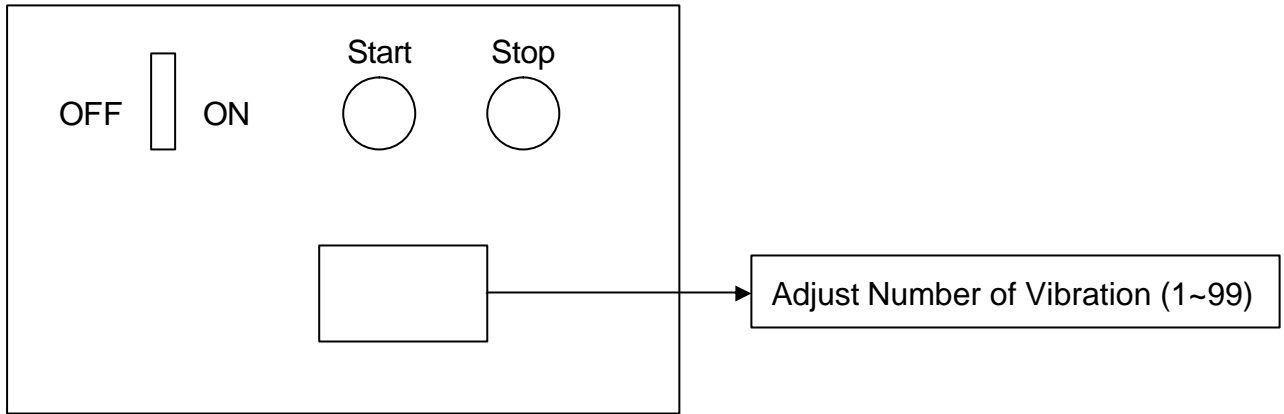


MAIN UNIT SCHEMATICS DRAWING II

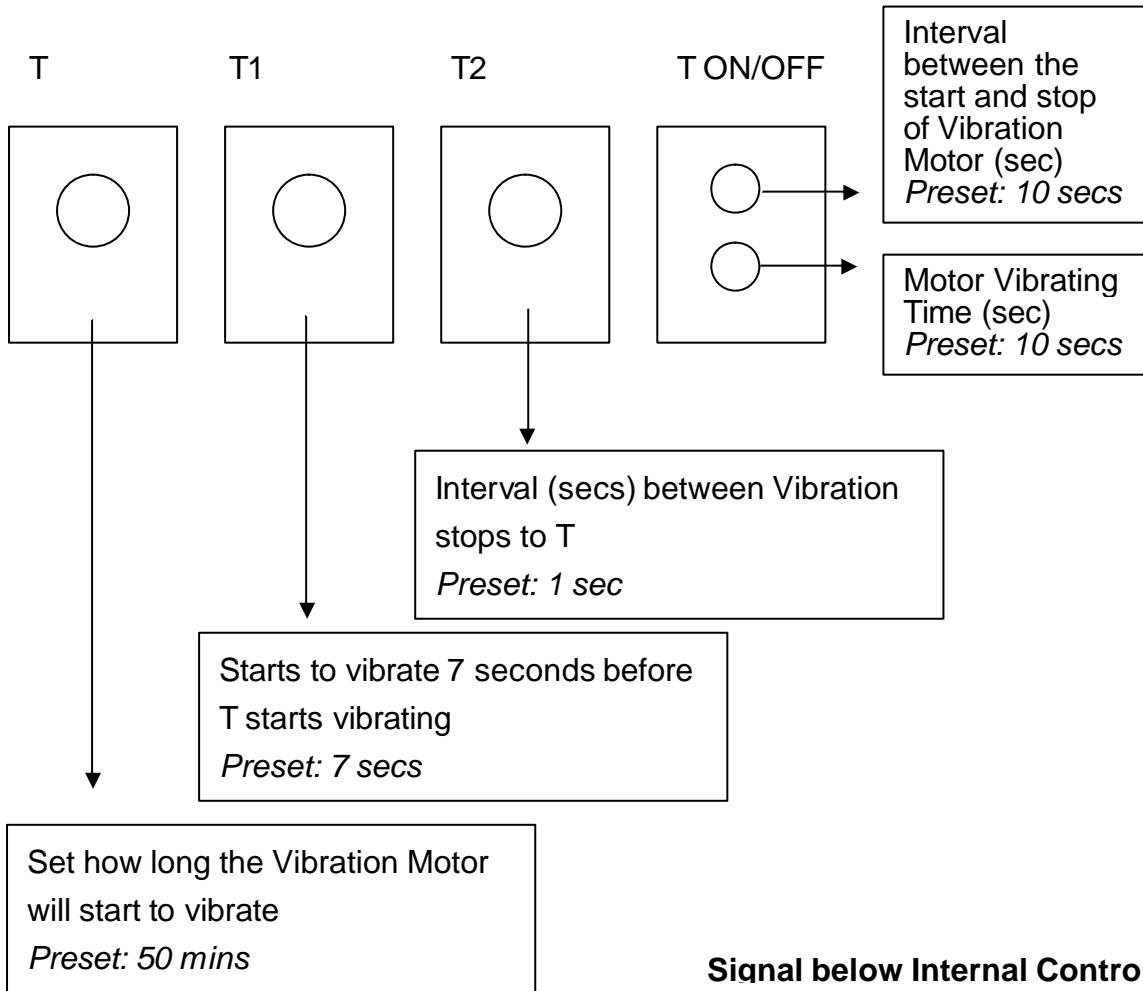


RC-05 CONTROL BOX DRAFT DRAWING III

External Control Box



Internal Control Box



Signal below Internal Control Box

