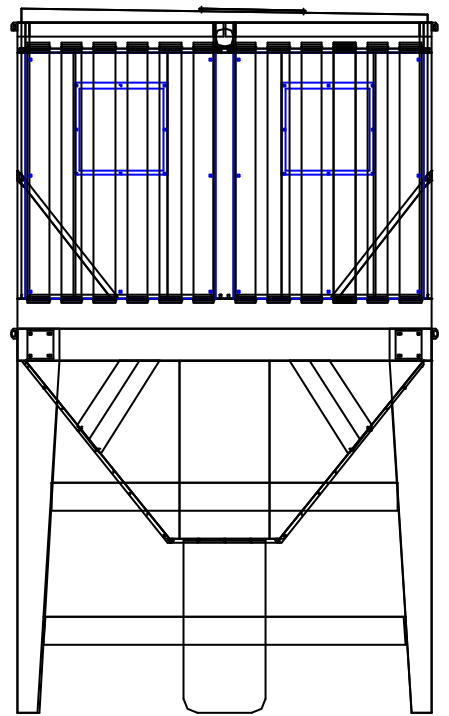
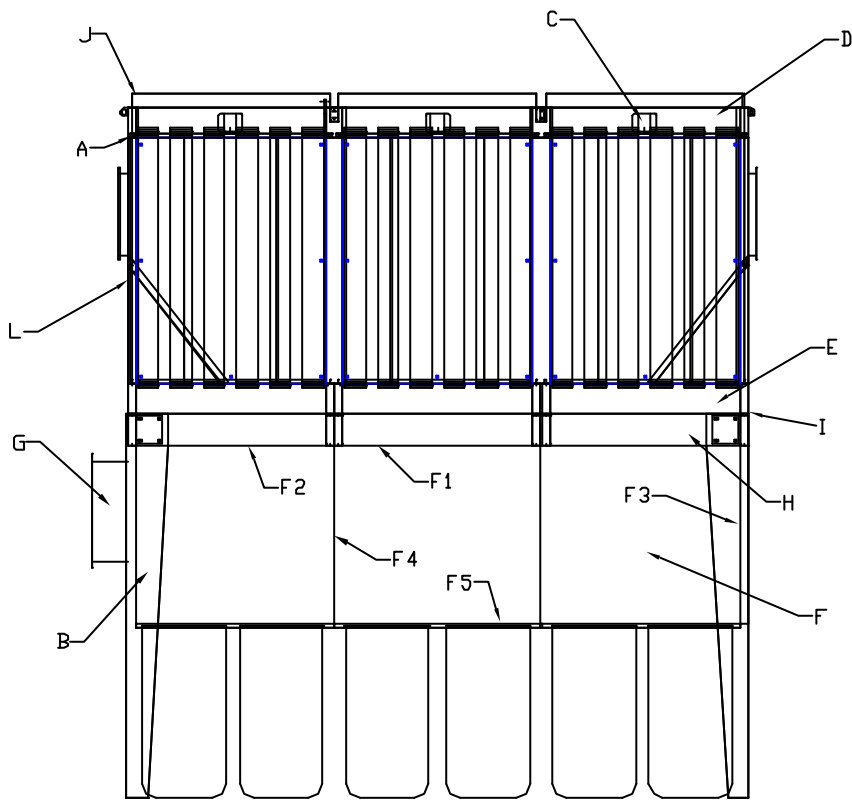
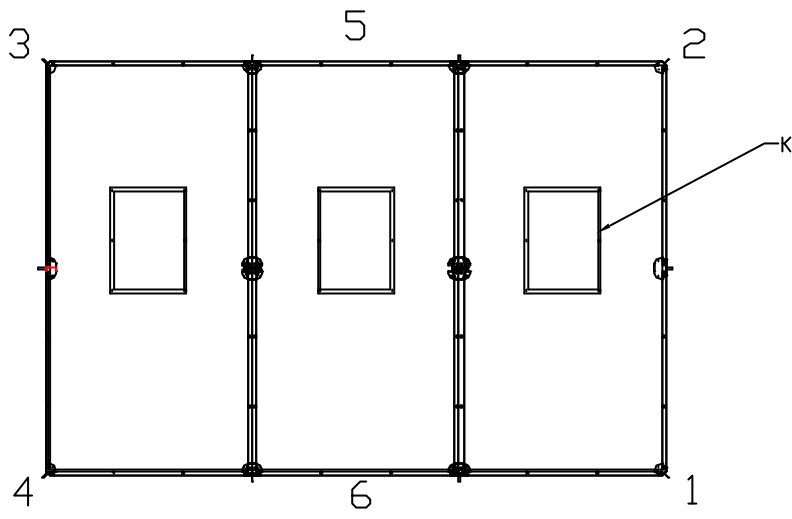


RC-05 PARTS ASSEMBLY



Shipment Packing List

Carton No.	Content	Q' ty
21-1 (1 OF 5)	Filter Frame Outer Door	6
	Filter Frame Side Door	2
	Upper Cover Frame Connecting Shaft – 1	4
	Filter Frame Supporting Shaft	6
	Lower Frame Supporting Plate	2
	Hopper – Lower Fixing Shaft – 1	4
	Filter Frame Connecting Shaft	3
21-2 (2 OF 5)	Ø6" Filter Frame – Upper	6
	Hopper Skew Boards (Front & Back) – 1	2
	Hopper Skew Boards (Front & Back) – 2	2
	Hopper Skew Boards (Front & Back) – 3	2
	Hopper Lower Board	1
21-3 (3 OF 5)	Upper Frame	3
	Filter Frame Side Door	1
	Ø152mm Filtering Bag	72
	Upper Cover Frame – 4	4
	Upper Cover Frame – 1	8
	Upper Cover Frame – 3 (Ref # 6)	1
	Stand – 1	2
	Stand – 2	2
	Filter Frame Support – 1 (Ref # 1, 2, 3, 4)	4
	Filter Frame Support – 2	6
	Filter Frame Support – 3	2 sets
	Upper Cover Skew Board (Outer Door)	3
	Stand Horizontal Shaft – 1	2
Stand Horizontal Shaft – 2	2	

21-4 (4 OF 5)	Lower Frame	3
	Upper Cover Frame – 2 (Ref # 5)	1
	Inlet Connector	1
	Hopper Skew Board – L	1
	Hopper Skew Board – R	1
	Ø152mm Filtering Bag	144
	Ø595mm Clamp	6
	Control Box	1
	Vibration Motor	3
	Hardware Kits Box (Ref No. A ~ L)	1
	Handle for Filter Frame Outer Door	2
	Ø600mm Plastic Bag	18
	Silicon Glue	2
Silicon Gun	1	
21-5 (5 OF 5)	Upper Cover Skew Board	3
	Filter Frame Side Door	1
	Hopper Lower Board	3

Hardware Kit Package List

PART NAME	SPECIFICATION	Q' ty							For USE OF	Hardware Kit Ref No.
RC-03-032	Aseismatic Support	24			PU				030 011*26	A
Hex Screw	3/8"*2"	24							Aseismatic Support	
Hex Lock Nut	3/8"	24							Aseismatic Support	
Flat Washer	3/8"*OD23*2t	48							Aseismatic Support	
Hex Screw	5/16"*3/4"	15							Filter Frame Connecting Shaft	
Flat Washer	5/16"*OD18*2t	30							Filter Frame Connecting Shaft	
Hex Nut	5/16"	15							Filter Frame Connecting Shaft	
Hex Screw	3/8"*1"	32							Stand	
Flat Washer	3/8"*OD23*2t	32							Stand	
Hex Screw	5/16"*1-1/2"	16							Stand Horizontal Shaft	
Flat Washer	5/16"*OD23*2t	32							Stand Horizontal Shaft	
Hex Nut	5/16"	16							Stand Horizontal Shaft	
Hex Screw	5/16"*1-1/4"	12							Vibration Motor	C
Flat Washer	5/16"*OD23*2t	24							Vibration Motor	
Hex Nut	5/16"	12							Vibration Motor	
Hex Screw	5/16"*3/4"	68							Upper Cover Frame	D
Flat Washer	5/16"*OD23*2t	68							Upper Cover Frame	
Hex Screw	5/16"*3/4"	78							Upper Cover Frame / Supporting Shaft	E
Flat Washer	5/16"*OD18*2t	156							Upper Cover Frame / Supporting Shaft	
Hex Nut	5/16"	78							Upper Cover Frame / Supporting Shaft	
				F1	F2	F3	F4	F5	F1 Seal Board / Lower Frame	F
Hex Screw	5/16"*3/4"	68	32	72	54	20			F2 Lower Frame Supporting Board	
Flat Washer	5/16"*OD18*2t		48						F3 Skew Board (L & R)	
Flat Washer	5/16"*OD23*2t	68		72	54	20			F4 Side Skew Boards	
Hex Nut	5/16"		8						F5 Hopper Lower Board	

PART NAME	SPECIFICATION	Q' ty						For USE OF	Hardware Kit Ref No.
Hex Screw	3/8"*1"	28						Inlet	G
Flat Washer	3/8"*OD23*2t	42						Inlet	
Hex Nut	3/8"	14						Inlet	
Hex Screw	5/16"*3/4"	60						Lower Frame	H
Flat Washer	5/16"*OD18*2t	120						Lower Frame	
Hex Nut	5/16"	60						Lower Frame	
Hex Screw	5/16"*1"	168						Upper & Lower Frame Combo	I
Flat Washer	5/16"*OD23*2t	168						Upper & Lower Frame Combo	
Hex Screw	5/16"*3/4"	68						Upper Cover	J
Flat Washer	5/16"*OD23*2t	68						Upper Cover	
Ring Hex Screw	5/16"*1-1/2"	18						Upper Cover Skew Board Outer Door	K
Flat Washer	5/16"*OD23*2t	18						Upper Cover Skew Board Outer Door	
Hex Nut	5/16"	18						Upper Cover Skew Board Outer Door	
Handle		3						Upper Cover Skew Board Outer Door	
Inner Hex Screw	5/16"*3/4"	6						Upper Cover Skew Board Outer Door	
Flat Washer	5/16"*OD23*2t	6						Upper Cover Skew Board Outer Door	
Hex Nut	5/16"	6						Upper Cover Skew Board Outer Door	
Hex Screw	3/8"*3/4"	20						Filter Frame Outer Door	L
Inner Hex Screw	3/8"*2"	4						Filter Frame Outer Door	
RC-05-001	Ø152*2250 Filter Bag	216						1 Micron Filter Bag	
RC-03-035-1	Ø595 Bag Clamp	6						1 Micron Filter Bag	
	Ø600 Plastic Bag	18							